

**Dulwich Extending Table** by Matthew Hilton





## Dulwich Extending Table by Matthew Hilton

The Dulwich Table is an elegant extending table designed by Matthew Hilton.

The solid wood legs and underframe supports the generous width top, while still remaining a light and smart aesthetic.

The extending leaves are cleverly stored inside the table, which one person can easily get to due to the smooth-gliding metal runners with ball bearings.

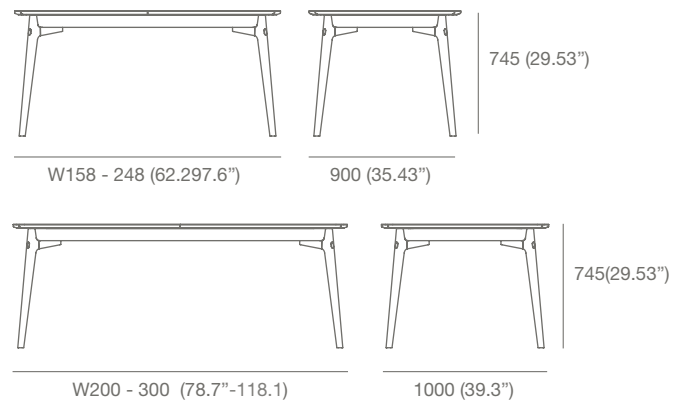
### Key Features

- Sturdy extending table which sits up to 12 people
- Mechanical extension runners for ease of use
- Two extension leaves are stored inside the table and can be used singularly
- Suitable for contract use
- Made in Europe

### Technical / Construction

- Solid wood legs and under frame
- Veneered top and leaves
- Felt lining in the under frame leaf storage area
- Mechanical bearing extension system
- Clear polyurethane lacquer
- Part assembly required - minimum 2 people

### Dimensions



### Available Finishes

