

COBRA // WALL LAMP, UK MODEL

GROSSMAN COLLECTION

Designed by Greta Grossman

PRODUCT



Item no.: 005-0620

+ style code:

- 1: Jet Black
- 5: Matt White

DESCRIPTION

The classic Cobra lamp takes its name from the shape of the oval shade, which is reminiscent of a Cobra's neck (or hood). A solid brass arm joins the wall base and shade. The shade can be tilted 90 degrees from vertical to horizontal and it can be rotated 360 degrees. The base cover and the shade is in powder-coated steel. A bracket for the mounting on the wall is integrated in the base. Switch integrated in the base.

VERSION - COBRA WALL LAMP

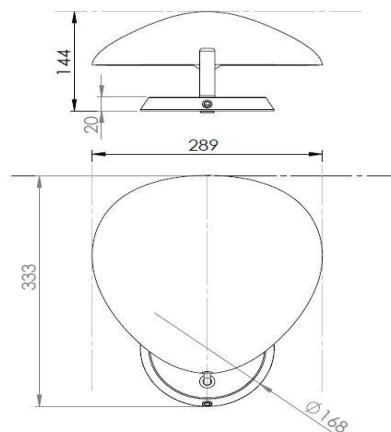
- Fabric wire - black:
- Jet Black / White inside // RAL 9005 / RAL 9003 // Gloss level 20 / Gloss level 20
- Fabric wire - white:
- Matt white / White inside // RAL 9003 / RAL 9003 // Gloss level 20 / Gloss level 20

VERSION - COBRA WALL LAMP

Order item - look for part number in the pricelist.

Series contains the following:

- GM1 GRÄSHOPPA
- GM2 COBRA TABLE
- GM3 COBRA FLOOR
- GRÄSHOPPA TASK TABLE LAMP
- GRÄSHOPPA PENDANT
- COBRA WALL LAMP



COLOURS



FACTS

MEASUREMENT - L x W x H mm

- Lamp height: 333 mm
- Lamp depth: 144 mm
- Wall base diameter: Ø168 mm
- Wall base height: 20 mm
- Shade height: 78 mm
- Shade depth: 289 mm
- Cable length, exposed: Approx. 2500 mm

WEIGHT ITEM - LAMP INCL. WIRE

1245 g

PACKAGING TYPE

Cardboard box

PACKAGING MEASUREMENT - L x W x H cm

L: 38 x W: 35 x H: 21 cm

WEIGHT PACKAGING - MATERIAL TYPE (recycleable)

- LD-EPE foam: 132 g
- EPE bag: 11 g
- PE polybag: 6 g
- Cardboard inside: 217 g
- Cardboard outside, Sply Corrugated: 748 g

WEIGHT INCL. PACKAGING - TOTAL

2359 g

NUMBER OF PARCELS

1 pcs.

Designed by Greta Grossman

ACCESSORIES

-

ENVIRONMENT

-

TESTS

-

CERTIFICATION AND LABELS

CE-CERTIFIED

SAFETY INSTRUCTIONS

If the cord or plug is damaged, unplug it from the socket with dry hands. Do not use the lamp until it is repaired by a qualified Electrician.

**Lightbulb not included*

**UK plug: Type G, 3 PIN, 13 amp, (BS 1363)*

**British voltage: 230-240 V*

**Frequency: 50 Hz*

**Supply voltage: AC power ~*

**Normally Closed: IP20*



Class II / Double insulated



CE-Mark



Luminaires accepted for mounting on a flammable base