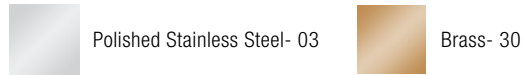


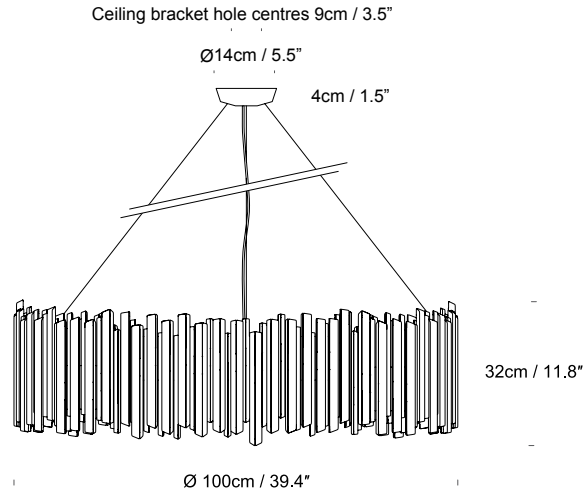
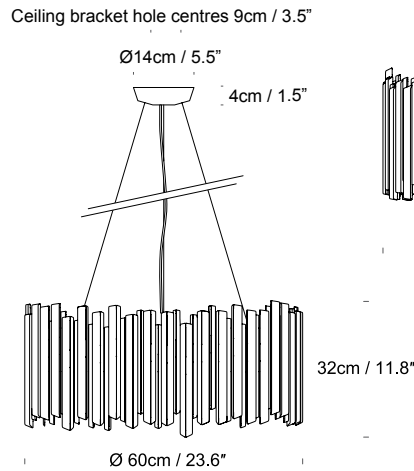
Product Category Pendant
Material Stainless Steel, Brass

*supplied with lightsource

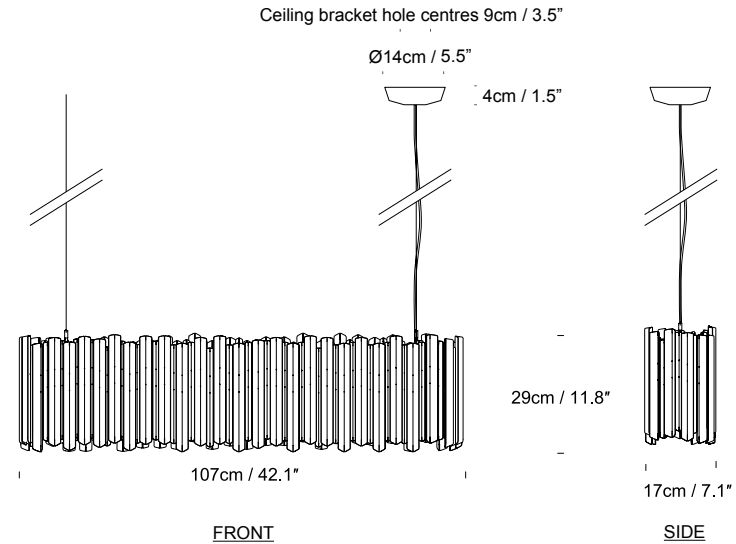
03- Polished Stainless Steel/ 30- Brass



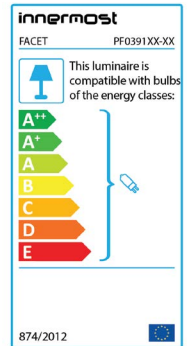
Facet 60
 UK/EU PF039140XX
 USA PF039340XX



Facet 100
 UK/EU PF039160XX
 USA PF039360XX



Facet LOZENGE 107
 UK/EU PF039161XX
 USA PF039361XX



SPECIFICATION	Lightsource	Cable	Ceiling Rose	Other
Facet 60 UK/EU PF039140XX USA PF039340XX	12 X G9 Recommended bulb: For 60, 100 and Lozenge use LED bulbs of around 300 - 350 Lumens output, dimmable	4m/ 157.5" Clear Cable	Colour matches pendant colour	Heavy product, handle with caution
Facet 100 UK/EU PF039160XX USA PF039360XX	24 X G9 Recommended bulb: For 60, 100 and Lozenge use LED bulbs of around 300 - 350 Lumens output, dimmable	4m/ 157.5" Clear Cable	Colour matches pendant colour	Heavy product, handle with caution
Facet LOZENGE 107 UK/EU PF039161XX USA PF039361XX	6 X G9 Recommended bulb: For 60, 100 and Lozenge use LED bulbs of around 300 - 350 Lumens output, dimmable	4m/ 157.5" Clear Cable	Colour matches pendant colour	Heavy product, handle with caution

 Temperature 2700K or below is recommended as the optimum for this fixture.

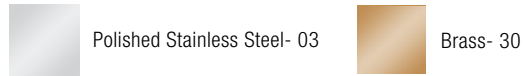


Facet by Tom Kirk

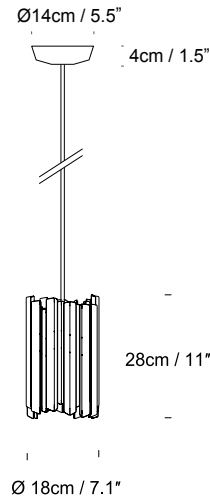
Product Category Pendant/ Wall Light
Material Stainless Steel, Brass

*supplied with lighthsource

03- Polished Stainless Steel/ 30- Brass

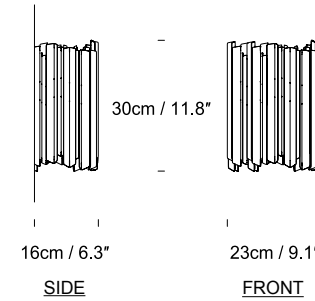


Ceiling bracket hole centres 9cm / 3.5"

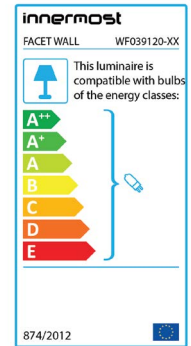
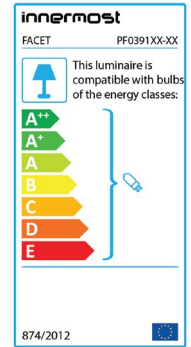


Facet 18
 UK/EU PF039110XX
 USA PF039310XX

Wall fixture Hole Centres 8.4cm / 3.3"



Facet WALL
 UK/EU WF039120XX
 USA WF039320XX



SPECIFICATION	Lightsource	Cable	Ceiling Rose
Facet 18 UK/EU PF039110XX USA PF039310XX	G9 Recommended bulb: G9 LED Bulb up to 350 Lumen output, dimmable.	4m/ 157.5" Clear Cable	Colour matches pendant colour
Facet WALL UK/EU WF039120XX USA WF039320XX	2 X G9 Recommended bulb: G9 LED Bulb up to 350 Lumen output, dimmable.	N/A	N/A

 Temperature 2700K or below is recommended as the optimum for this fixture.