

Four Leaves

design Edward Barber & Jay Osgerby / 2010

“Four Leaves is an intelligent product that will fit happily into any space, public or private. A coat stand should look fantastic both dressed and undressed, and it was with this in mind that we chose to avoid any functionalism or whimsy.

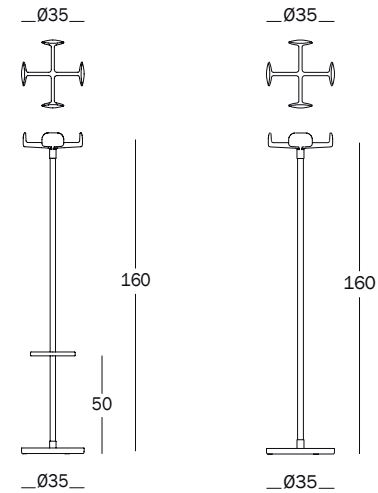
The project developed through hundreds of sketches and models, until we found the answer: a shape that was so simple it felt as though it had evolved rather than been designed. The ‘leaves’ hold coats perfectly, and the arms serve as little rails for hangers. The base, head and optional umbrella ring are in die-cast aluminium, while the pole is in extruded aluminium, giving the entire piece a natural polished or painted finish.”

Edward Barber & Jay Osgerby

materials /

base and coat hanger in die-cast aluminium, polished or painted.

Frame in aluminium tube, polished or painted.



colours /  



Polished



Black 5130