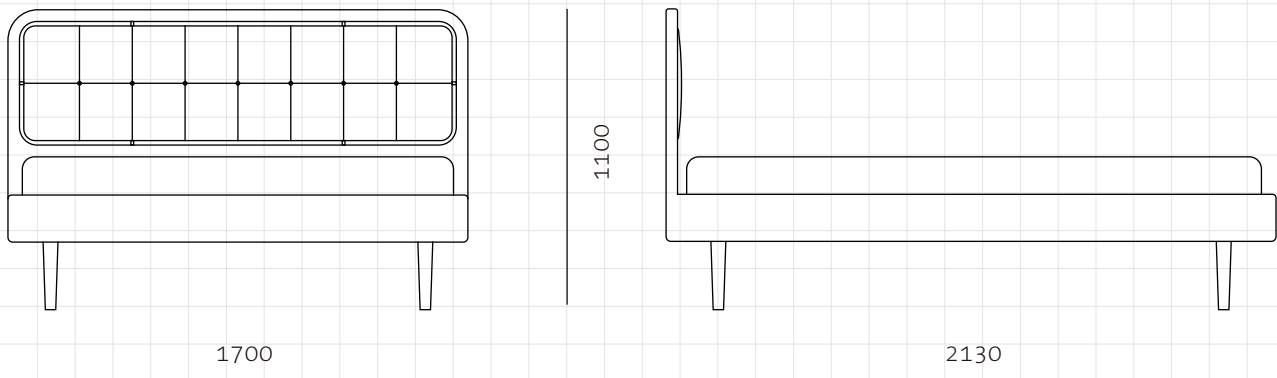


Dawn Bed Double Size



CODE

DA-B110-D

DIMENSIONS

W2130 x D1700 x H1100mm

NET WEIGHT

48.0 kg

ENVIRONMENT

Indoor

MATERIALS

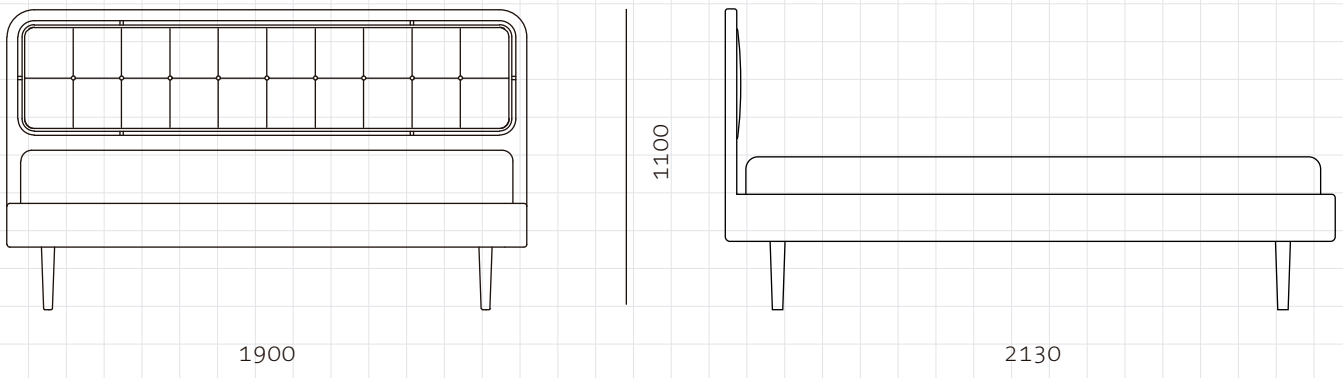
Stainless steel oil rubbed copper, steel black powder coat matt,
solid wood with veneer laminate frame, upholstery back

*Please refer to website or contact your local representative for complete material swatches.

SHIPPING

Package	Knock Down		
Package Qty	2 pcs/box		
Packaging	Measurement (mm)	Volume (cbm)	Gross Weight (kg)
FCL	W2080 x D240 x H280	0.14	23.07
	W1780 x D1100 x H320	0.63	35.46
LCL/AIR	W2120 x D280 x H370	0.22	29.97
	W1820 x D1140 x H410	0.85	59.56

Dawn Bed Queen Size



CODE

DA-B110-Q

DIMENSIONS

W2130 x D1900 x H1100mm

NET WEIGHT

52.0 kg

ENVIRONMENT

Indoor

MATERIALS

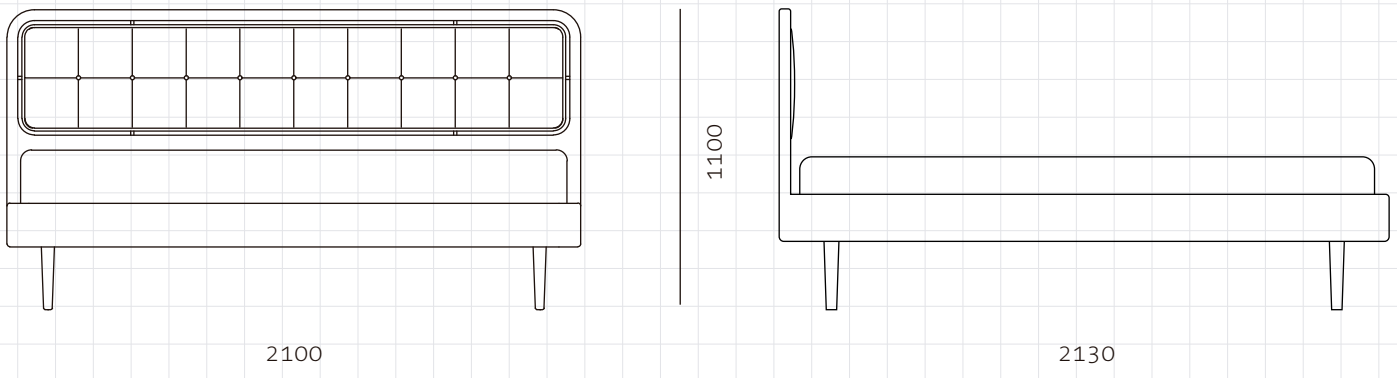
Stainless steel oil rubbed copper, steel black powder coat matt, solid wood with veneer laminate frame, upholstery back

*Please refer to website or contact your local representative for complete material swatches.

SHIPPING

Package	Knock Down		
Package Qty	2 pcs/box		
Packaging	Measurement (mm)	Volume (cbm)	Gross Weight (kg)
FCL	W2080 x D240 x H280	0.14	25.07
	W1980 x D1100 x H320	0.70	38.17
LCL/AIR	W2120 x D280 x H370	0.22	31.97
	W2020 x D1140 x H410	0.94	64.92

Dawn Bed King Size



CODE

DA-B110-K

DIMENSIONS

W2130 x D2100 x H1100mm

NET WEIGHT

56.0 kg

ENVIRONMENT

Indoor

MATERIALS

Stainless steel oil rubbed copper, steel black powder coat matt,
solid wood with veneer laminate frame, upholstery back

*Please refer to website or contact your local representative for complete material swatches.

SHIPPING

Package	Knock Down		
Package Qty	2 pcs/box		
Packaging	Measurement (mm)	Volume (cbm)	Gross Weight (kg)
FCL	W2080 x D240 x H280	0.14	27.07
	W2180 x D1100 x H320	0.77	40.88
LCL/AIR	W2120 x D280 x H370	0.22	33.97
	W2220 x D1140 x H410	1.04	70.28