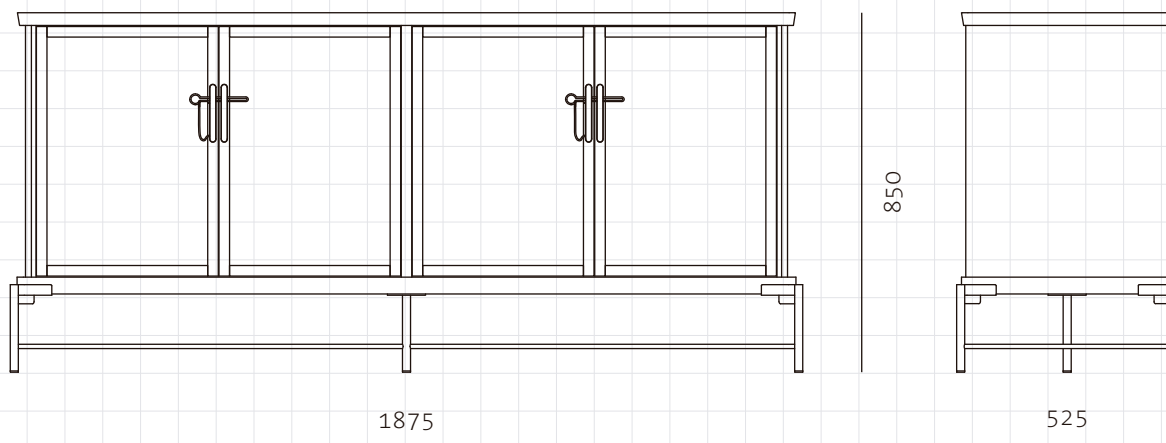


## Dowry Cabinet II



### CODE

DO-C120

### DIMENSIONS

W1875 x D525 x H850mm

### NET WEIGHT

104.5 kg

### ENVIRONMENT

Indoor

### MATERIALS

Solid wood with veneer panels, stainless steel hairline aged gold, tempered glass

\*Please refer to website or contact your local representative for complete material swatches.

### SHIPPING

<b>Package</b>	Assembled		
<b>Package Qty</b>	1 pcs/box		
<b>Packaging</b>	<b>Measurement (mm)</b>	<b>Volume (cbm)</b>	<b>Gross Weight (kg)</b>
<b>FCL/LCL/AIR</b>	W1990 x D640 x H1060	1.35	150.67