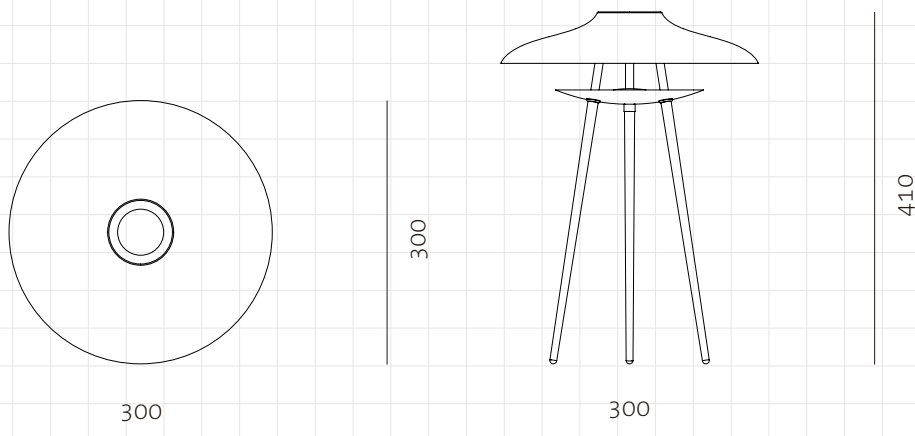


Haro Table Lamp



CODE	HA-TL110																
DIMENSIONS	Ø300 x H410mm																
NET WEIGHT	1.55 kg																
ENVIRONMENT	Indoor																
MATERIALS	Powder coated steel shade, brass plated stainless steel structure *Please refer to website or contact your local representative for complete material swatches.																
LIGHT SOURCE	LED integrated, dimmable LED 1-8w / 780lm																
DIMMING	dimmable LED 1-8W																
COLOR TEMPERATURE	2700k																
CABLE LENGTH	2m																
CERTIFICATIONS	ETL (24VDC, 0.5A) CE (24VDC, 0.5A) CCC (24VDC, 0.5A)																
SHIPPING	<table><tr><td>Package</td><td>Assembled</td><td></td><td></td></tr><tr><td>Package Qty</td><td>1 pcs/box</td><td></td><td></td></tr><tr><td>Packaging</td><td>Measurement (mm)</td><td>Volume (cbm)</td><td>Gross Weight (kg)</td></tr><tr><td>FCL/LCL/AIR</td><td>W585 x D360 x H370</td><td>0.08</td><td>3.29</td></tr></table>	Package	Assembled			Package Qty	1 pcs/box			Packaging	Measurement (mm)	Volume (cbm)	Gross Weight (kg)	FCL/LCL/AIR	W585 x D360 x H370	0.08	3.29
Package	Assembled																
Package Qty	1 pcs/box																
Packaging	Measurement (mm)	Volume (cbm)	Gross Weight (kg)														
FCL/LCL/AIR	W585 x D360 x H370	0.08	3.29														