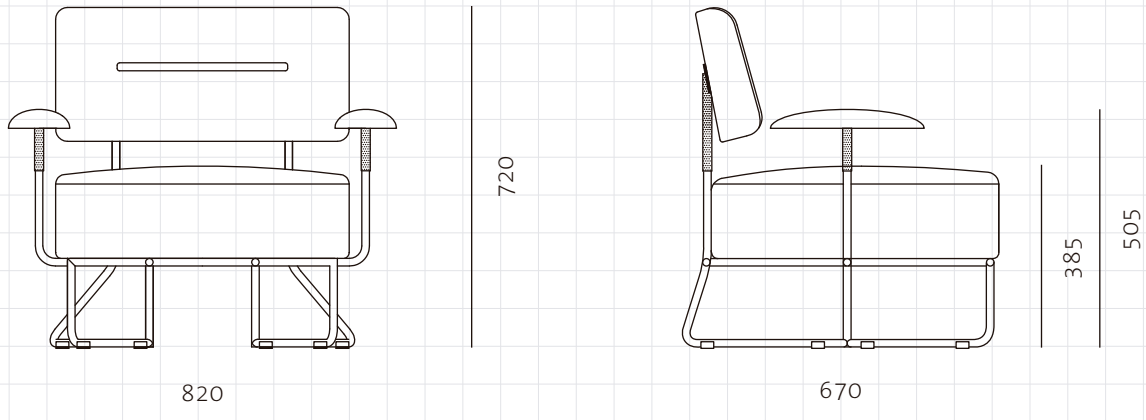


QT Chair



CODE
DIMENSIONS

QT-S121
W820 x D670 x H720mm
Seating height: 385mm

NET WEIGHT
ENVIRONMENT
MATERIALS

18.5 kg
Indoor
Stainless steel hairline gold & Steel black powder coat matt, Solid wood armrest, Upholstery
*Please refer to website or contact your local representative for complete material switches.

SHIPPING

| | | | |
|--------------------|-------------------------|---------------------|--------------------------|
| Package | Assembled | | |
| Package Qty | 1 pcs/box | | |
| Packaging | Measurement (mm) | Volume (cbm) | Gross Weight (kg) |
| FCL | W885 x D735 x H805 | 0.52 | 25.01 |
| LCL/AIR | W905 x D755 x H900 | 0.61 | 32.95 |