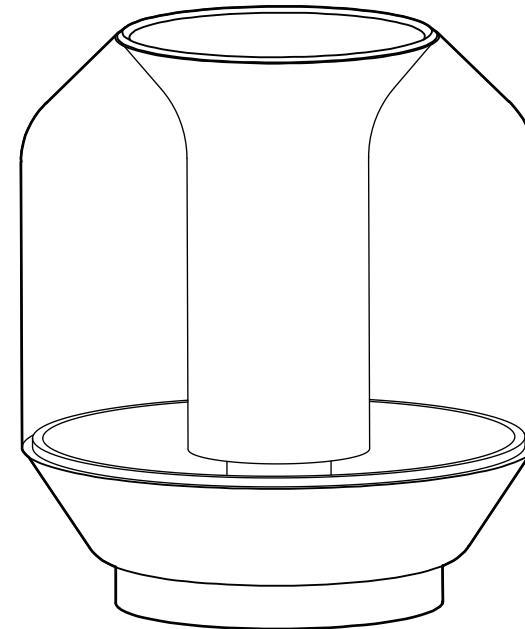


Lateralis

by Ben McCarthy



Innermost WEEE
registration number:
WEE/FH1713VS

SAFETY WARNINGS

Installation should only be undertaken by a qualified electrician.

To remove the UK converter plug, unscrew and open casing.

TECHNICAL INFORMATION

Lateralis - G9 MAX 25W (EU/UK)

Recommended bulb: Any G9 LED Bulb up to 500 Lumen output, dimmable, Temperature 2700-3000 Kelvin

CLEANING AND CARE

Switch off the luminaire before cleaning and relamping.

Take care when handling Lateralis' glass shade, especially during assembly.

Use a lint free non-abrasive cloth to keep your Lateralis clean.

innermost

LATERALIS

LL099127



This luminaire is compatible with bulbs of the energy classes:

A⁺⁺

A⁺

A

B

C

D

E



874/2012



For further information, please contact:
info@innermost.net

www.innermost.net
OXO Tower Wharf Bargehouse Street London

INSTALLATION GUIDE FOR:

Lateralis UK/EU

Amber & Opal - LL099127

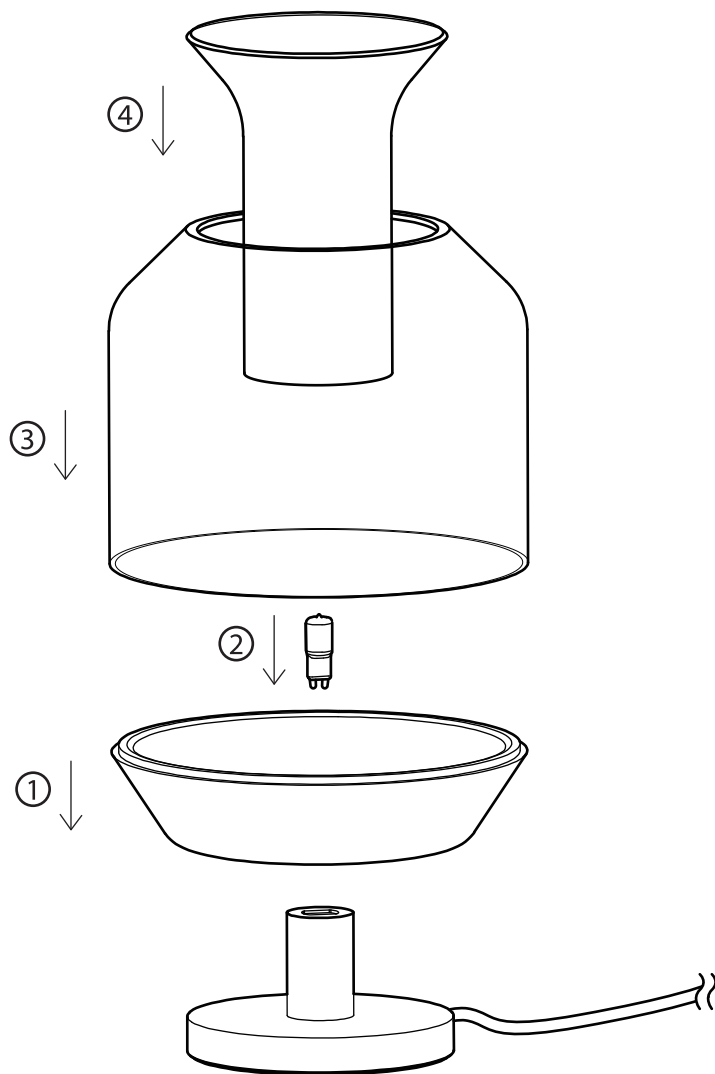
innermost[®]

Lateralis

by Ben McCarthy

The glass shade in this product is mouth blown by craftsmen in the Czech Republic. Small variations in colour and some bubbles are an unavoidable part of this ancient artisan craft.

WARNING - GLASS - HANDLE WITH CARE
Take care when handling the glass shades to avoid the edges getting chipped or damaged. Particular attention should be taken when unpacking and assembling the light. For cleaning always place the glass shades individually on a protected flat surface.



Remove converter plug
for NON UK only

