

User instructions



Drip HW58-HW60

Hee Welling

2021

Congratulations with your new Drip table, designed in 2021 by Hee Welling. We hope you will enjoy using this product and follow these instructions to ensure correct assembly. If you have any questions or comments, please do not hesitate to contact us by mail on:

info@andtradition.com

Drip HW58-HW60 Hee Weeling 2021

Please read these instructions carefully and retain them for future reference to ensure that the product is used correctly. For your own safety, please study each step of this instruction manual first. &Tradition is not responsible for any faults or damages caused by not following these instructions correctly. Do not modify this product in any way.

Contents

- A Tabletop
- B Legs x 4
- C Corners x 4
- D Long frames x 2
- E Short frames x 2
- F Flat head hex screws x 16
- G Short button screws x 16
- H Long button screws x 8
- I Allen key x 3
- J Cover component x 4
- K Hex socket head cap screws x 8

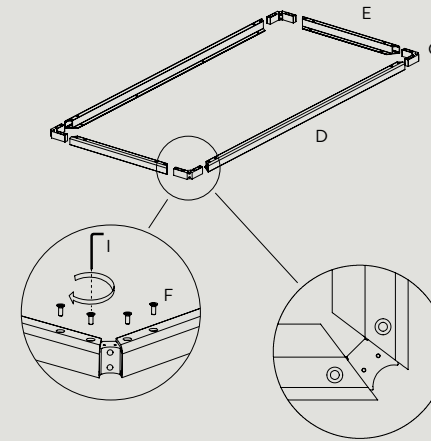
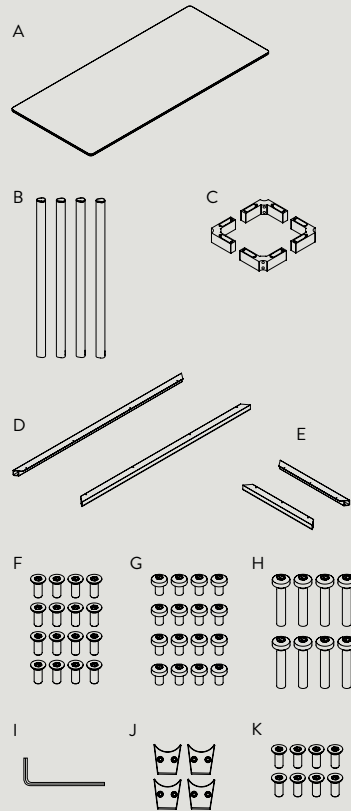
Safety precautions

- Dispose of plastic bag from packaging and do not allow children to play with it.
- The table is only intended for indoor use.
- Handle tabletop with care in order not to scratch surfaces.
- Two or more adults are required when lifting the table.

Cleaning instructions

Laminate can be cleaned with a soft cloth wrung in a mild solution of lukewarm water and an universal cleaning detergent. Always wipe with a dry soft cloth after cleaning. For difficult stains such as coffee or tea use a nylon bristle brush with mild household cleaner or detergent, rinsing with clean water and repeating as necessary. Rinse thoroughly with water.

Aluminium (powder coated or polished) can be cleaned using a soft cloth wrung in lukewarm water. Always dry immediately with a soft cloth. Avoid use of abrasive cleaning products such as steel wool as this will cause damage to the surface.

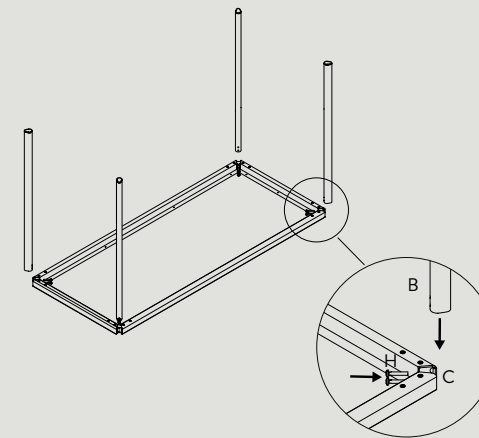


NB! Make sure the holes on the corner (C) are facing up.

Step 1

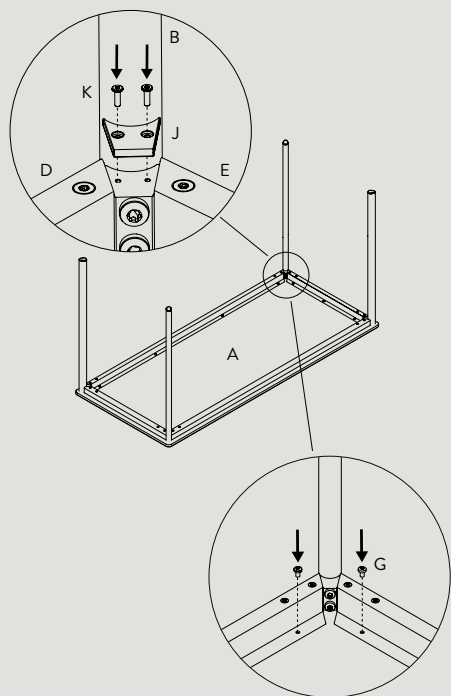
Insert the corners (C) into the frames (D & E) as shown and attach them with screw (F). The 2 small holes on the corners (C) must be facing upwards, see illustration.

Important: Install only the screws slightly and then finally tighten all of them.



Step 2

Place the leg-section on the frame upside down and align all four legs in each corner (C). Install two long button screws (H) in each corner to connect them.



Step 3

Place the cover components on each of the 4 corners (C) and attach them with screws (K).

Step 4

Place the tabletop (A) upside down on a soft, flat surface and place the frame on top, upside down.

Important: Install only the screws (G) slightly and then finally tighten all of them to secure correct fit.

Finally, flip the table and enjoy your product.