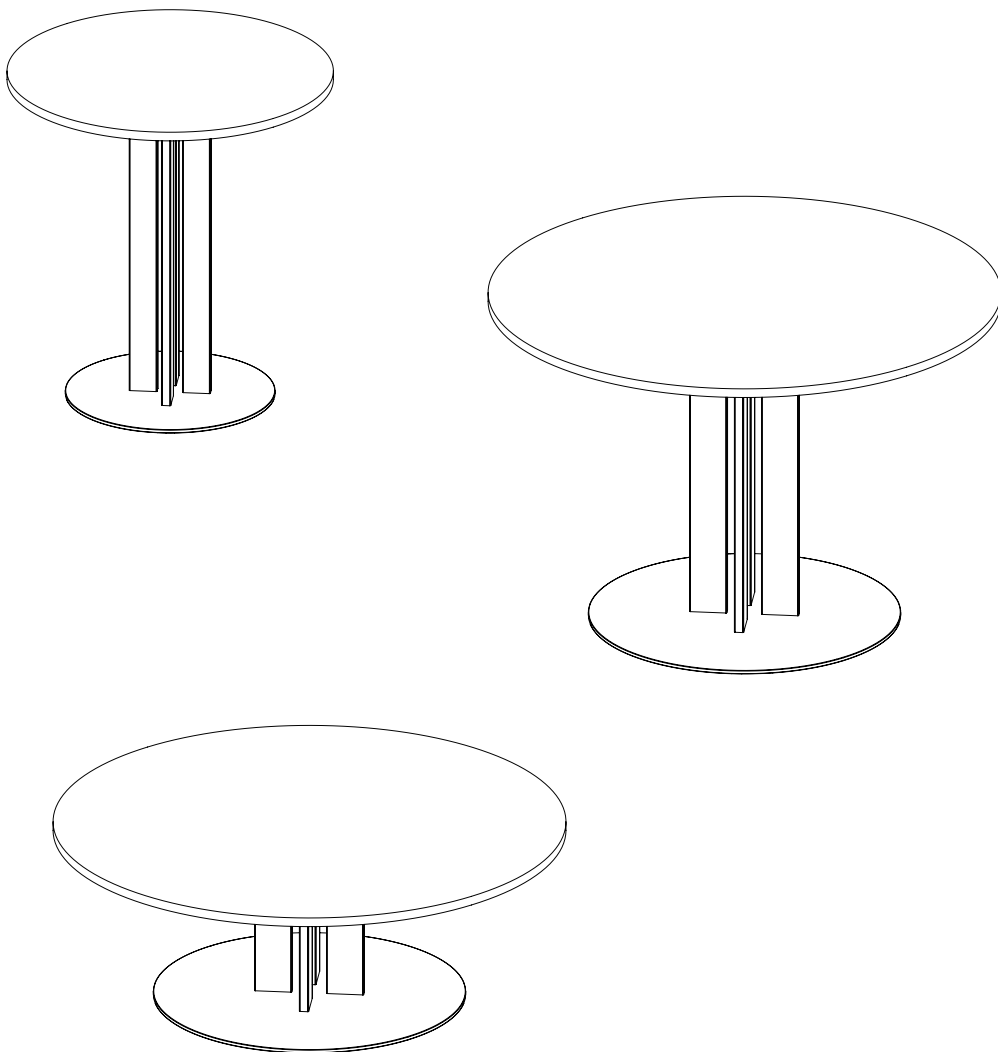


# Scala Table

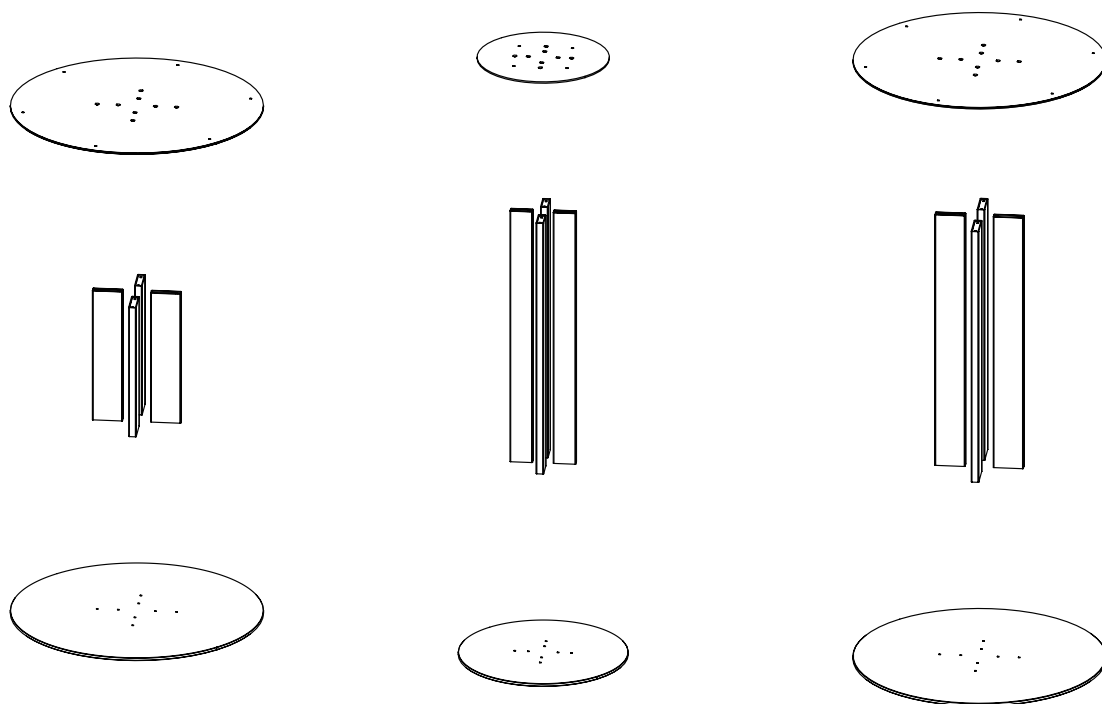
## Assembly instructions



**normann**

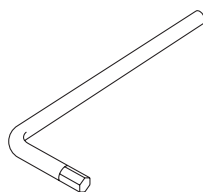
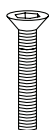
C O P E N H A G E N

1



**A**

**B**



x16

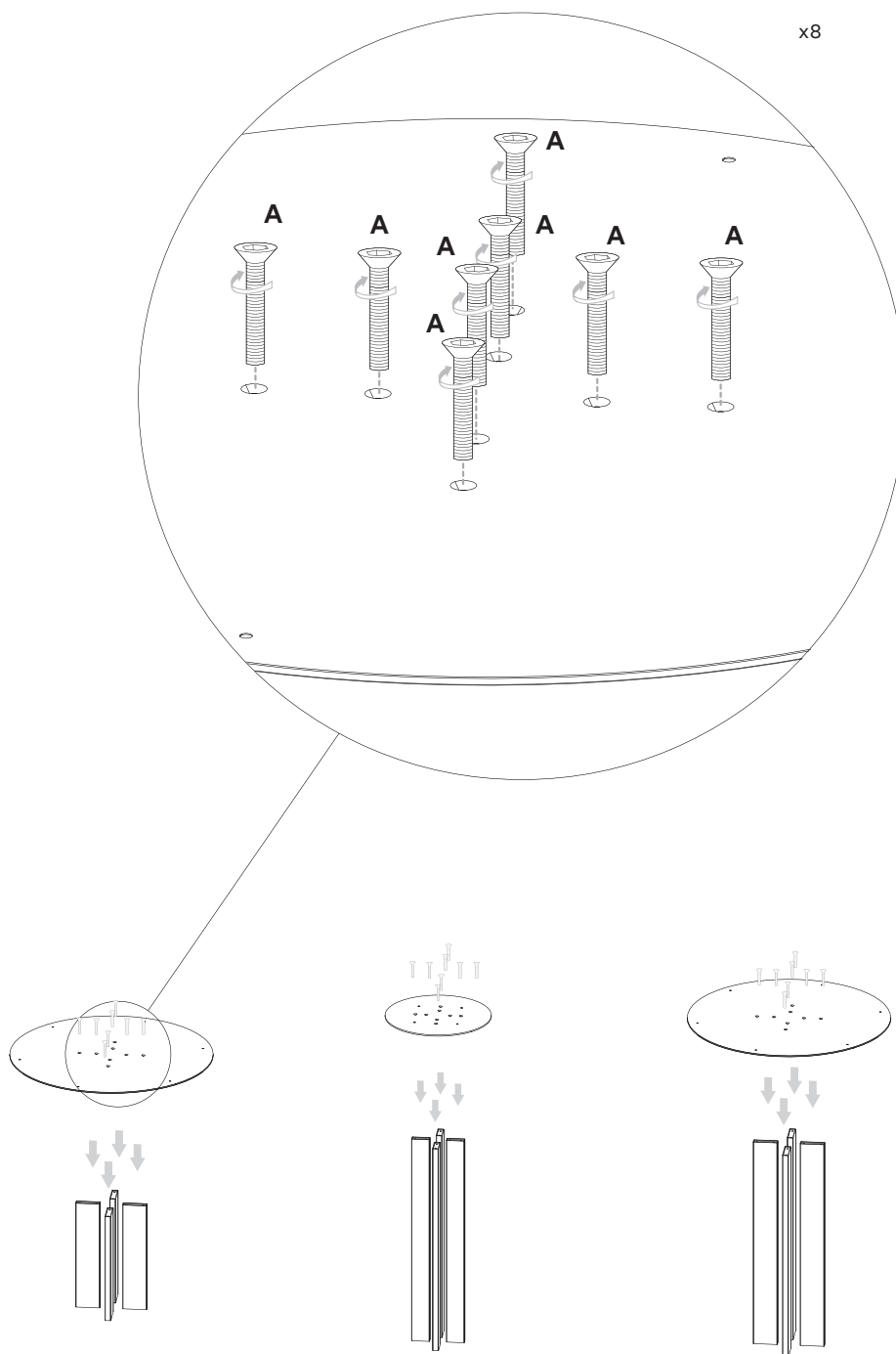
x6 /x4

x1

**normann**

C O P E N H A G E N

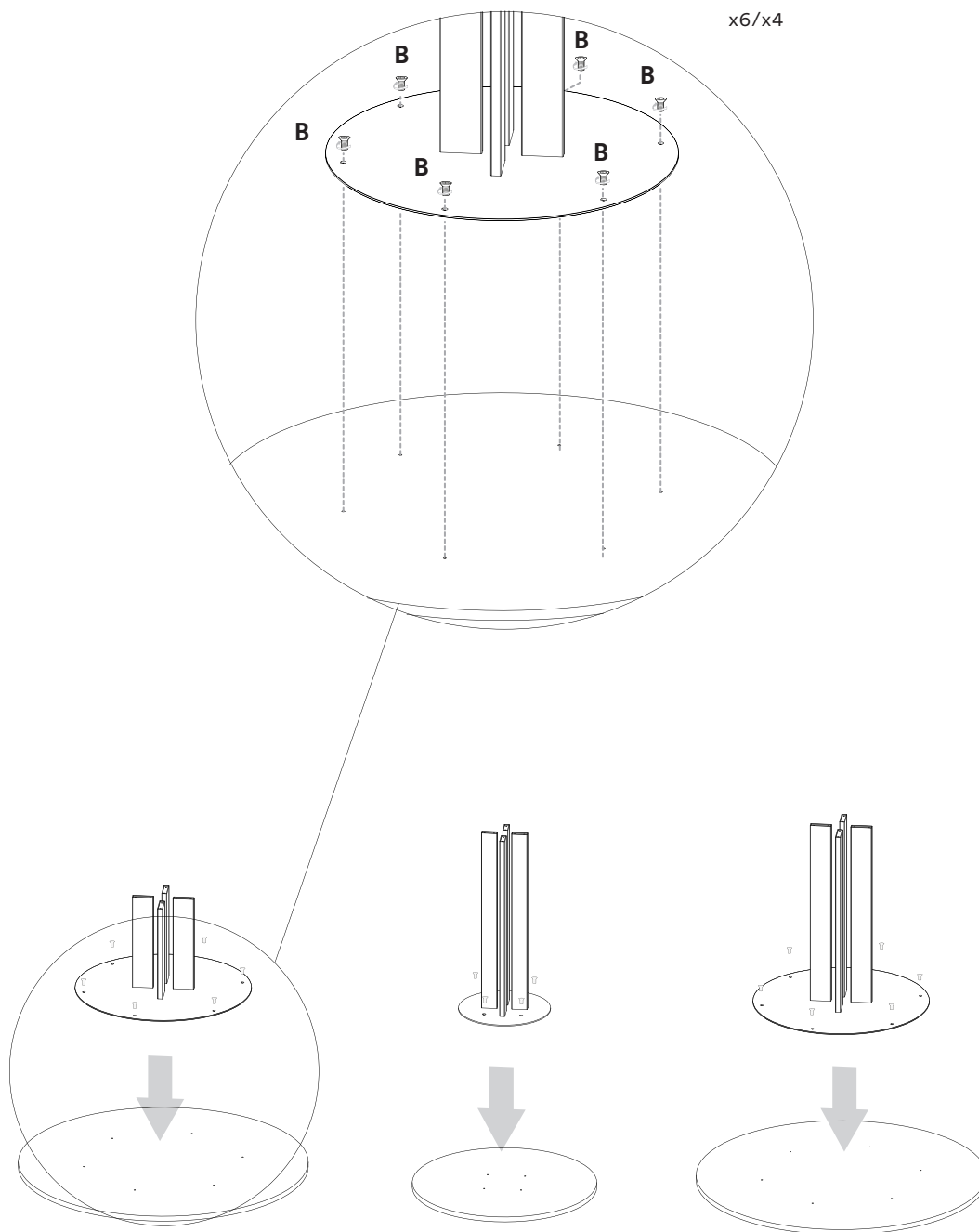
2



**normann**

C O P E N H A G E N

3



**normann**

C O P E N H A G E N

4

