

Care Instructions

Ballet Bench 1.9m

Ballet Bench 1.9m – designed by Matthew Hilton

To prolong the life of the product and retain its appearance and functionality, we would like to give you some relevant information and care advice:-

This unit is manufactured from solid oak.

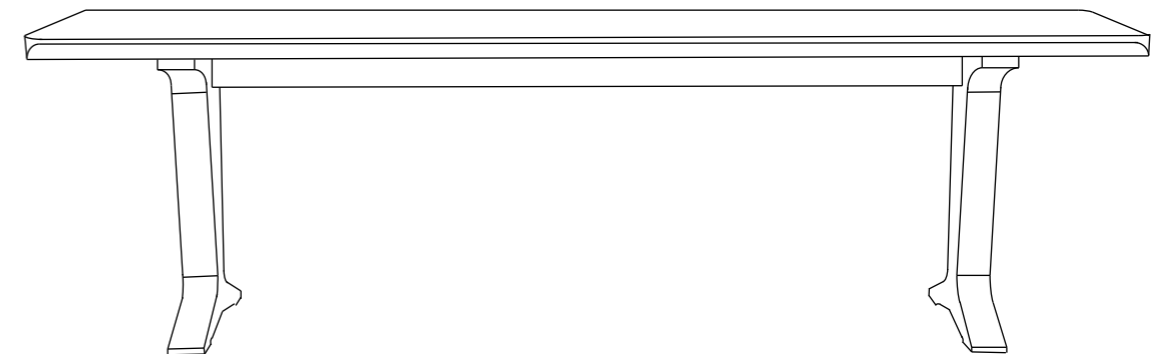
Craftsmen manufacture this product and there is variety between each unit. This is because wood is a natural product, with natural colour and grain variations.

Natural timber is affected by sunlight; this can cause the wood colour to darken. For this reason (especially if placed in direct sunlight) it is recommended that placing objects in the same position for long periods of time is avoided. This potential colour adjustment becomes less relevant as the product ages.

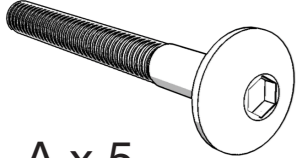
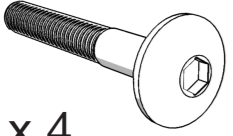

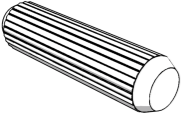
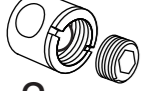
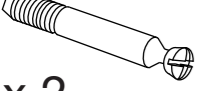



It is recommended that no abrasive cleaners or solvents are used to clean the unit. Please only use proprietary furniture polishes or alternatively, warm water with a diluted mild detergent.

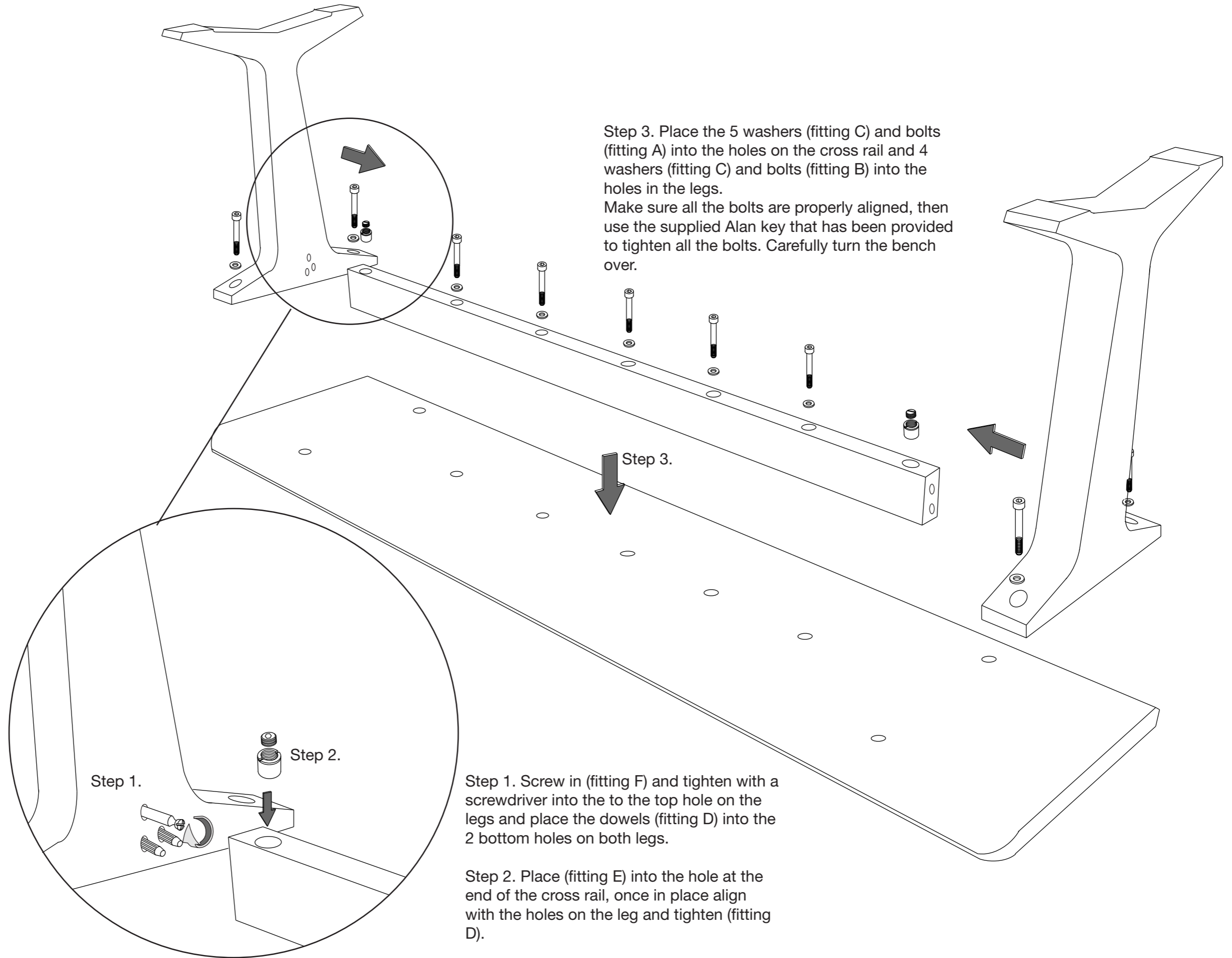
We thank you for purchasing this product and wish you many years of enjoyable and functional use.

For more related products please visit: casefurniture.com



Assembly Instructions

 A x 5
 B x 4
 C x 9
 D x 4
 E x 2
 F x 2
Required  
Supplied 



Step 3. Place the 5 washers (fitting C) and bolts (fitting A) into the holes on the cross rail and 4 washers (fitting C) and bolts (fitting B) into the holes in the legs.
Make sure all the bolts are properly aligned, then use the supplied Alan key that has been provided to tighten all the bolts. Carefully turn the bench over.

Step 1.

Step 2.

Step 3.

Step 1. Screw in (fitting F) and tighten with a screwdriver into the top hole on the legs and place the dowels (fitting D) into the 2 bottom holes on both legs.

Step 2. Place (fitting E) into the hole at the end of the cross rail, once in place align with the holes on the leg and tighten (fitting D).