

# Care Instructions

Ballet Table – designed by Matthew Hilton

To prolong the life of the product and retain its appearance and functionality, we would like to give you some relevant information and care advice:-

This unit is manufactured from solid oak.

Craftsmen manufacture this product and there is variety between each unit. This is because wood is a natural product, with natural colour and grain variations.

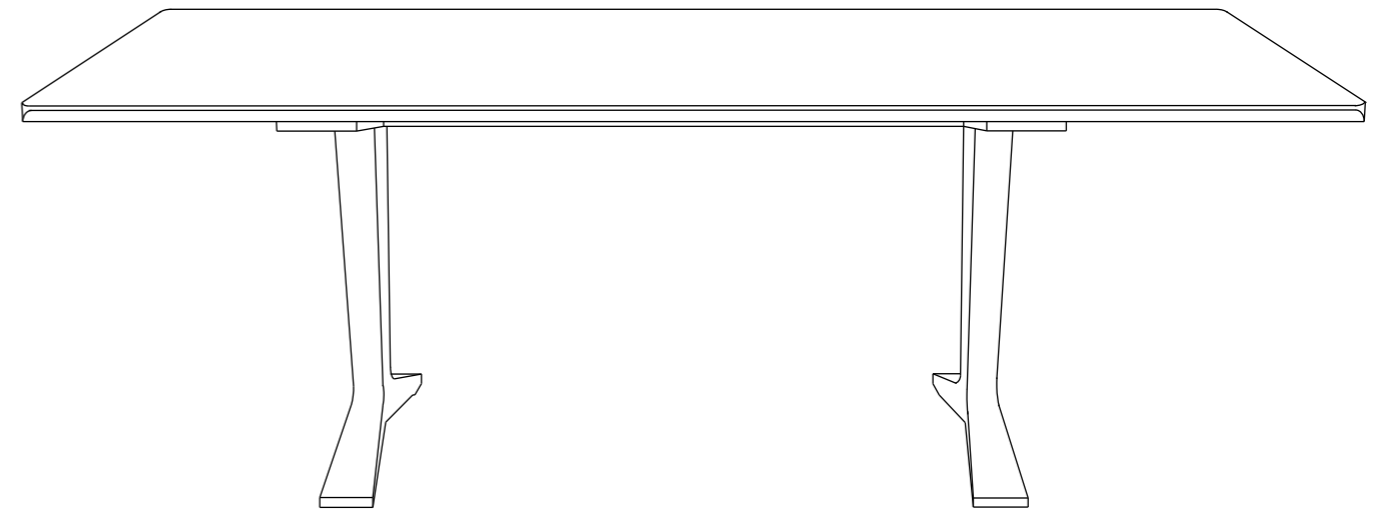
Natural timber is affected by sunlight; this can cause the wood colour to darken. For this reason (especially if placed in direct sunlight) it is recommended that placing objects in the same position for long periods of time is avoided. This potential colour adjustment becomes less relevant as the product ages.

It is recommended that no abrasive cleaners or solvents are used to clean the unit. Please only use proprietary furniture polishes or alternatively, warm water with a diluted mild detergent.

We thank you for purchasing this product and wish you many years of enjoyable and functional use.

For more related products please visit: [casefurniture.com](http://casefurniture.com)

# Ballet Table

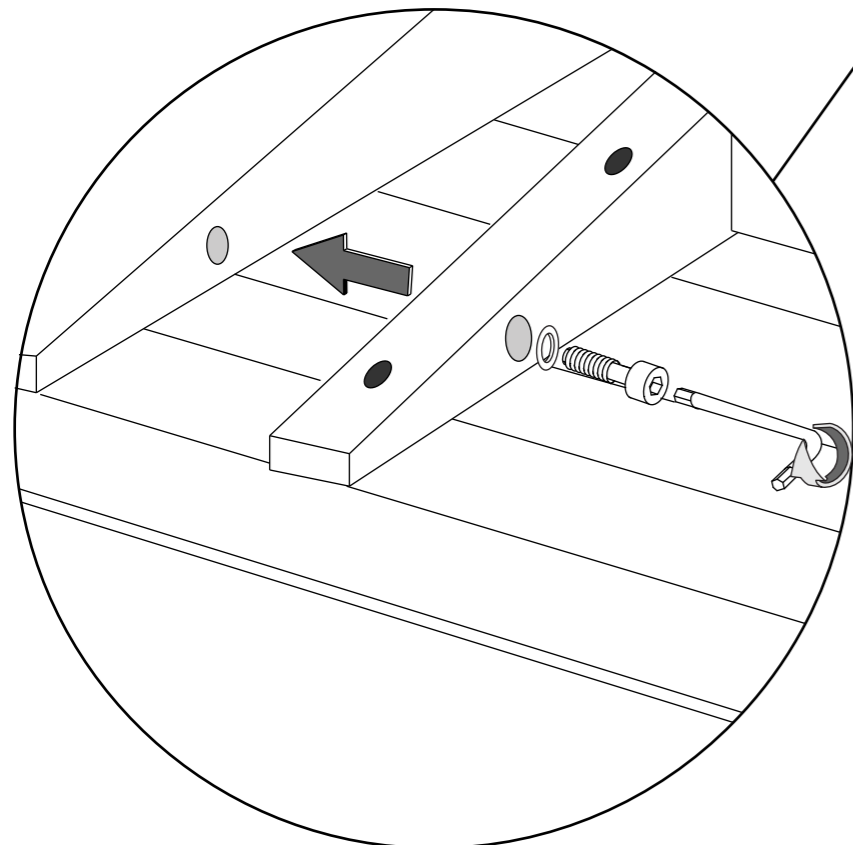
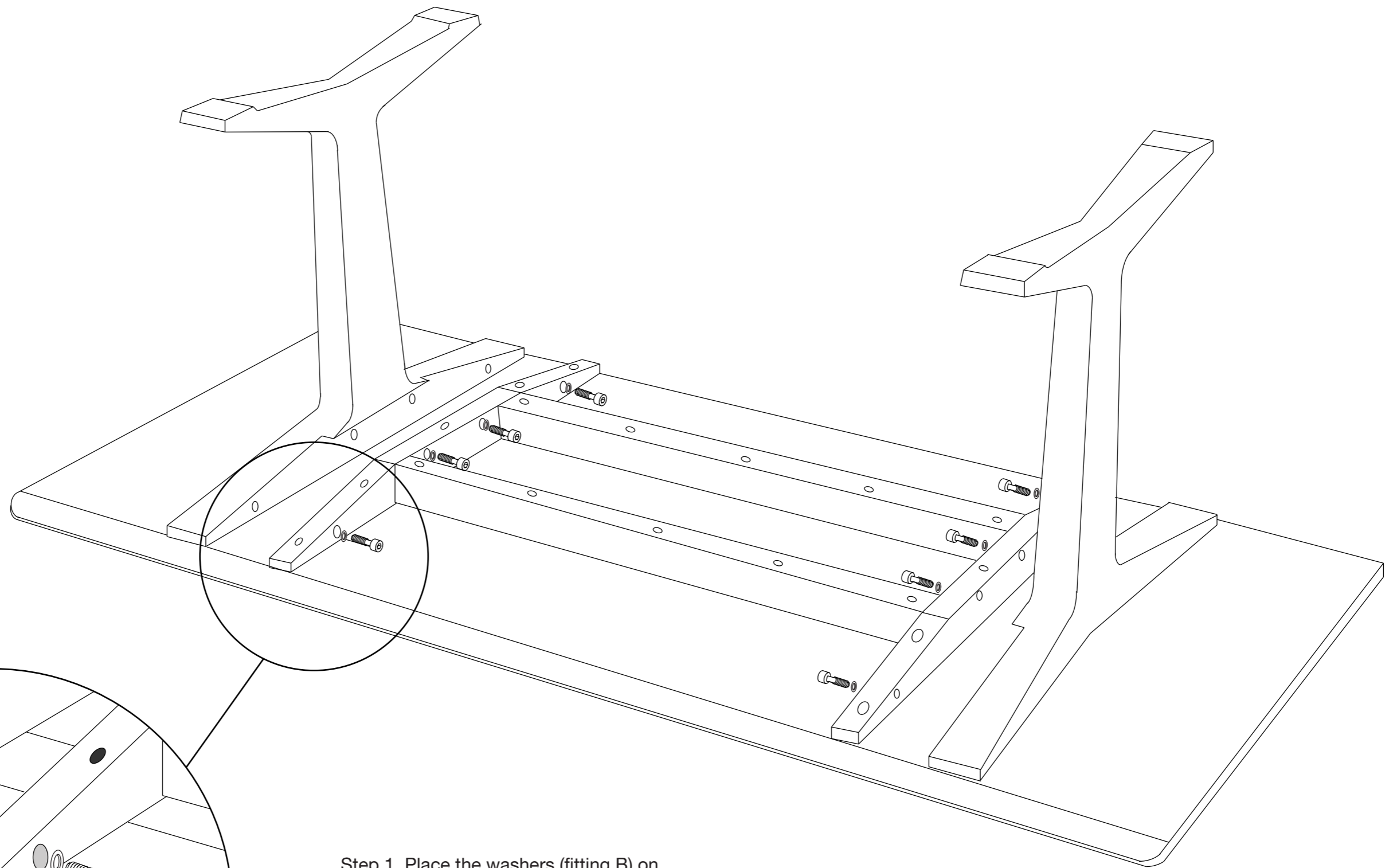
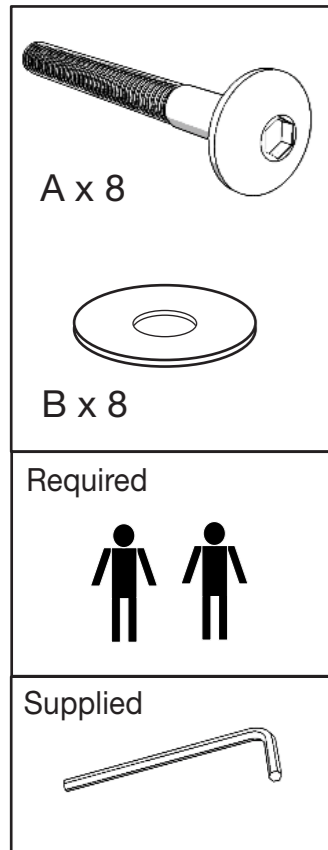


**case**

Case Furniture Ltd  
London, SW18 2HZ  
United Kingdom  
[info@casefurniture.com](mailto:info@casefurniture.com)  
[casefurniture.com](http://casefurniture.com)

**case**

# Assembly Instructions



Step 1. Place the washers (fitting B) on the bolts (fitting A) Place the Bolt and washer into the holes on the rail as shown. Move the leg into place and align with the relevant holes. Ensure that all bolts are properly located before tightening with the supplied Alan key.

Step 2. Once all the bolts are tightened, carefully turn the table over without resting on the legs until fully turned.