

Care Instructions

Celine Desk

Celine Desk – designed by Nazanin Kamali

To prolong the life of the product and retain its appearance and functionality, we would like to give you some relevant information and care advice:

This unit is manufactured with either oak, black stained oak or walnut with a lacquered drawer front.

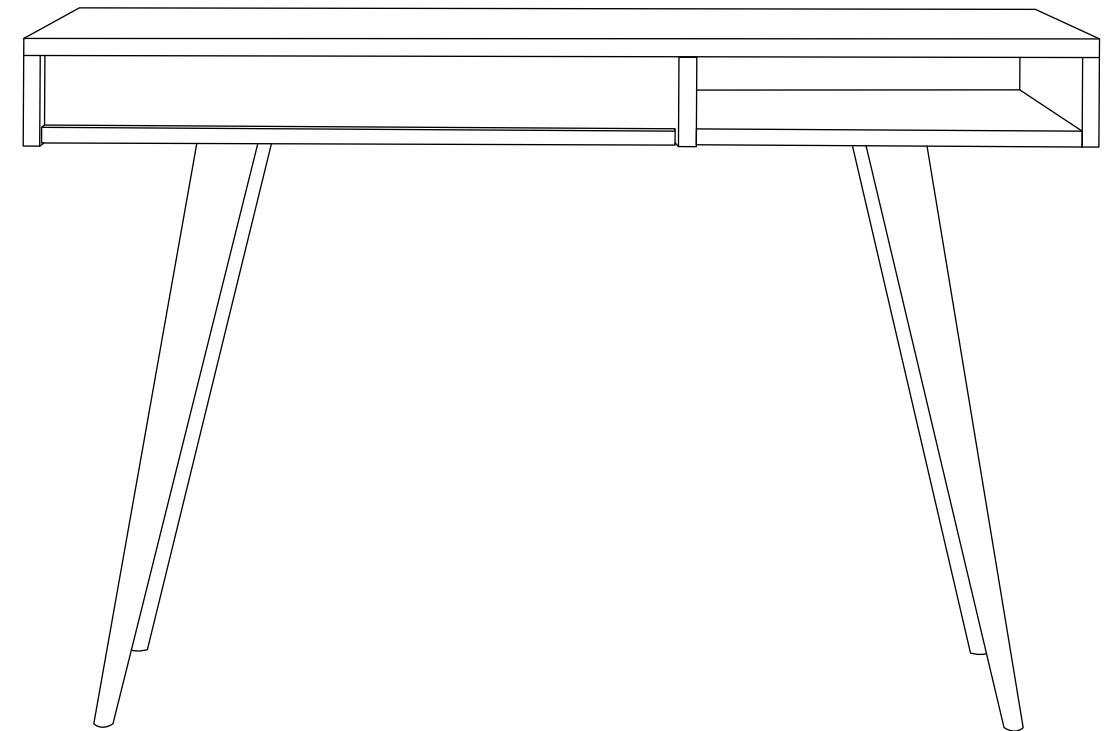
Craftsmen manufacture this product and there is variety between each unit. This is because wood is a natural product, with natural colour and grain variations.

Natural timber is affected by sunlight; this can cause the wood colour to darken. For this reason (especially if placed in direct sunlight) it is recommended that placing objects in the same position for long periods of time is avoided. This potential colour adjustment becomes less relevant as the product ages.

It is recommended that no abrasive cleaners or solvents are used to clean the unit. Please only use proprietary furniture polishes or alternatively, warm water with a diluted mild detergent.

We thank you for purchasing this product and wish you many years of enjoyable and functional use.

For more related products please visit: casefurniture.com

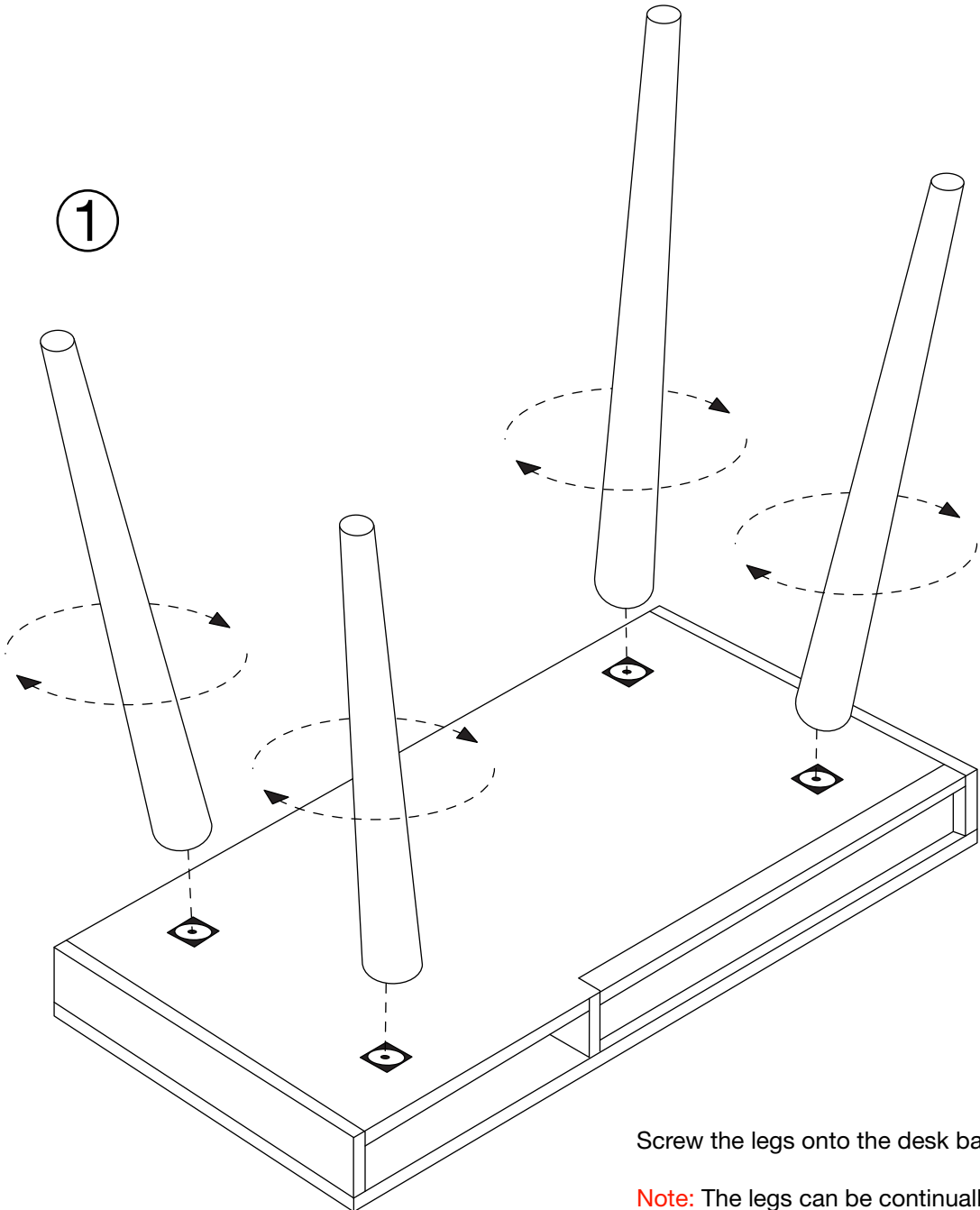


case

Case Furniture Ltd
London, SW18 2HZ
United Kingdom
info@casefurniture.com
casefurniture.com

case

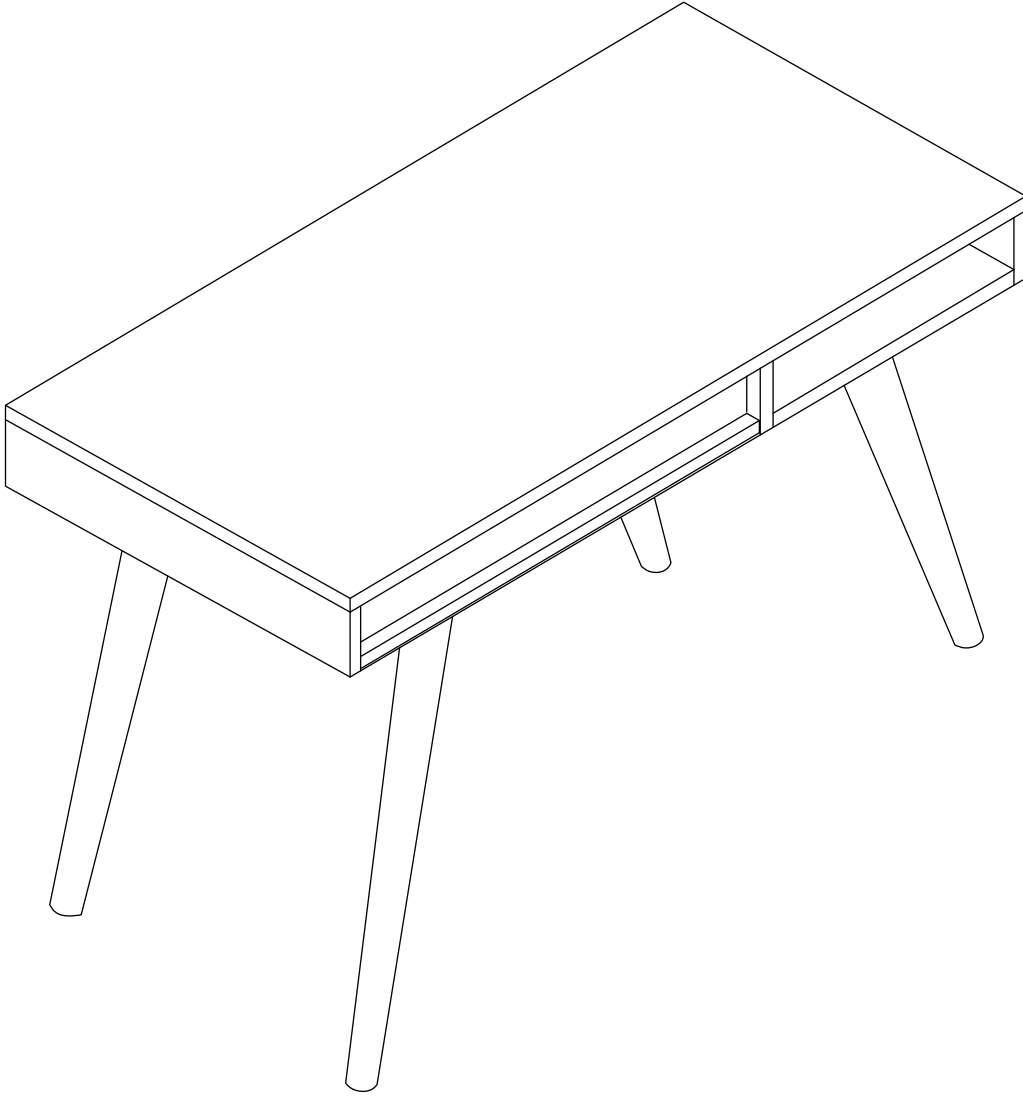
Assembly Instructions



Screw the legs onto the desk base.

Note: The legs can be continually rotated after they are fully tightened. This allows for the accurate alignment and positioning without the risk of over-tightening. Do not unscrew the leg to get it in the desired position.

② Rotate the unit onto its feet using two people.



Required

