

Expand

Design by
Sami Kallio

ENG

Installation manual

D

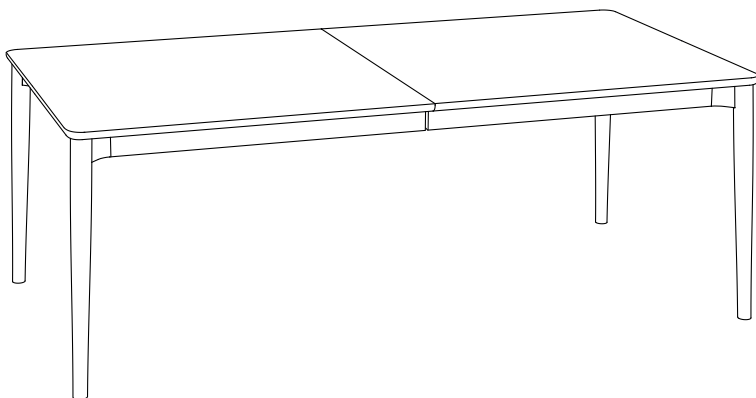
Gebrauchsanweisung

F

Mode D'emploi

NO

Bruksanvisning



Northern

Expand dining table series
Rectangular 200×90 / 250×90

Warnings

1. Be careful when unwrapping the product, not to damage the surface.
2. The table should be stored and used indoors only.
3. Make sure to tighten the legs well during installation, and retighten later if needed.
4. Make sure the table is placed on a smooth surface.
5. Do not sit on the table.
6. Do not place sharp items directly on the table top.
7. Do not place the table near heating sources such as wood burning stoves or radiators. The air temperature should be 15°C- 25°C with a humidity of 40-60%.
8. Avoid placing your wooden furniture in direct sunlight as it might affect the colour of the wood.
9. Oiled oak will develop a natural and beautiful patina over time.
To extend the life of the wood, it is necessary that you regularly take care of your wooden furniture.

Maintenance and cleaning instructions

Please visit our updated webpage for information on solid wood furniture, maintenance and cleaning instructions: northern.no/maintenance-wood or scan the QR-code below.



Installation instruction

(ENG) Follow numbers in order for installation.

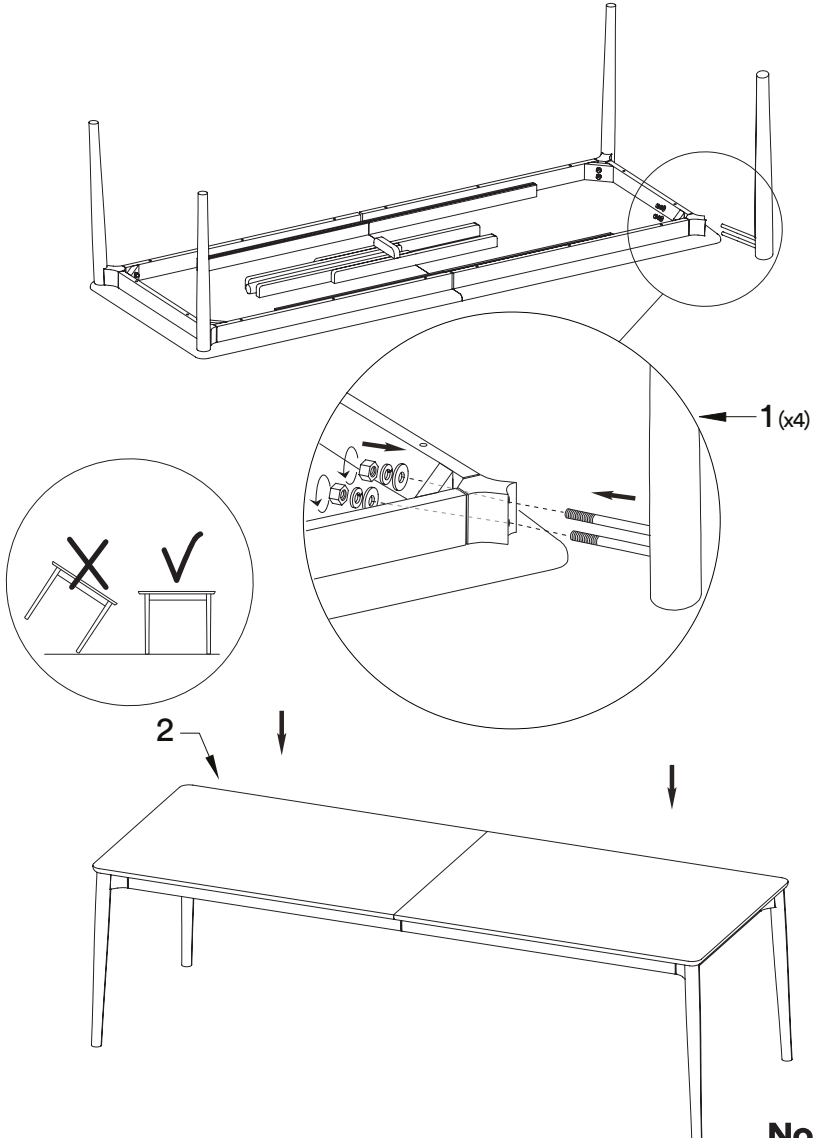
(D) Folge der Montageanleitung in der angegebenen Reihenfolge.

You need:

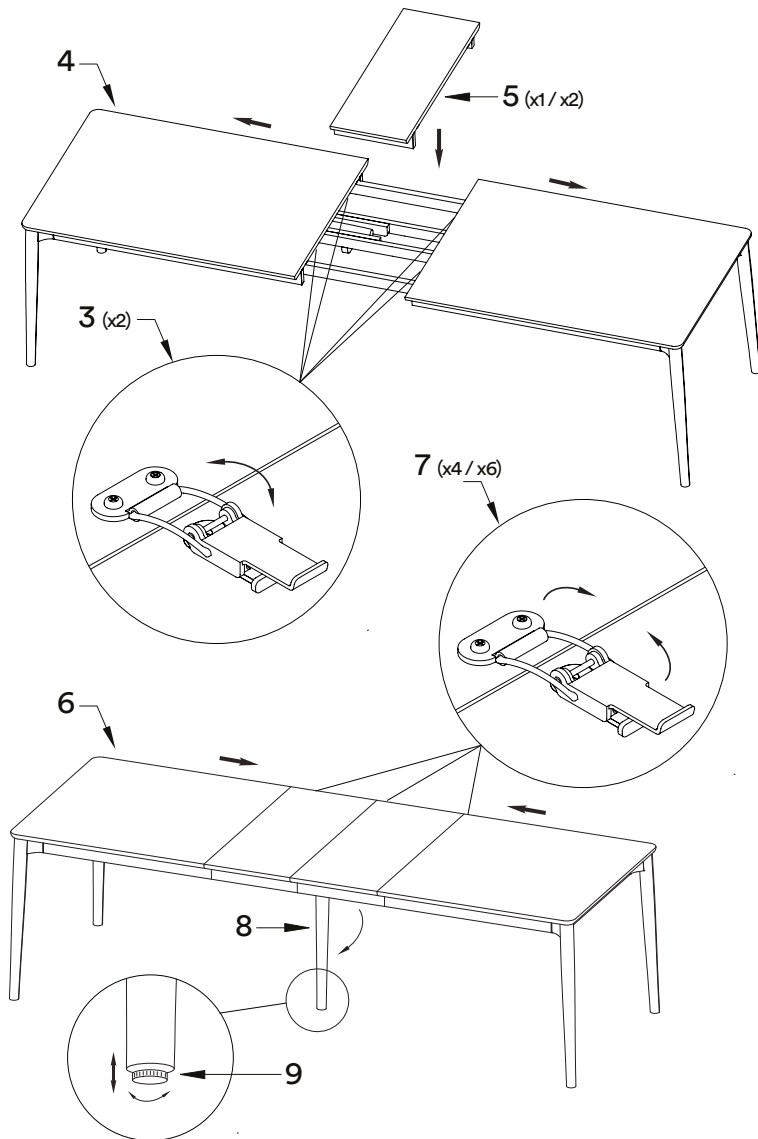


(F) Les chiffres montrent l'ordre recommandé pour monter.

(NO) Siffer viser rekkefølge for montering.



Northern



Contact info

Northern.no AS
Bygdøy allé 68
0265 Oslo
Norway

Phone: +47 40 00 70 37
Email: post@northern.no
Web: northern.no

Facebook: [Northern.no](https://www.facebook.com/Northern.no)
Instagram: [northern.no](https://www.instagram.com/northern.no)

More information about our products and updated user manuals are available on our website.

Northern