

Loud

Design by
Färg & Blanche

ENG

User manual

D

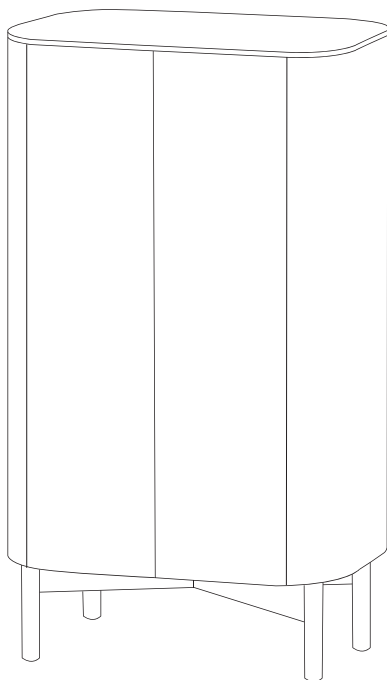
Gebrauchsanweisung

F

Mode D'emploi

NO

Bruksanvisning



Northern

Loud tall cabinet

Warnings

1. Be careful when unwrapping the product, not to damage the surface.
2. Do not lift the the cabinet by the doors.
3. Make sure to tighten the legs well during installation, and retighten if needed.
4. The cabinet should be stored and used indoors only.
5. Recommended air temperature is 15°C- 25°C with a humidity of 40-60%.
6. Do not leave open containers with liquid inside the cabinet as this may affect the humidity.
7. Do not place the cabinet near heating sources such as wood burning stoves or radiators.
8. The cabinet should be protected from direct sunlight at all times.
9. Make sure the cabinet is placed on a smooth surface.
10. Do not place really heavy or sharp items directly on the cabinet top.
11. We strongly recommend fixing the cabinet to the wall for safety.
12. Use correct screws and wall plugs for installation. Since different walls demand different standards, these parts are not included.
13. Press a piece of wood tightly to the area of the exit hole when predrilling holes in the cabinet for wall fixation. This is important to avoid wood tear-out and cracks.

Cleaning instructions

1. Wipe spills and stains immediately.
2. Clean using a soft, dry cotton cloth.
3. If necessary, a cotton cloth moistened with lukewarm water can be used. Wipe the surface in the direction of the wood. Be sure to immediately afterwards wipe the surface with a dry cotton cloth to remove any moisture that may damage the wood.
4. Avoid applying strong cleaning agents as it may damage the surfaces.

Temperature and humidity

Solid wood is sensitive to changes in air humidity. The seasons of the year and indoor heating systems may affect the wood. Solid wood adapt according to humidity and temperature, and dimensions may change slightly because of expansion and contraction of the wood. If not kept in the recommended temperature and humidity solid wood can warp or crack.

Natural raw material

Wood is a natural raw material and wood textures and patterns may vary in colour, texture and structure. Over the years the tone of the wood surface may change, especially if exposed to direct sunlight. These differences and the color changes are not considered to be defects. This applies for the light and smoked oak versions only.

Installation instruction



Follow numbers in order for installation.



Folge der Montageanleitung in der angegebenen Reihenfolge.

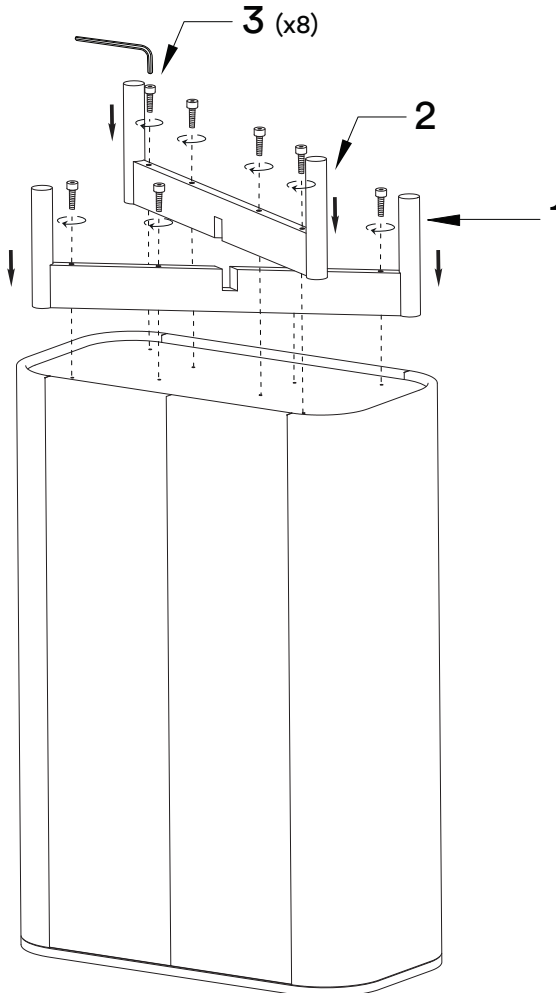
You need:



Les chiffres montrent l'ordre recommandé pour monter.

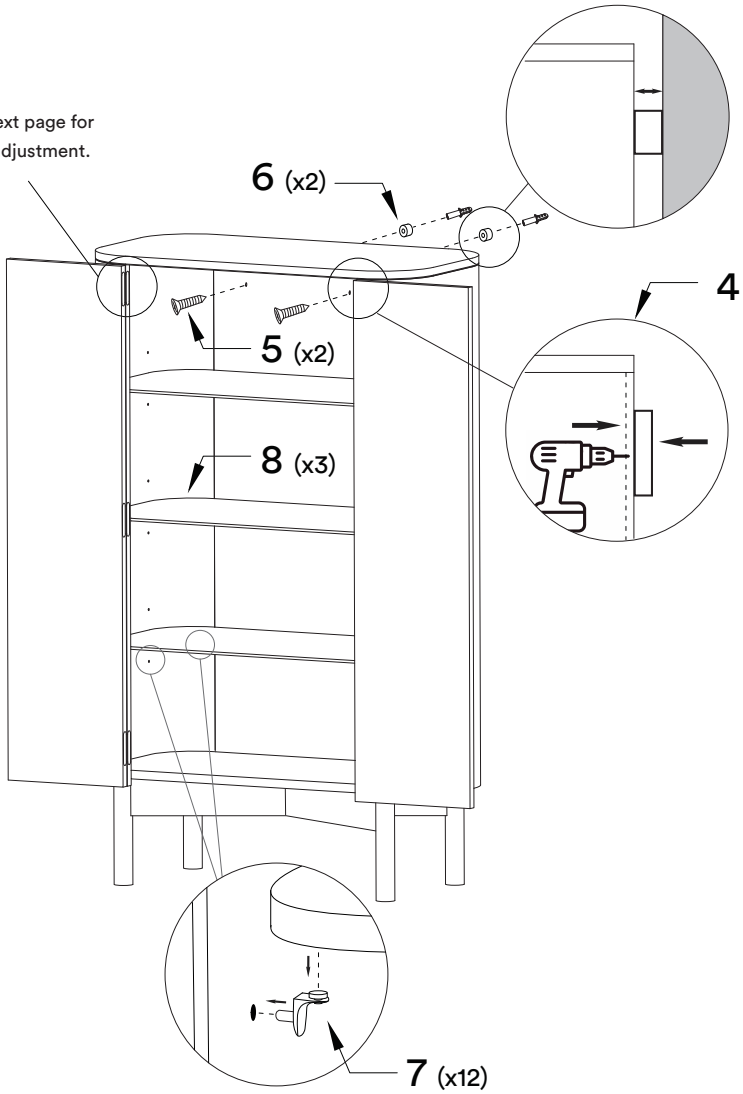


Siffer viser rekkefølge for montering.

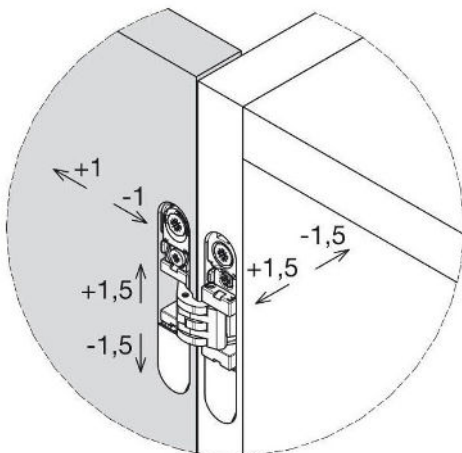
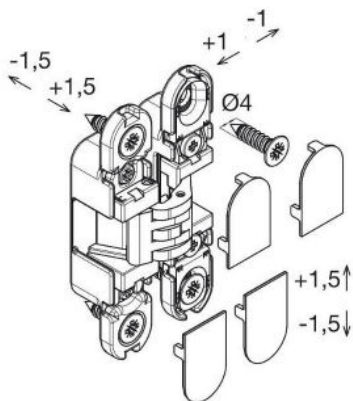


Northern

See next page for door adjustment.



Door adjustment



Contact info

Northern.no AS
Bygdøy allé 68
0265 Oslo, Norway

Phone: +47 40 00 70 37
Email: post@northern.no
Web: northern.no

Facebook: [northern.no](https://www.facebook.com/northern.no)
Instagram: [northern.no](https://www.instagram.com/northern.no)
Pinterest: [northernoslo](https://www.pinterest.com/northernoslo)

More information about our products and updated user manuals are available on our website.