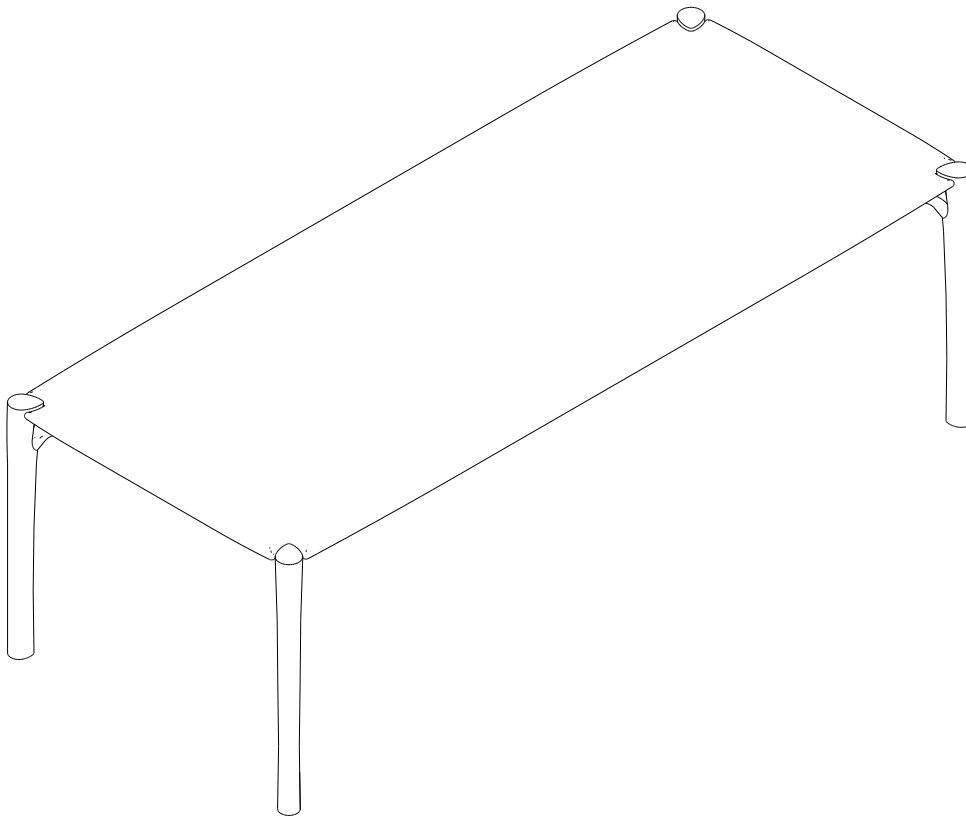


Ethnicraft

ASSEMBLY INSTRUCTIONS FOR TABLE INSTALLATION

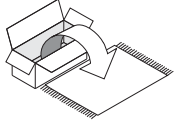
OAK POLISHED IMPERFECT DINING TABLE

CODE	DESCRIPTION
51325	OAK POLISHED IMPERFECT DINING TABLE 140/80/76
51326	OAK POLISHED IMPERFECT DINING TABLE 160/80/76
51327	OAK POLISHED IMPERFECT DINING TABLE 180/90/76
51328	OAK POLISHED IMPERFECT DINING TABLE 200/95/76
51329	OAK POLISHED IMPERFECT DINING TABLE 220/95/76
51330	OAK POLISHED IMPERFECT DINING TABLE 240/100/76



OAK POLISHED IMPERFECT DINING TABLE ASSEMBLY INSTRUCTIONS FOR DINING TABLE INSTALLATION

NOTE



- CAREFULLY OPEN THE CARTON,
- REMOVE CONTENTS AND LAY OUT ON CARPET OR THE PACKAGING CARTON BOX OR OTHER PROTECTIVE SURFACE TO AVOID DAMAGE.
- CHECK PACKAGE CONTENTS TO ASSURE ALL THE NECESSARY HARDWARE AND PARTS ARE RECEIVED UNDAMAGED.
- DO NOT USE DAMAGE OR DEFECTIVE PARTS/HARDWARE.
- CONTACT ETHNICRAFT FOR ANY MISSING PART AND /OR HARDWARE.

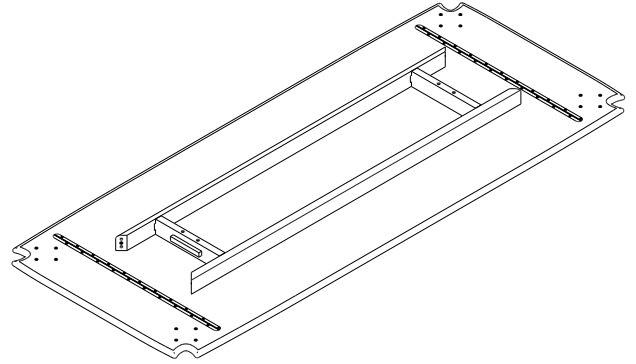


- READ THE ASSEMBLY INSTRUCTION BEFORE INSTALLATION AND CAREFULLY FOLLOW THE INSTRUCTION GIVEN.
- SEEK THE ADVICE OF A PROFESSIONAL IF YOU ARE NOT FAMILIAR WITH THESE INSTALLATIONS OR HAVE ANY DOUBTS ABOUT THE SAFETY OF THIS INSTALLATION.



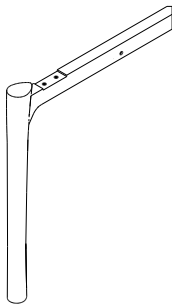
- IT IS ADVISABLE TO DO THIS ASSEMBLY WITH MINIMUM OF 2 PERSONS.

PARTS TO ASSEMBLE



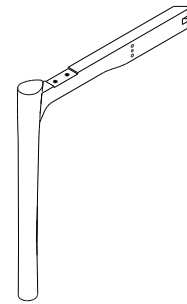
A) TABLE TOP 1 piece

CODE	DESCRIPTION
P4899	TABLE TOP 140x80
P4900	TABLE TOP 160x80
P4901	TABLE TOP 180x90
P4902	TABLE TOP 200x95
P4903	TABLE TOP 220x95
P4904	TABLE TOP 240x100



B) LEG A 2 pieces

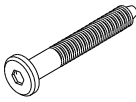
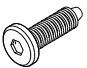
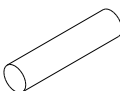
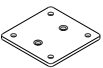
CODE	DESCRIPTION
P4905	LEG A



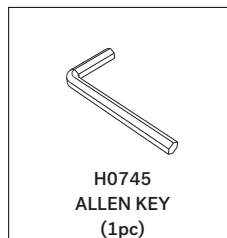
C) LEG B 2 pieces

CODE	DESCRIPTION
P4906	LEG B

HARDWARE ENCLOSED

 H0907 BOLT M6x40 (4pcs)	 H0789 COUNTERSUNK SCREW M6x25 (24pcs)
 H2085 DOWEL Ø8x30 (8pcs)	 H2180 METAL PLATE (4pcs)

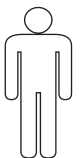
TOOL (Included in packaged)



SYMBOLS



DIRECTION



NUMBER OF PERSONS NEEDED



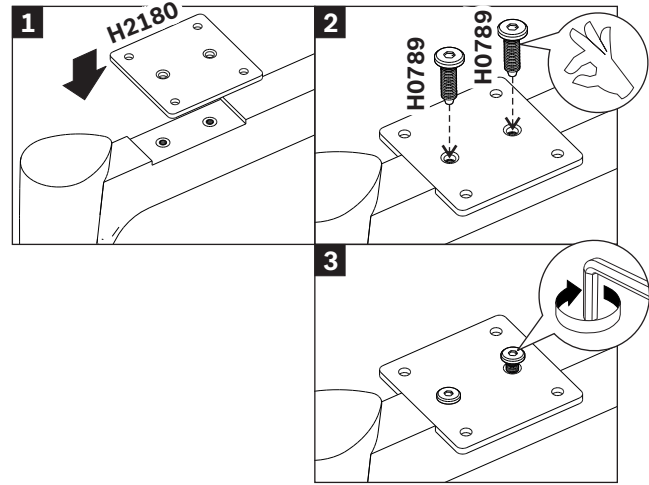
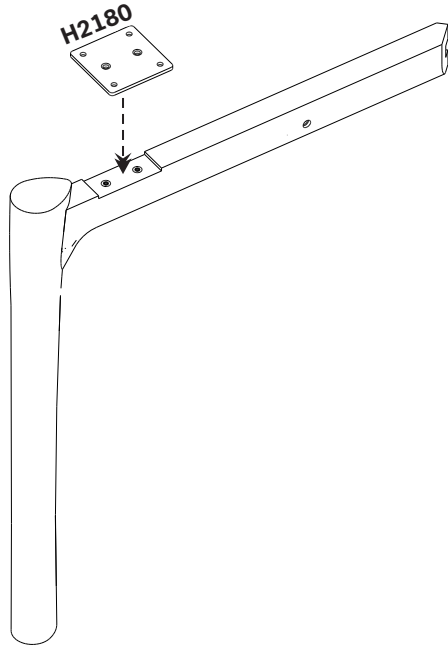
USE HAND



USE ALLEN KEY TO TIGHTEN

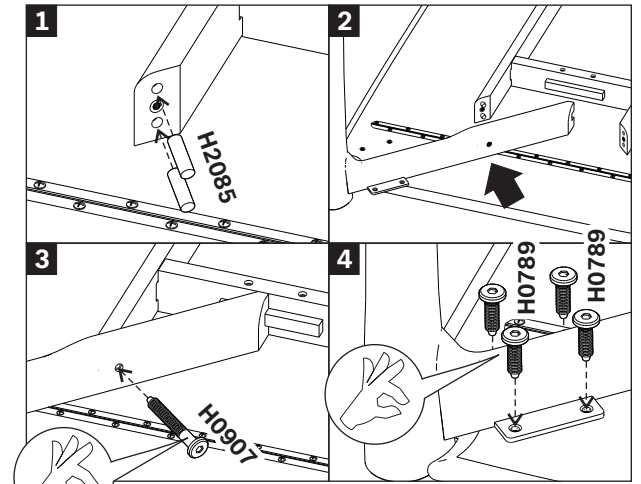
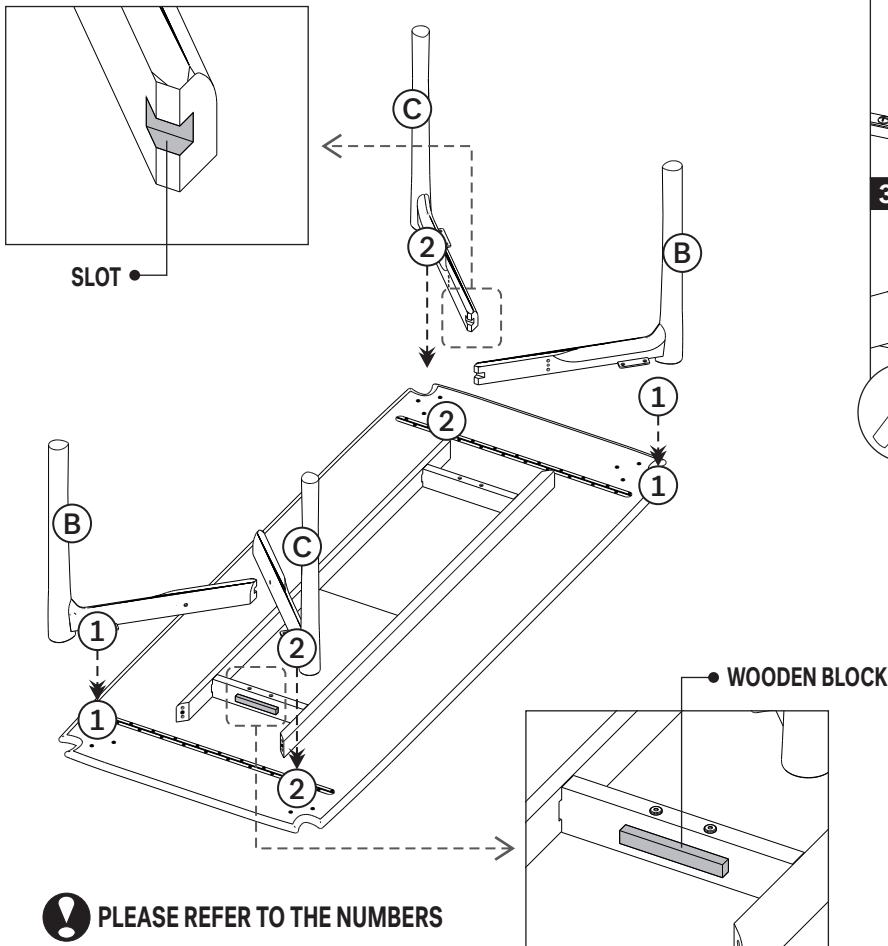
OAK POLISHED IMPERFECT DINING TABLE ASSEMBLY INSTRUCTIONS FOR DINING TABLE INSTALLATION

A INSTALLING METAL PLATE TO LEG

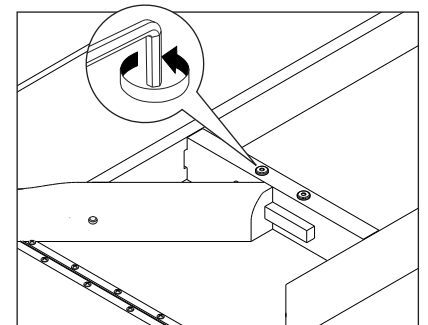


- USE COUNTERSUNK SCREW M6x25 (2X)
- TIGHTEN FULLY
- REPEAT ABOVE STEP FOR OTHER LEGS

B INSTALLING LEGS TO TABLE TOP



- USE DOWEL Ø8x30 (8X)
- USE SCREW M6x25 (16X)
- USE BOLT M6x40 (4X)
- DO NOT FULLY TIGHTEN

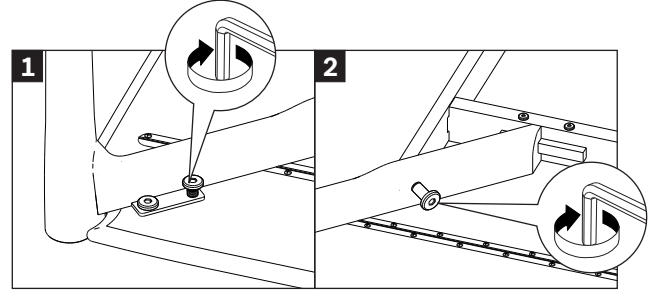
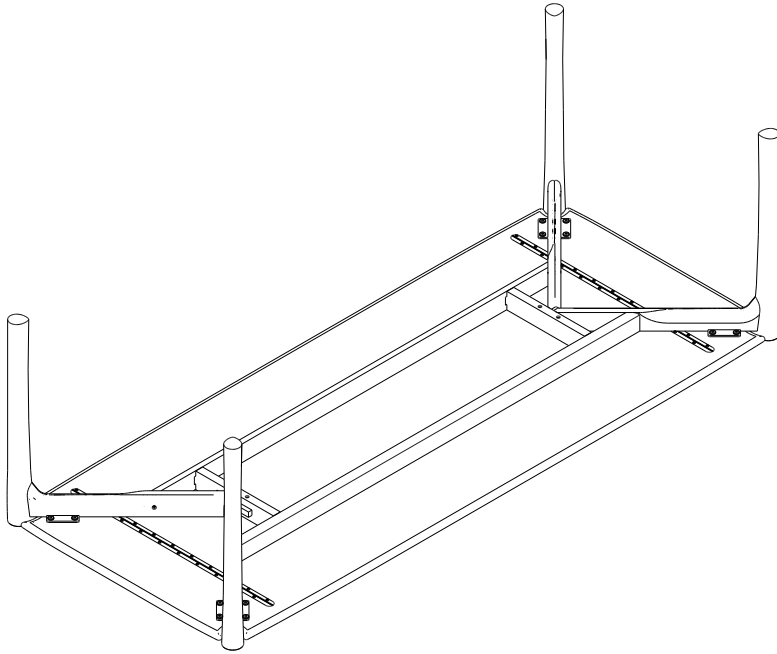


- IF SLOTS ON THE LEGS CAN NOT FIT INTO THE WOODEN BLOCK, LOOSE THE BOLTS ON THE SHORT APRON TO ADJUST THE SLOT POSITION

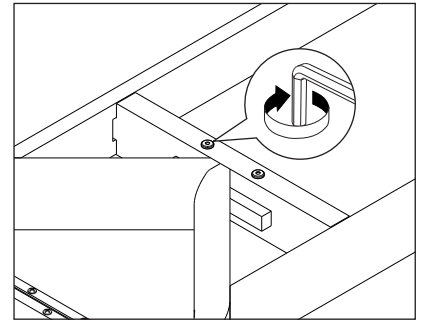
PLEASE REFER TO THE NUMBERS

OAK POLISHED IMPERFECT DINING TABLE ASSEMBLY INSTRUCTIONS FOR DINING TABLE INSTALLATION

C RE-TIGHTEN



! TIGHTEN FULLY ALL BOLTS



! TIGHT BACK THE BOLTS IN SHORT APRON IF PREVIOUSLY LOOSED

D FINISH

