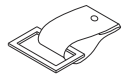
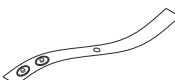

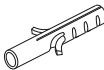
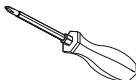

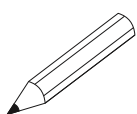


MAHOGANY POLISHED IMPERFECT DARK BROWN STANDING MIRROR - VARNISHED ASSEMBLY INSTRUCTIONS FOR ANTI-TIPPING BELT INSTALLATION

HARDWARE ENCLOSED

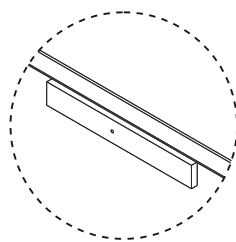
 <p>ANTI-TIPPING BELT A (1pc)</p>	 <p>ANTI-TIPPING BELT B (1pc)</p>	 <p>PAB SCREW dia. Ø8 x 1 inch (2pcs)</p>	 <p>WALL PLUG S6 (1pc)</p>
---	---	---	--

TOOL REQUIRED

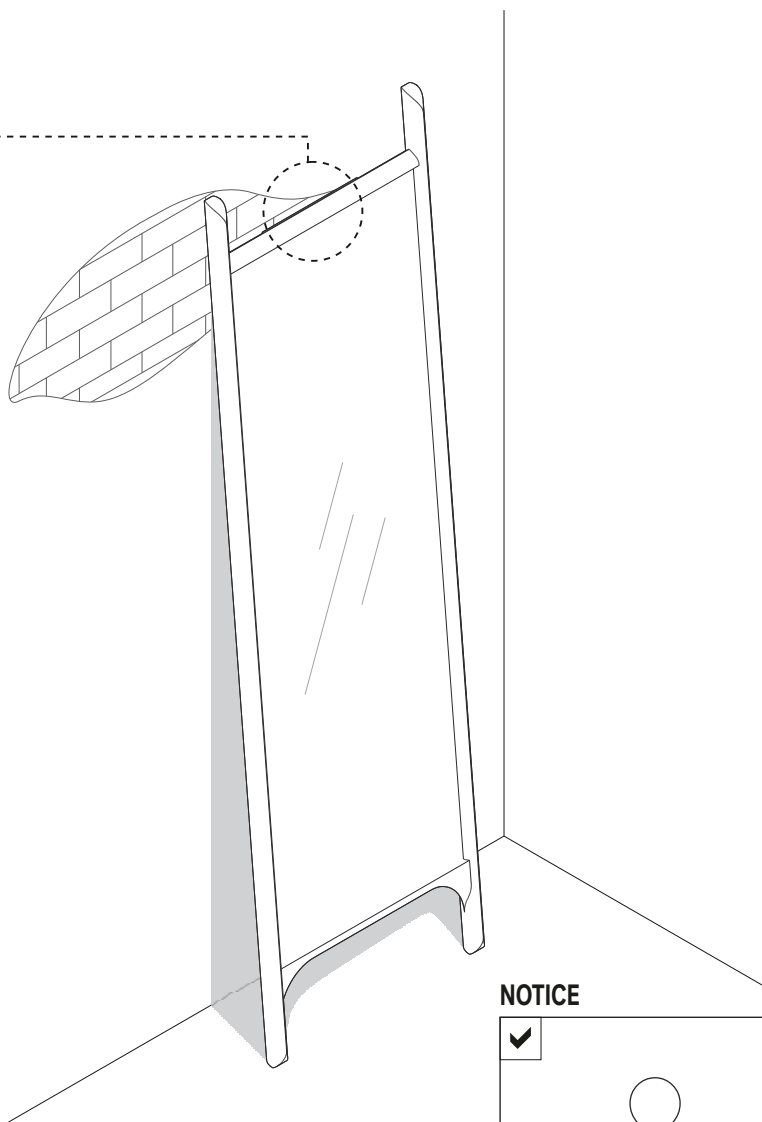
 <p>SCREWDRIVER (not included in package)</p>	 <p>DRILL (not included in package)</p>	 <p>PENCIL (not included in package)</p>
--	---	--




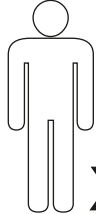
**AS WALL MATERIALS VARY, THE SCREW INCLUDED ARE FOR BRICK WALL
FOR ADVICE ON SUITABLE SCREW SYSTEMS, CONTACT YOUR LOCAL SPECIAL DEALER**



**PRE-DRILLED HOLE
FOR SCREW**



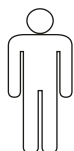
NOTICE

<input checked="" type="checkbox"/> 	 <p>X2</p>
--	--

SYMBOLS



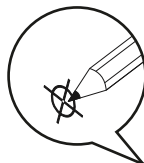
DIRECTION



**NUMBER OF
PERSONS NEEDED**



USE HAND



USE PENCIL



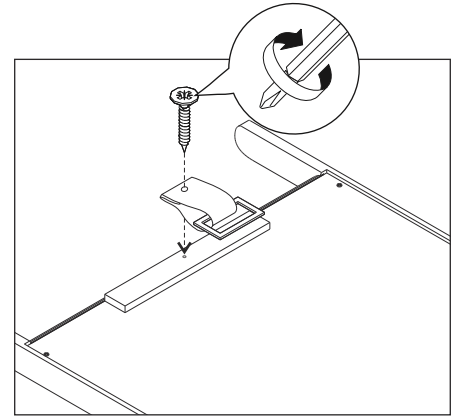
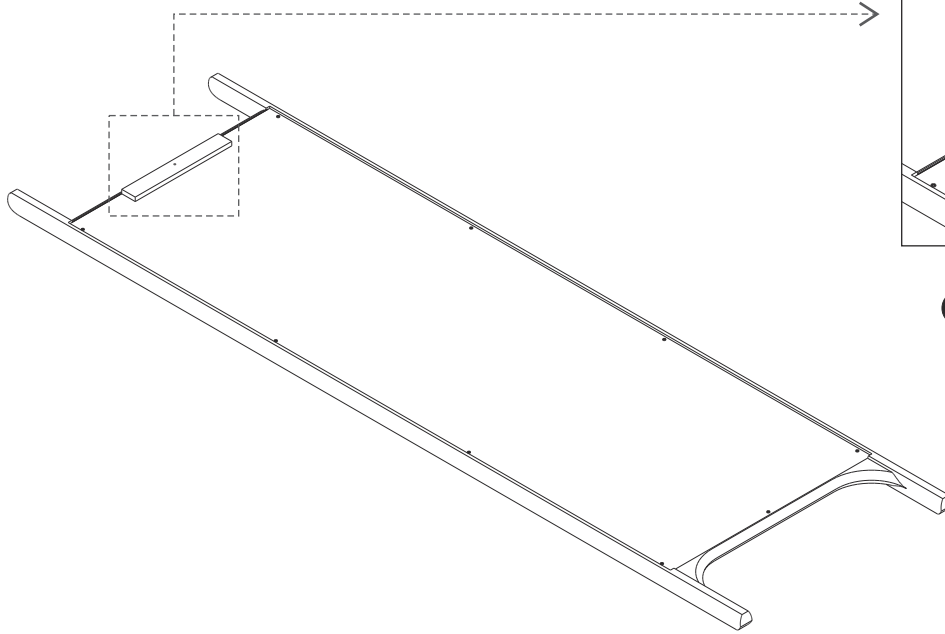
USE DRILL



**USE SCREWDRIVER
TO TIGHTEN**

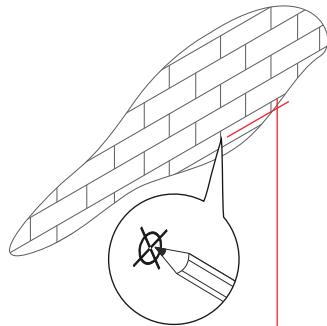
MAHOGANY POLISHED IMPERFECT DARK BROWN STANDING MIRROR - VARNISHED ASSEMBLY INSTRUCTIONS FOR ANTI-TIPPING BELT INSTALLATION

1 INSTALLING ANTI-TIPPING BELT ON THE FRAME



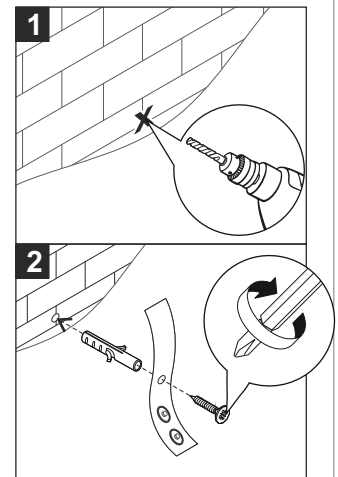
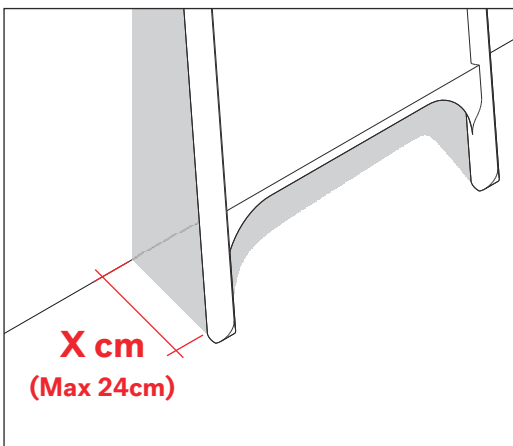
- USE ANTI-TIPPING BELT A (1X)
- ! - USE PAB SCREW Ø8 x 1 inch (1X)
- TIGHTEN FULLY

2 INSTALLING ANTI-TIPPING BELT ON THE WALL



! ANTI-TIPPING HEIGHT IS NOT HIGHER THAN THE MIRROR

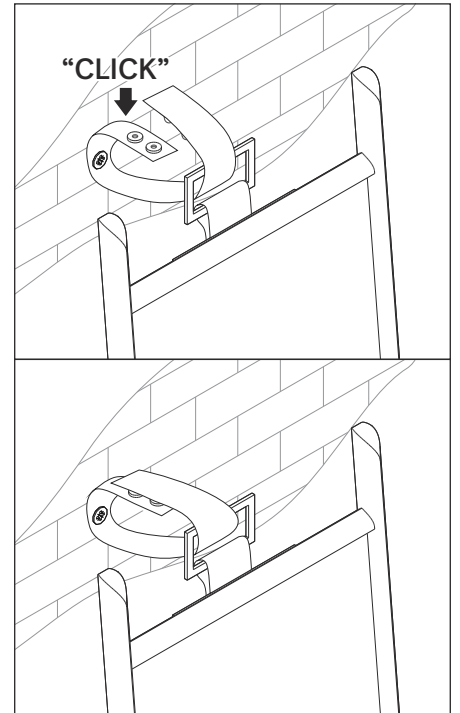
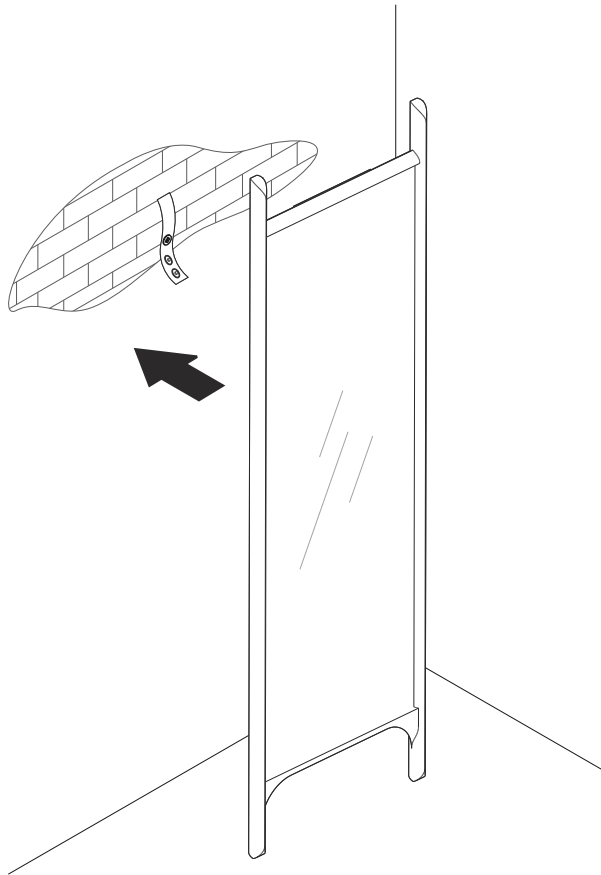
*Y cm
(Desired height)*



- USE WASHER S6 (1X)
- ! - USE PAB SCREW Ø8 x 1 inch (1X)
- USE ANTI-TIPPING BELT B (1X)
- TIGHTEN FULLY

MAHOGANY POLISHED IMPERFECT DARK BROWN STANDING MIRROR - VARNISHED ASSEMBLY INSTRUCTIONS FOR ANTI-TIPPING BELT INSTALLATION

3 ATTACHING MIRROR



4 FINISH

