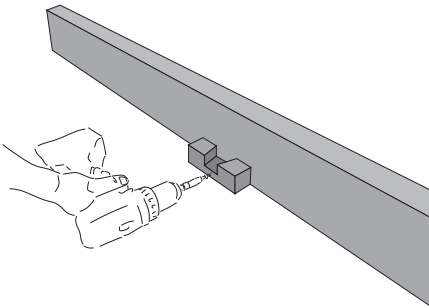


## IN HEAVEN

### Upholstered headboard

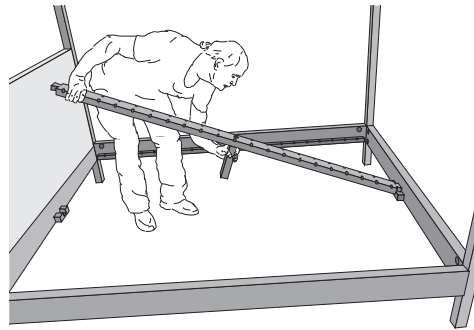
Assembly instructions 01.2022

9.



Push the center support blocks onto headboard (1) and footboard (2). Use Spax screws to secure them.

10.



Attach the center support foot (7) to the center rail (4). Place the center rail on the center support blocks.

#### TOOLS:

allen key (enclosed)  
cordless drill driver  
open-end wrench size 10  
ladder

16 × Maxifix connector housings



16 × Maxifix bolts



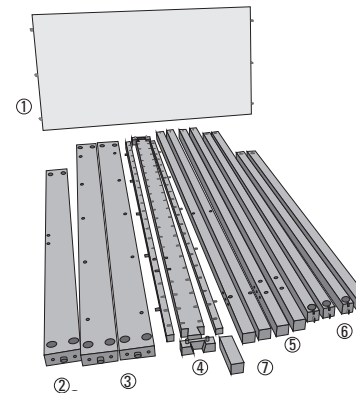
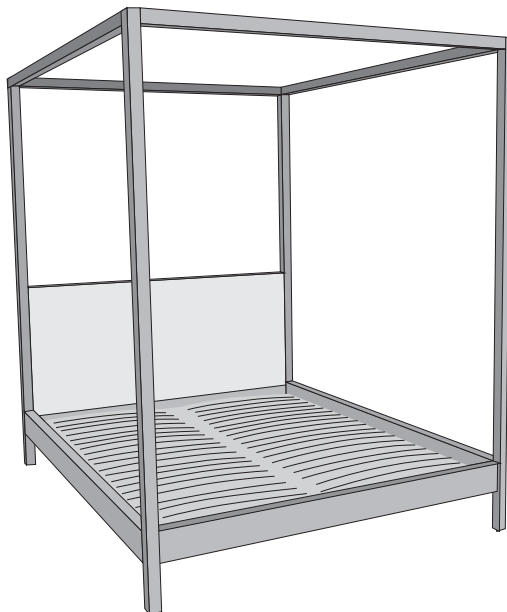
8 × frame connectors



10 × Spax screws (5x50)



Please assemble the bed **on a soft surface (e.g. a carpet or blanket)** to avoid damages.



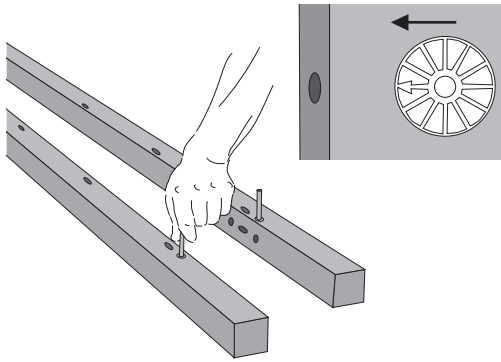
- 1 headboard
- 2 footboard
- 3 side rails
- 4 center rail and support bars
- 5 corner posts
- 6 upper frame
- 7 center support foot

ZEITRAUM GmbH  
Äußere Münchner Str. 2  
D-82515 Wolfratshausen

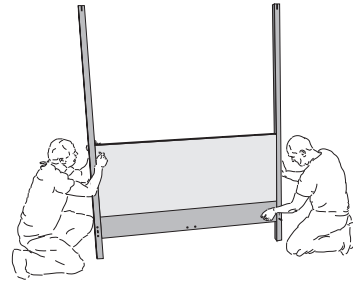
Tel +49 (0)8171.418130  
Fax +49 (0)8171.418141

info@zeitraum-moebel.de  
www.zeitraum-moebel.de

1.



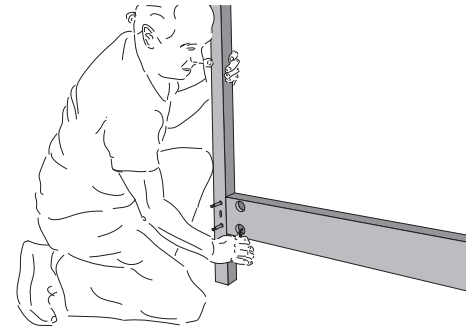
2.



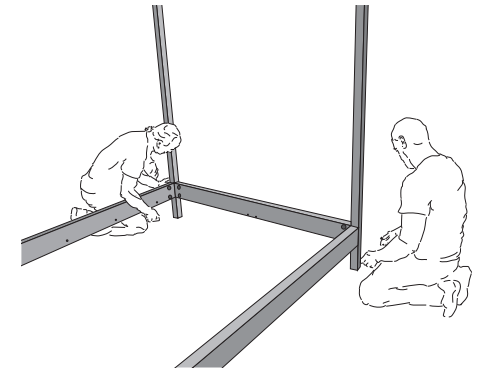
Screw the Maxifix bolts into the corner posts **(5)**. Insert the connector housings into side rails **(3)**, headboard **(1)** and footboard **(2)**. When aligning the housings, ensure that the arrow points towards the intersecting hole.

Push the headboard **(1)** onto the Maxifix bolts of the corner posts **(5)**.

5.



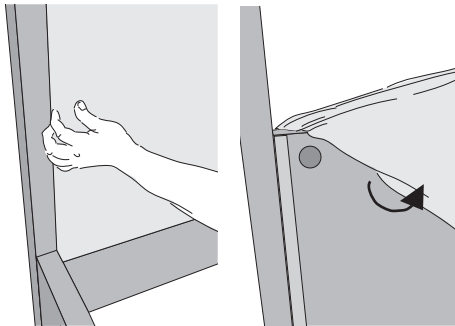
6.



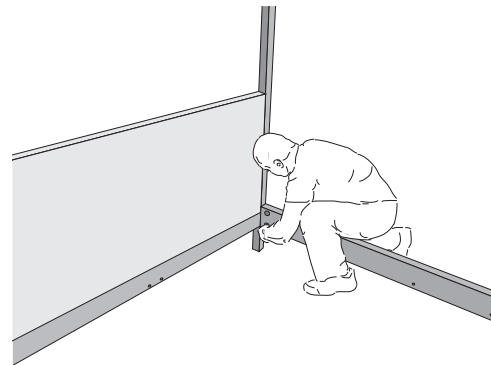
Fix the corner posts **(5)** to the footboard **(2)**.

Attach the footboard **(2)** to the side rails **(3)**.

3.



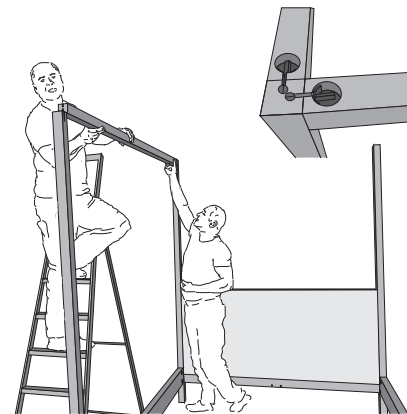
4.



Remove the headboard cover and tighten the Maxifix connectors with the Allen key.

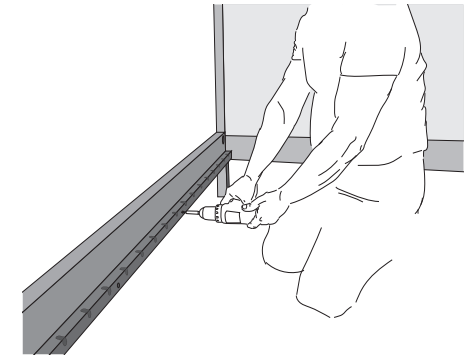
Attach the side rails **(3)** to the headboard **(1)**.

7.



Place the bars of the upper frame **(6)** in between the corner posts **(5)** and secure them with frame connectors. Tighten the connectors using an open-end wrench.

8.



Push the support bars **(4)** onto the holes in the side rails **(3)** and secure them with Spax screws.