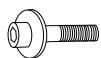


Assembly instructions 08/2022

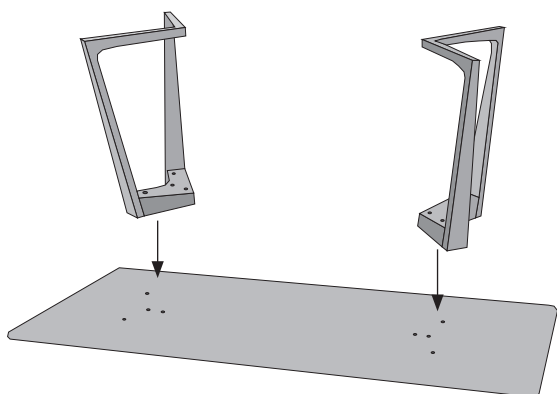
TOOLS:

Allen key (enclosed)

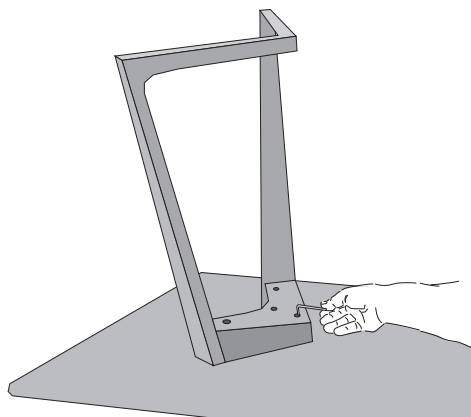
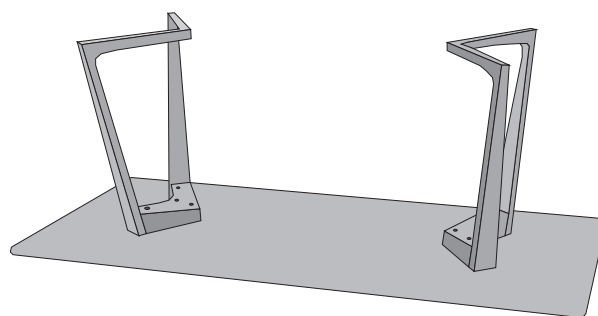
8x cylinderhead screws (M6x25) with flat washers



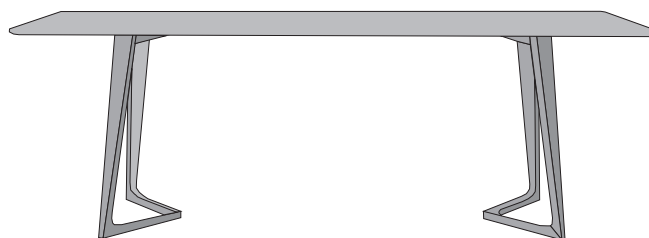
Assemble the table on a **soft surface (e.g. blanket)** to avoid damage.



1. Turn the tabletop upside down. Place the legs on the tabletop.



2. Screw the legs onto the tabletop. Use the cylinderhead screws with flat washers.



3. Turn the table.