



CARE INSTRUCTIONS

Some advice on cleaning your lamp:
Wipe the parts with a damp cloth soaked in warm water and a bit of mild detergent. Use only soft cloth for wiping and polishing, never sponges or steel wool. Do not use abrasive household cleaners. Do not use acidic or alkaline cleaning materials, glass cleaner or household ammonia.

TROUBLESHOOTING

If lamp does not light, turn off the power. Check the bulb for a broken filament. Replace bulb if necessary, then turn it on.

If the lamp still does not light, please contact customer service at the local dealer.

If the external flexible cable or cord of this lamp is damaged, it must be replaced by a qualified electrician in order to avoid a hazard.

TECHNICAL INFORMATION

Light sources: E27, max. 1x53W halogen bulb. Turn power off when changing light bulb. Isolation class II. The lamp is not approved for outdoor use or use in damp/wet rooms (IP20).



GUBI A/S

FOR MORE INFORMATION

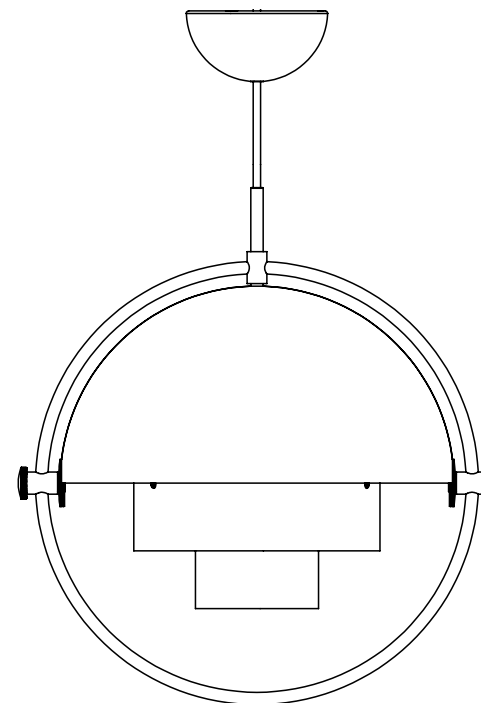
GUBI.COM

GUBI

ASSEMBLY INSTRUCTIONS

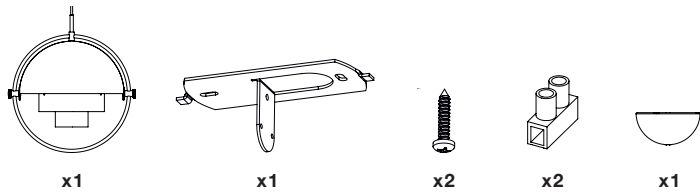
for

MULTI-LITE PENDANT

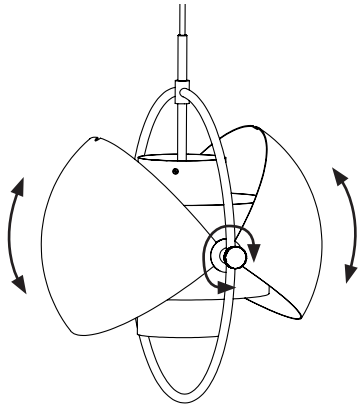


CONTENTS.

MULTI-LITE PENDANT

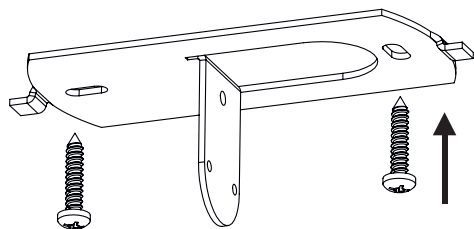


The half-shades can be moved, and tightened by turning the fixing screw.



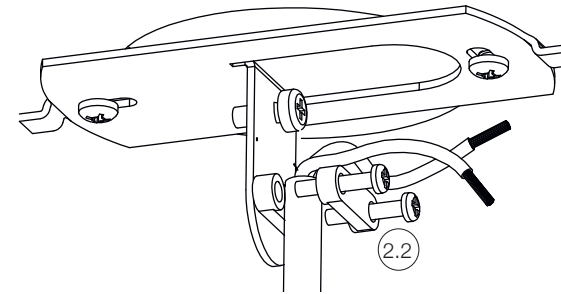
1.

Attach the ceiling bracket to the ceiling where the mains voltage exits.



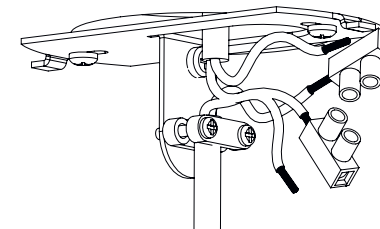
2.

- 2.1 Find the desired length of cable and cut off the outer isolation.
- 2.2 Mount the cable in the cable clamp.



3.

Connect lamp cable to the supply wires.



4.

- 4.1 Place canopy on ceiling bracket and twist approx. 5 - 20 degrees.
- 4.2 Place light bulb in lamp and turn the power on.

