



CARE INSTRUCTIONS

Wipe the parts with a damp cloth soaked in warm water and a bit of mild detergent. Use only soft cloth for wiping and polishing, never sponges or steel wool. Do not use abrasive household cleaners.

Do not use acidic or alkaline cleaning materials, glass cleaner or household ammonia.

TROUBLESHOOTING

If lamp does not light, turn off the power. Check the bulb for a broken filament. Replace bulb if necessary, then turn it on. If the lamp still does not light, please contact customer service at the local dealer. If the external flexible cable or cord of this lamp is damaged, it must be replaced by a qualified electrician in order to avoid a hazard.

TECHNICAL INFORMATION

Light sources: E27, max. 1x40W incandescent bulb ~ 470 Lumen
Turn power off when changing light bulb. Isolation class II. The lamp is not approved for outdoor use or use in damp/wet rooms (IP20).



For enquiries contact GUBI A/S - CVR: 17940384
Klubiensvej 7-9, 2150 Nordhavn, Copenhagen, Denmark
T +45 69 15 60 60 - order@gubi.com

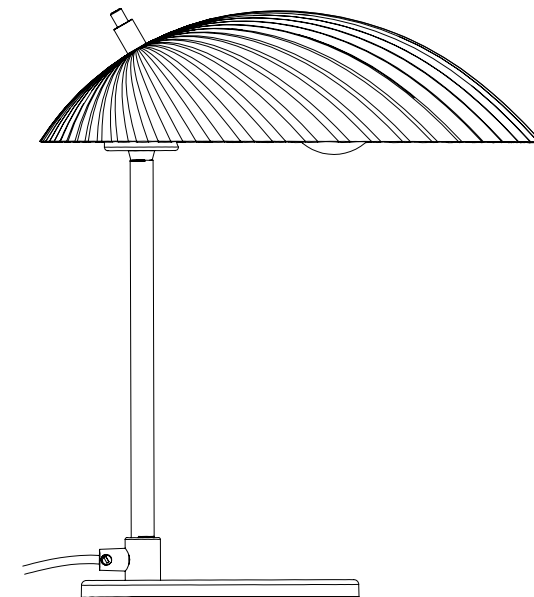
64-20-004-01 Mounting Instructions 5321Tynell Table Lamp EU

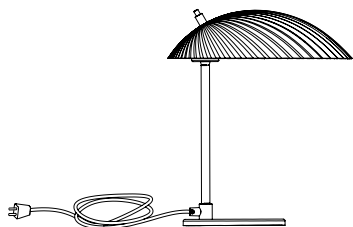
GUBI

ASSEMBLY INSTRUCTIONS

for

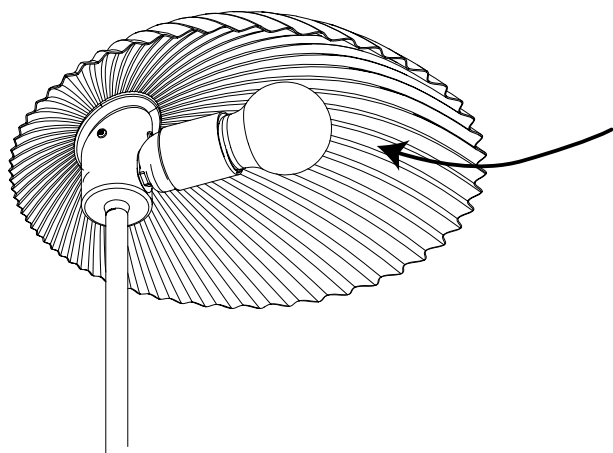
5321 TABLE LAMP





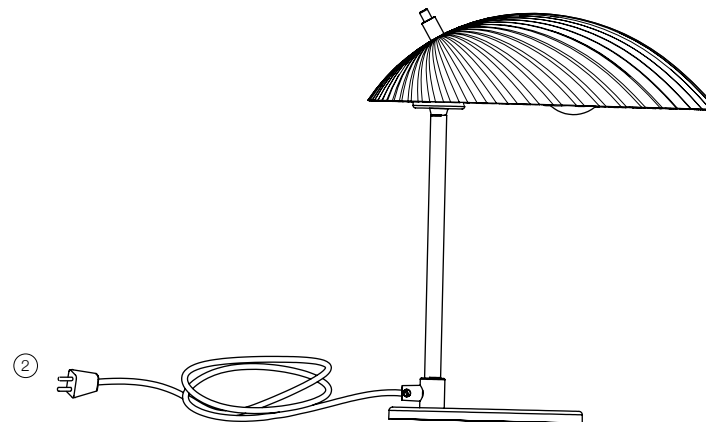
1.

Insert a light bulb from underneath.



2.

Plug lamp to main voltage.



3.

Push switch on top to turn on and off lamp.

