



## CARE INSTRUCTIONS

Daily cleaning can be done by wiping the frame with a clean dry cloth. Should the surface need more attention this can be cleaned with water and a light detergent or soap applied with a damp cloth. Wipe after with a clean dry cloth. Avoid any abrasive materials.

## TROUBLESHOOTING

If lamp does not light, turn off the power. Check the bulb for a broken filament. Replace bulb if necessary, then turn it on. If the lamp still does not light, please contact customer service at the local dealer. If the external flexible cable or cord of this lamp is damaged, it must be replaced by a qualified electrician in order to avoid a hazard.

## TECHNICAL INFORMATION

Light sources: E26, 810 Lumen  
(≤ 60W Incandescent, ≤46W Halogen, ~8-10W LED Dimmable).  
Turn power off when changing light bulb. Isolation class II. The lamp is not approved for outdoor use or use in damp/wet rooms (IP20).

## SAFETY INSTRUCTIONS

SAFETY INSTRUCTIONS PERTAINING TO RISK OF FIRE,  
ELECTRIC SHOCK, OR PERSONAL INJURY!

WARNING: Lighted bulb gets HOT! Do not touch while on.

CAUTION: Keep lamp away from curtains, bedding linens, and any other flammable materials. Do not look directly at lighted bulb. Turn off / unplug and allow lamp to cool before replacing bulb, cleaning or other maintenance. Do not use in the bathroom or damp places.

CAUTION: TO REDUCE THE RISK OF FIRE, USE ONLY TYPE A BULB,  
MAX. 60 WATT, E26, 120V 60Hz AC ONLY.

Do not exceed recommended wattage.

CAUTION! IMPORTANT: LAMP MUST BE INSTALLED  
BY A QUALIFIED ELECTRICIAN!



For enquiries contact GUBI A/S - CVR: 17940384  
Klubiensvej 7-9. 2150 Nordhavn. Copenhagen, Denmark

T +45 69 15 60 60 – [order@gubi.com](mailto:order@gubi.com)

[GUBI.COM](http://GUBI.COM)

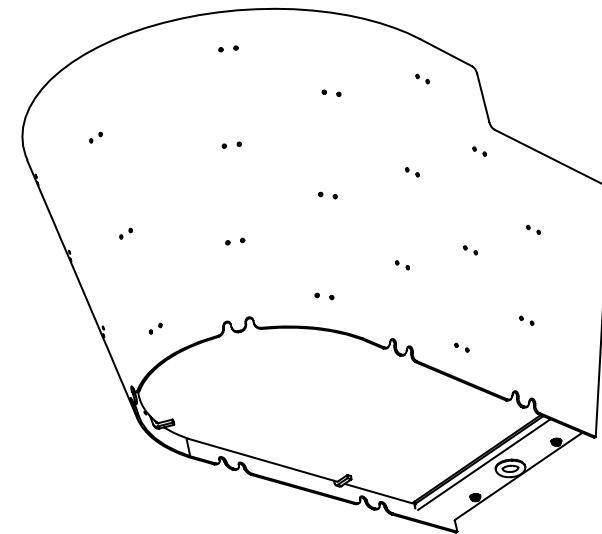
64-20-007-02 Assembly Instructions 9464 Wall Lamp US Hardwired.

# GUBI

## ASSEMBLY INSTRUCTIONS

*for*

## 9464 Wall Lamp

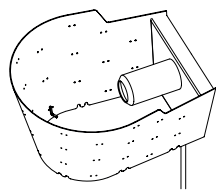


# GUBI

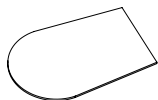
## ASSEMBLY INSTRUCTIONS

### CONTENTS

9464 Wall Lamp



x1



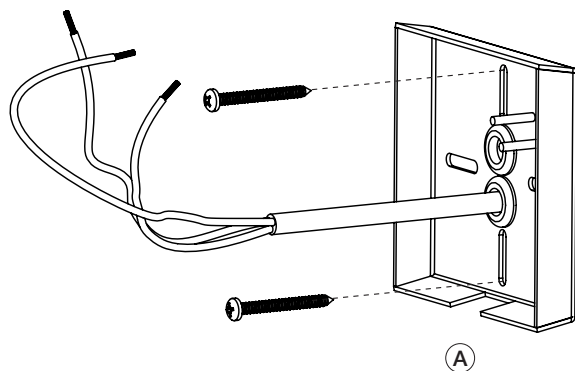
x1



x3

### 1.

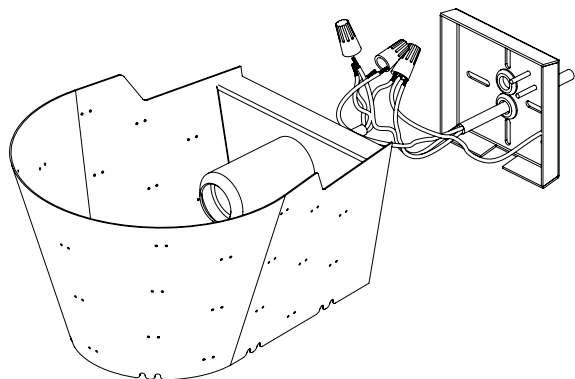
Pull wire from the wall through one of the holes in the middle of the back plate and mount plate to wall. Remember to leave the gap (A) at the bottom.



(A)

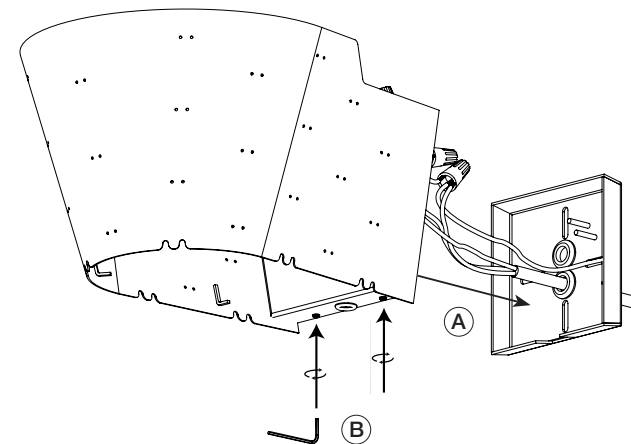
### 2.

Connect all wires with screw terminals.



### 3.

(A) Place lamp on back plate.  
(B) Tighten screws.



### 4.

(A) Slide in glass from above.  
(B) Insert light bulb, then switch on.

