

BESTLITE BL1 // TABLE LAMP, EU MODEL

BESTLITE COLLECTION

Designed by Robert Dudley Best

PRODUCT



Item no.: 001-0110X
+ style code

COLOURS



DESCRIPTION

Bestlite has been in continuous production since 1930. Robert Dudley Best created Bestlite design. He was highly influenced by the Bauhaus. In the past 80 years, people appreciated the lamps and it decorates many homes, hotels and restaurants worldwide. Loved by architects, designers and design aficionados throughout its 80-year history, today, Bestlite enjoys global iconic status.

VERSION - BESTLITE TABLE LAMP BL1

Shade and base: Black, White or Off-White
Tube and arm: Chrome

RAL codes are indicative.

- Fabric wire - Black:
- Black / White inside // RAL 9004 / RAL 9003 // Gloss level 8 / Gloss level 20
- Fabric wire - Off-White:
- Off-White / White inside // RAL 1015 / RAL 9003 // Gloss level 20 / Gloss level 20
- Fabric wire - White:
- White / White inside // RAL 9003 / RAL 9003 // Gloss level 20 / Gloss level 20

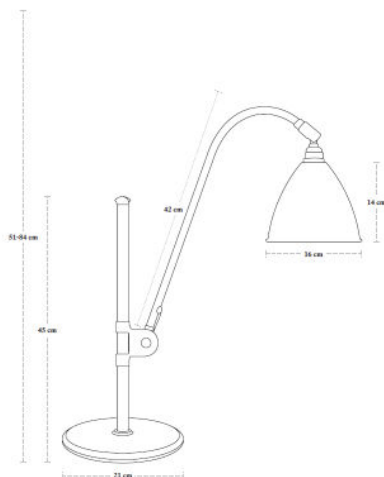
Please contact us for other colours or finishes.

VERSION

Order item - look for part number in the pricelist.

Series contains the following:

BL1, BL2



FACTS

MEASUREMENT - L X W X H MM

Lamp height: 510-840 mm
Lamp stand: Ø210 mm
Shade height: 140 mm
Shade diameter: Ø160 mm
Cord - total length w/sw: App. 2500 mm
Cord - exposed out of lamp: App. 2000 mm

WEIGHT ITEM - LAMP INCL. WIRE

3368 g

PACKAGING TYPE

White cardboard box w/ 5ply corrugated

PACKAGING MEASUREMENT - L X W X H CM

L:39 x W:62 x H:25 cm

WEIGHT PACKAGING - MATERIAL TYPE

- Paper Egg crate: 1106 g
- PE polybag: 100 g
- Bestlite key: 18 g
- PE polybag: 1 g
- Cardboard outside: 799 g
- Cardboard top: 85 g

WEIGHT PACKAGING - TOTAL

5477 g

NUMBER OF PARCELS

1 pcs.

LIGHT SOURCE:

- Socket: E14 base
- Recommended light source: *All fluorescens light bulbs*
- Recommended wattage: 9 W = (40 WATT incandescent bulbs)
- Max wattage: 13 W

- Recommended light source: *Halogen light bulb*
- Recommended wattage: 28 W = (40 WATT incandescent bulbs)
- It is possible to install with light dimmer

- All lamps can be fitted with a dimmer.
Please contact your local electrician.

- Lightbulb not included

BESTLITE BL1 // TABLE LAMP, EU MODEL

Designed by Robert Dudley Best

CLEANING AND MAINTENANCE

Use a soft damp cloth when cleaning your Bestlite lamp. Do not use household cleaners.

ACCESSORIES

Item no.: 001-99058A plug EU

ENVIRONMENT

-

TESTS

Class II IP20
BS EN 60598-2-4:1998 with BS EN 60598-1:2000

CERTIFICATION AND LABELS

CE-CERTIFIED

STANDARD

STOCK - BL1: Table lamp

- Euro plug: Type C, 2 PIN, 2,5 amp
- Euro voltage: 230 V
- Frequency: 50 Hz
- Supply voltage: AC power ~
- Normally Closed IP20



Class II / Double insulated



CE-Mark



Luminaires accepted for mounting on a flammable base



KOMPONENTS

Item no.: 001-0110X

- 01 // Shade
- 05 // Lamp holder
- 10 // Insulating ring
- 11 // Internal shade ring
- 12 // External shade ring
- 13 // Lamp holder cover
- 15 // Universal joint
- 16 // Bestlite arm
- 18 // Bestlite clip
- 19 // Bestlite nut
- 20 // Bestlite bolt
- 21 // Tension spring
- 22 // Fibre washer
- 23 // Cord grip
- 24 // Cord grip cover
- 25 // Acetate
- 26 // Top knob
- 28 // Tube
- 31 // Collar
- 33 // Base cover
- 36 // Feltac
- 38 // Textile covered cord
- 40 // Switch
- 14 // Bestlite key
- 58 // Plug

MATERIAL

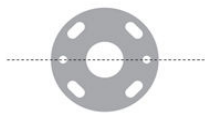
Shade and base: Powder coated aluminium
Tube and arm: Chromed steel
Textile covered cord

INSTALLATION INSTRUCTIONS

The Bestlite key:

It's a practical tool that enables you to fasten the lamp arm. Simply use it like a screwdriver in the slot

1.7 handle for positioning.
Cut out or make a groove, and use directly on your wall for accurate placing of the hole.
Mark out the following shape.



Technical information:

Light source: E14 x 40W incandescent or 40W halogen bulb.
Not power of more than 40W bulb.

The lamp is not approved for outdoor use or use in damp or wet rooms.

Some advice on cleaning your Bestlite:

Powder coated parts - base/bracket and shade:
Wipe the parts with a damp cloth. Avoid to use any kind of oil or solvent.

Chrome plated parts:
Wipe the parts with a damp cloth and avoid to use any kind of oil or solvent.
If the surface is scratched, use a mild abrasive cleaner for chrome or other self-cleaning.

Use only soft cloths for wiping and polishing, never scourer or steel wool.
Do not use abrasive household cleaners.
Do not use acids or alkaline cleaning products, glass cleaner or household ammonia.

BESTLITE - GUBI, Østervej 7-9, DK-2100, Copenhagen, Denmark - www.bestlite.com



Over Bestlite customer:

Original design of the Bestlite.
The Bestlite design is a classic design, which has been
reproduced in a modern and elegant style.

At the Bestlite design, the Bestlite is a classic design,
which has been reproduced in a modern and elegant style.

Do not use any kind of oil or solvent.
If the surface is scratched, use a mild abrasive cleaner for chrome or other self-cleaning.

Use only soft cloths for wiping and polishing, never scourer or steel wool.
Do not use abrasive household cleaners.
Do not use acids or alkaline cleaning products, glass cleaner or household ammonia.

BESTLITE - GUBI, Østervej 7-9, DK-2100, Copenhagen, Denmark - www.bestlite.com

BESTLITE
GUBI

