

BESTLITE BL5 // WALL LAMP, HARD WIRED (LNSWITCHED), EU MODEL

Designed by Robert Dudley Best

PRODUCT



Item no.: 001-0516X
+ style code

DESCRIPTION

Bestlite has been in continuous production since 1930. Robert Dudley Best created Bestlite design. He was highly influenced by the Bauhaus. In the past 80 years, people appreciated the lamps and it decorates many homes, hotels and restaurants worldwide. Loved by architects, designers and design aficionados throughout its 80-year history, today, Bestlite enjoys global iconic status.

VERSION - BESTLITE WALL LAMP BL5

Shade and base: Powder coated aluminium
Tube and arm: Chromed steel

RAL codes are indicative.

- Fabric wire - Black:
- Black / White inside // RAL 9004 / RAL 9003 // Gloss level 20 / Gloss level 20
- Fabric wire - Off-White:
- Off-White / White inside // RAL 1015 / RAL 9003 // Gloss level 20 / Gloss level 20
- Fabric wire - White:
- White / White inside // RAL 9003 / RAL 9003 // Gloss level 20 / Gloss level 20

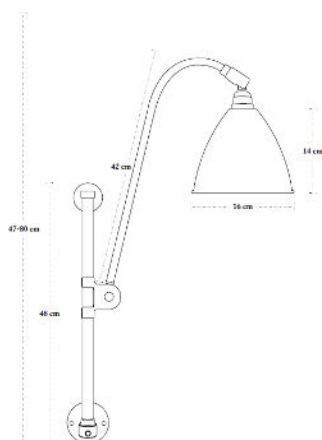
Please contact us for other colours or finishes.

VERSION

Order item - look for part number in the pricelist.

Series contains the following:

BL5, BL6, BL7, BL10



COLOURS



FACTS

MEASUREMENT - L X W X H MM

Lamp height: 470-800 mm
Tube length: 480 mm
Shade height: 140 mm
Shade diameter: Ø160 mm
Cord - total length w/sw: App. 2400 mm
Cord - exposed out of lamp: App. 2000 mm

WEIGHT ITEM - LAMP INCL. WIRE

1323 g

PACKAGING TYPE

White cardboard box w/ 5ply corrugated

PACKAGING MEASUREMENT - L X W X H CM

L:22 x W:61 x H:26 cm

WEIGHT PACKAGING - MATERIAL TYPE

- Paper Egg crate: 800 g
- Bestlite key: 18 g
- PE polybag: 1 g
- Screws: 4,5 g
- PE polybag: 60g
- Cardboard outside: 800 g
- Cardboard top: 84 g

WEIGHT PACKAGING - TOTAL

3200 g

NUMBER OF PARCELS

1 pcs.

LIGHT SOURCE

- Socket: E14 base
- Recommended light source: *All fluorescens light bulbs*
- Recommended wattage: 9 W ~ (40 WATT incandescent bulbs)
- Max wattage: 13 W

- Recommended light source: *Halogen light bulb*

- Recommended wattage: 28 W ~ (40 WATT incandescent bulbs)
- Max wattage: 28 W

- All lamps can be fitted with a dimmer.
Please contact your local electrician.

- Lightbulb not included

BESTLITE BL5 // WALL LAMP, HARD WIRED (UNSWITCHED), EU MODEL

Designed by Robert Dudley Best

CLEANING AND MAINTENANCE

Use a soft damp cloth when cleaning your Bestlite lamp. Do not use household cleaners.

ACCESSORIES

-

ENVIRONMENT

-

TESTS

-

CERTIFICATION AND LABELS

CE-CERTIFIED

STOCK - BL5 Hard-wired (unswitched):
No cord, no switch
(to be monted directly on electrical outlet)

- Euro voltage: 230 V
- Frequency: 50 Hz
- Supply voltage: AC power ~
- Normally Closed IP20



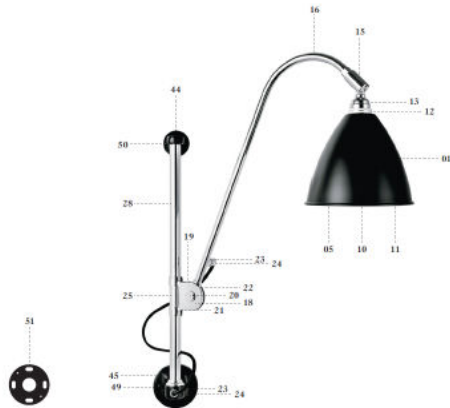
Class II / Double insulated



CE-Mark



Luminaires accepted for mounting on a flammable base



KOMPONENTS

Item no.: 001-0516X

- 01 // Shade Ø16
- 05 // Lamp holder
- 10 // Insulating ring
- 11 // Internal shade ring
- 12 // External shade ring
- 13 // Lamp holder cover
- 15 // Universal joint
- 16 // Bestlite arm
- 18 // Bestlite "clip"
- 19 // Bestlite nut
- 20 // Bestlite bolt
- 21 // Tension spring
- 22 // Fibre washer
- 23 // Cord grip
- 24 // Cord grip cover
- 25 // Acetate
- 44 // Top bracket
- 45 // Wall bracket
- 49 // Screw 9x19 mm
- 50 // Screw 6x36 mm.
- 51 // Mounting plate Ø7 cm

MATERIAL

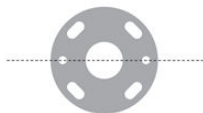
Shade and base: Powder coated aluminium
Tube and arm: Chromed steel

INSTALLATION INSTRUCTIONS

The Bestlite key:

It's a practical tool that enables you to fasten the lamp arm. Simply use it like a screwdriver in the slot in the Bestlite nut.

1. Handle for assembly
Cut out at point A, punch through, and use directly on your wall for accurate alignment of the hole. Refer to the dotted line to level.



Technical information

Light source: Ø16 E 27 max. recommended at 40W halogen bulb.
Not power of other changing light bulb.
The lamp is not approved for outdoor use or use in damp wet rooms.

Some advice on cleaning your Bestlite:

Powder coated parts - base (bracket) and shade:
Wipe the parts with a damp cloth soaked in warm water and a bit of mild detergent.

Chrome plated parts:

Wipe the parts with a damp cloth and wipe dry by using a soft cloth.
If the surface is abraded use a mild polish made especially for chrome or other soft metals.

Use only soft cloths for wiping and polishing, never sponges or steel wool.
Do not use abrasive household cleaners.

Do not use acidic or alkaline cleaning products, glass cleaner or household ammonia.

BESTLITE - GUBI, Østergade 74, DK-2100, Copenhagen, Denmark - www.bestlite.com



Quick fix system

Original Bestlite lamp holder.

The lamp holder is made of plastic and has a slot for the Bestlite key. This slot is used to align the lamp holder with the wall bracket.

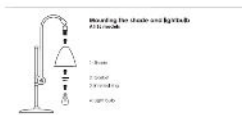
On the other side of the lamp holder, there is a hole for the Bestlite key. This hole is used to align the lamp holder with the wall bracket.

Do not use any other mounting plate holders to mount the lamp holder.

See page 10.

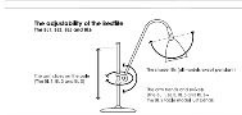
Bestlite

BESTLITE
SINCE 1930



Mounting the shade and light bulb
The BL5 lamp

- 1. Shade
- 2. Lamp holder
- 3. Light bulb



The adjustability of the Bestlite
The BL5 lamp

The lamp arm can be adjusted in 90° increments. To adjust the lamp arm, use the Bestlite key to turn the Bestlite nut. The lamp arm will then rotate to the desired position.



The Bestlite key
The BL5 lamp

Always use the Bestlite key to adjust the lamp arm. Do not use any other tools to adjust the lamp arm.



Wall mounting instructions
The BL5 lamp

- 1. Wall mounting plate
- 2. Wall bracket

The wall mounting plate

The wall mounting plate is made of plastic and has a slot for the Bestlite key. This slot is used to align the wall mounting plate with the wall bracket.

Construction and plate

- 1. The wall mounting plate is made of plastic and has a slot for the Bestlite key.
- 2. The wall bracket is made of metal and has a hole for the Bestlite key.
- 3. The Bestlite key is used to align the wall mounting plate with the wall bracket.