
GUBI Dining Table - Eliptical, 100x200

Designed by Komplot Design - 2013



ITEM NUMBER

10785

DESCRIPTION

The Gubi Dining table is designed by Komplot Design. The legs in laminated wood are available in lacquered walnut, oak or black stained ash. The table tops are in 22 mm MDF with lacquered walnut veneer, oak veneer, black stained ash or white laminate with black stained edges. These table tops are matched with the wooden base in the same type of veneer. The Gubi dining table comes in 3 different sizes: Round Ø120 cm, rectangular 100 x 200 cm and elliptical 120 x 230 cm

Materials & Finishes

LEG FINISH

Black stained Ash Semi Matt Lacquered Veneer - Gloss level 15

Oak Semi Matt Lacquered Veneer - Gloss level 15

American Walnut Semi Matt Lacquered Veneer - Gloss level 15



TABLE TOP FINISH

Black stained Ash Semi Matt Lacquered Veneer - Gloss level 15

Oak Semi Matt Lacquered Veneer - Gloss level 15

American Walnut Semi Matt Lacquered Veneer - Gloss level 15



MATERIALS

Wood Veneer / MDF

Dimensions

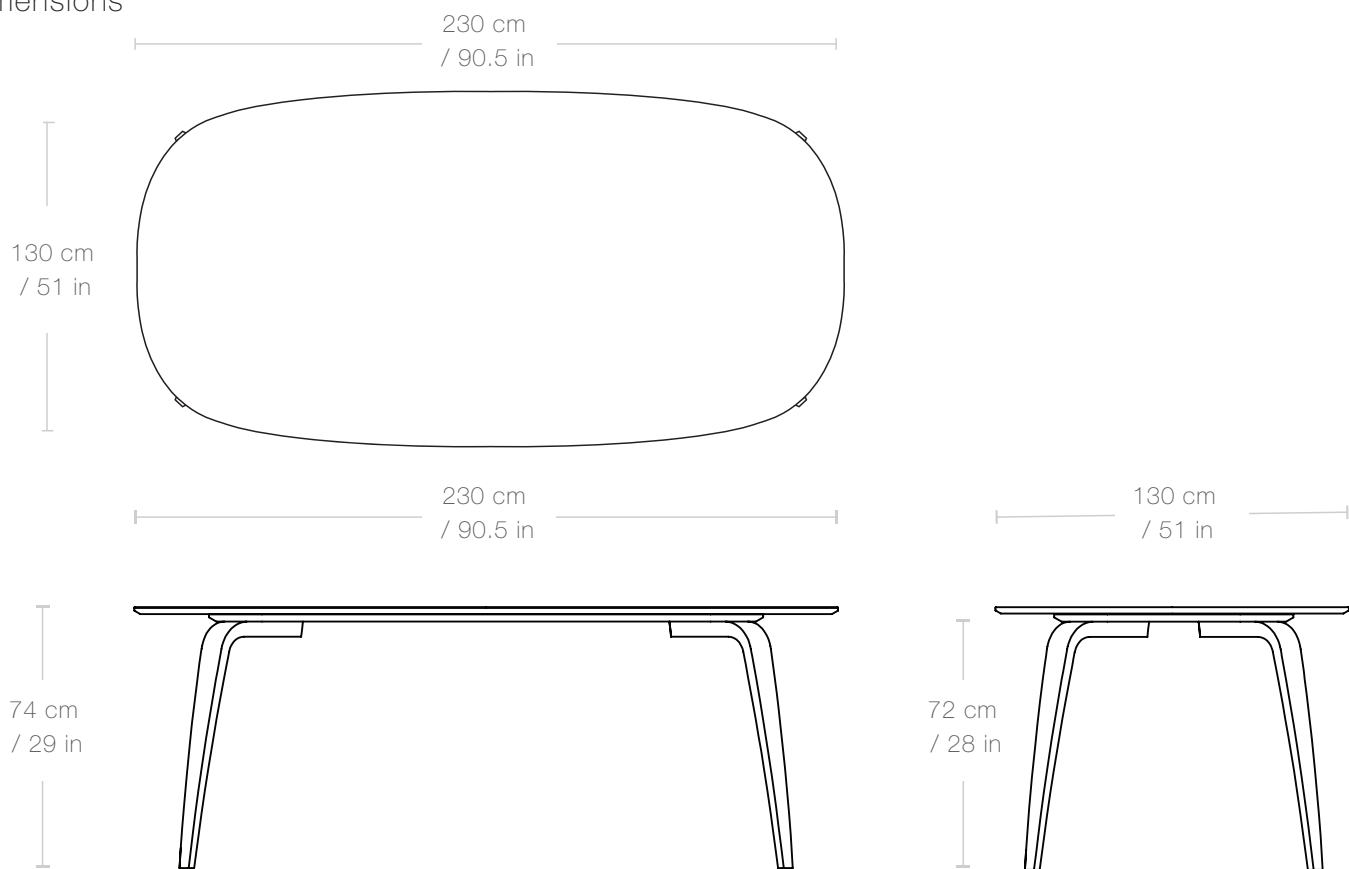


TABLE WIDTH

130 cm / 51 in

TABLE LENGTH

230 cm / 90.5 in

HEIGHT

74 cm / 29 in

SEATING HEIGHT CLEARANCE

70 cm / 27.5 in

TABLE TOP THICKNESS

2 cm / 0,80 in

Weight

TOTAL WEIGHT 55.6 kg

Packaging

NUMBER OF PARCELS 2

PACKAGING LENGTH 236 cm

PACKAGING WIDTH 126.8 cm

PACKAGING HEIGHT 7,5 cm

PACKAGING WEIGHT 14,7 kg

GROSS WEIGHT 70.3 kg

Test & Certifications

TSCA TITLE 5 USA only

SUSTAINABILITY Parts can be separated and sorted for recycling

KEY FEATURES DWR exclusive
