

Care Instructions

Cross Extending Table

Cross Extending Table – designed by Matthew Hilton

To prolong the life of the product and retain its appearance and functionality, we would like to give you some relevant information and care advice:-

This unit is manufactured oak or walnut depending on the finish. The legs and underframe are solid - the top and extension leaves are veneered for greater stability.

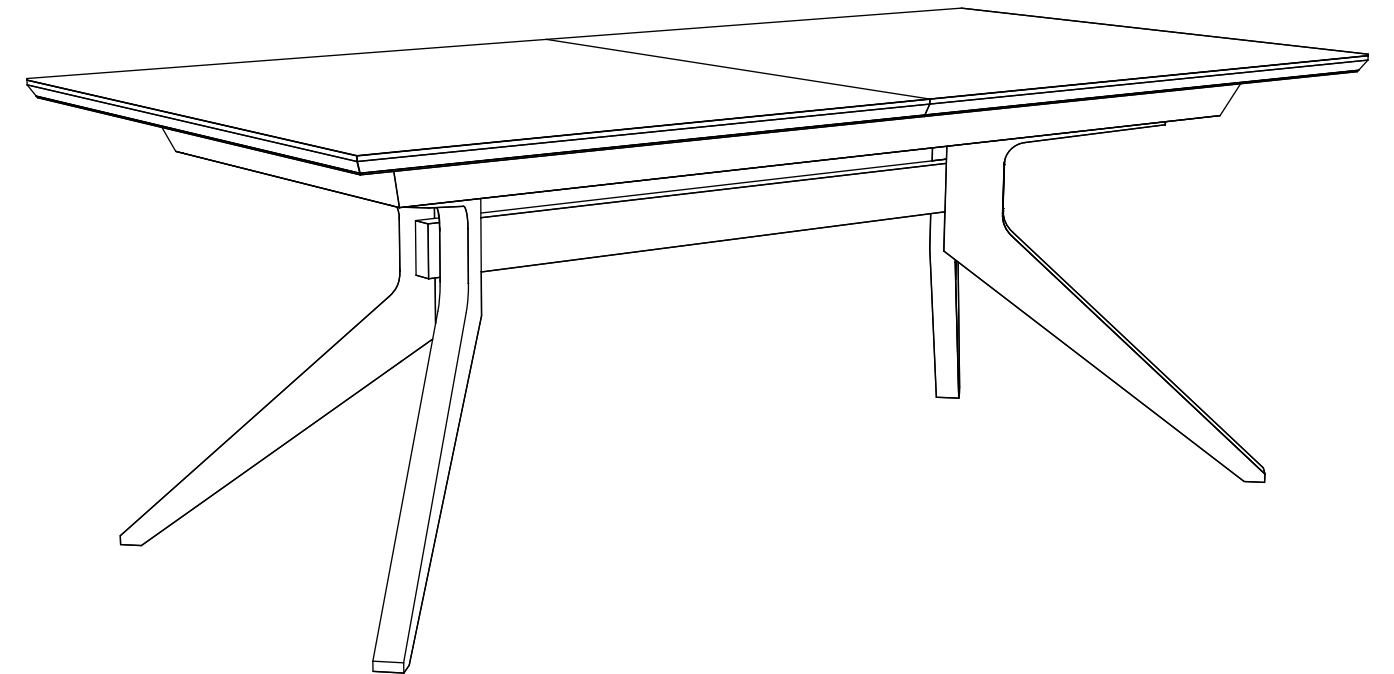
Skilled craftsmen manufacture this product and there is variety between each unit. This is because wood is a natural product, with natural colour and grain variations.

Natural timber is affected by sunlight; this can cause the wood colour to darken. For this reason (especially if placed in direct sunlight) it is recommended that placing objects in the same position for long periods of time is avoided. This potential colour adjustment becomes less relevant as the product ages.

It is recommended that no abrasive cleaners or solvents are used to clean the unit. Please only use proprietary furniture polishes or alternatively, warm water with a diluted mild detergent.

We thank you for purchasing this product and wish you many years of enjoyable and functional use.

For more related products please visit: casefurniture.com

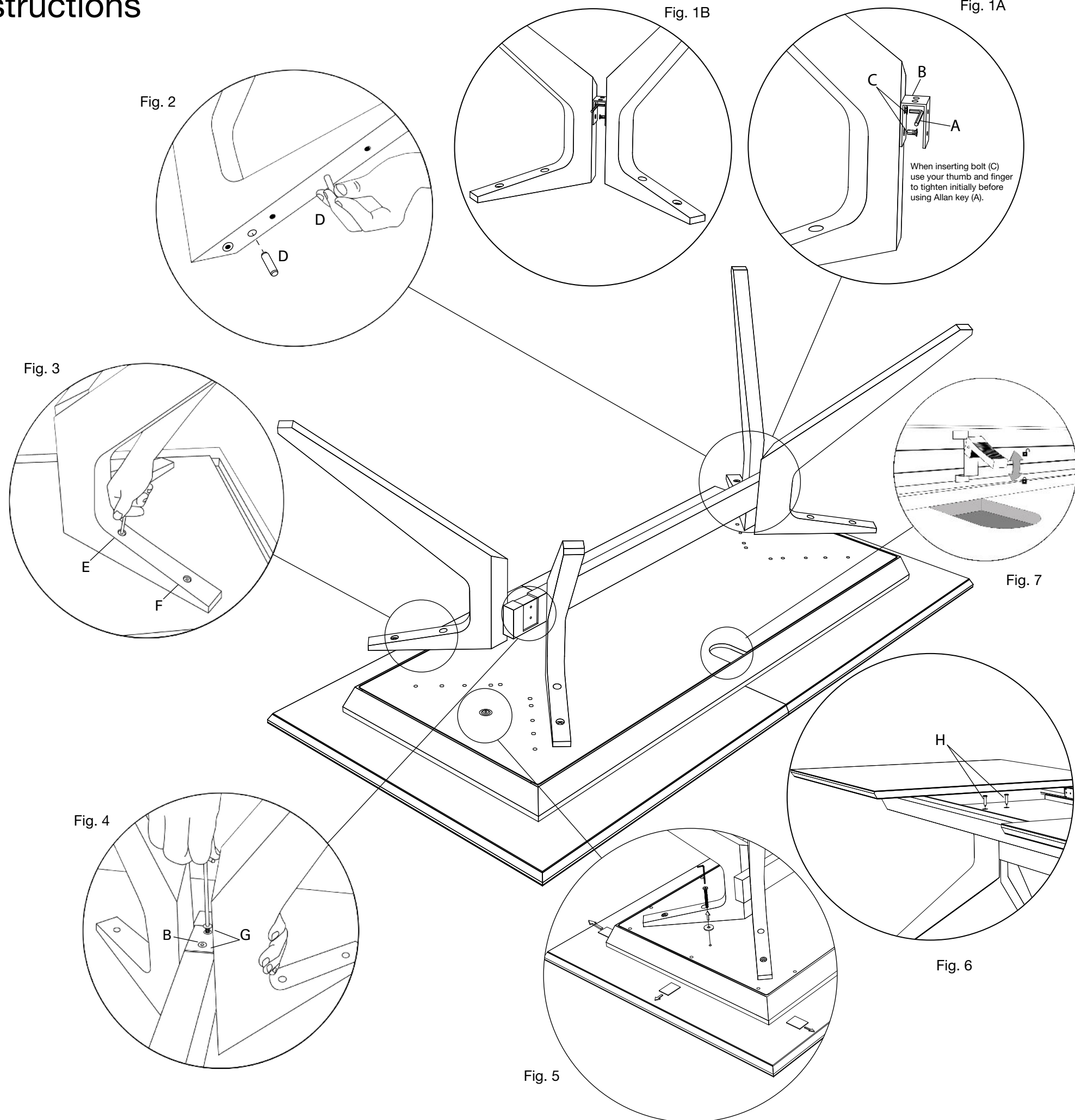
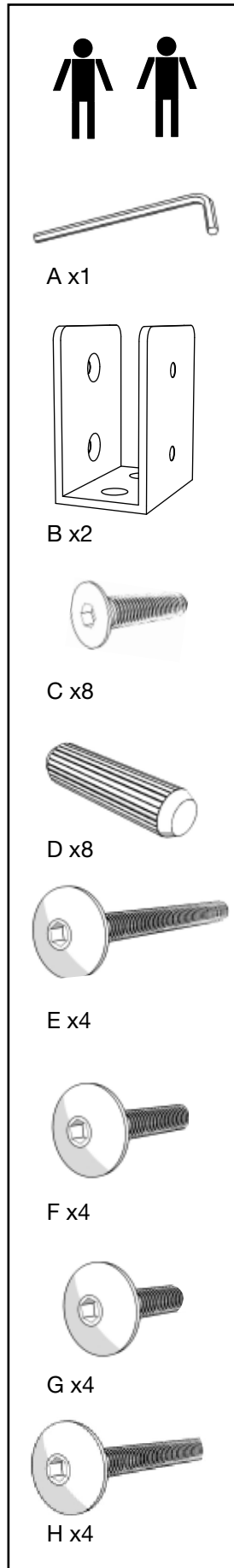


case

Case Furniture Ltd
London, SW18 2HZ
United Kingdom
info@casefurniture.com
casefurniture.com

case

Assembly Instructions



1. Unpack all components and allow ample room for assembly and turning.
2. Attach bracket (B) to one leg using bolts (C) and allen key (A) once fully tightened attach second leg and repeat for second set of legs. Ensure the brackets are the correct way up. (Fig. 1A + 1B)
3. Insert dowels (D) into the two holes shown and repeat for each set of legs. (Fig. 2)
4. Fasten all legs to the underframe using long bolts (E) and medium bolts (F) and allen key (A). **FULLY TIGHTEN BOLTS.** (Fig. 3)
5. Slot the crossbar into the leg brackets (B) and tighten using short bolt (G) and Allen Key (A) (Fig. 4)
6. Now tighten all leg and crossbar bolts. The table can now be turned onto its feet. **THE TABLE IS EXTREMELY HEAVY. TAKE EXTRA CARE WHEN TURNING AND DO NOT LIFT BY THE TABLE TOP - USE THE UNDERFRAME TO LIFT THE TABLE**
7. After turning the table onto its feet release the transit bolts on both ends of the underside of the table and remove the 3 packers at each end of the top. (Fig. 5)
8. Open the top fully and insert the bolts (H) into the holes inside the felt lined area at both ends of the table. Tighten fully with allen key (A) (Fig. 6)
9. To extend the table and store leaves, release the locking-tabs - accessed by the holes on the underside of the centre of the table. Pull tabs down to lock the top in place. (Fig. 7)

