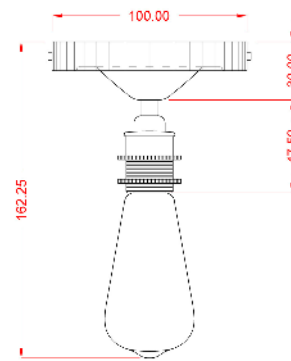


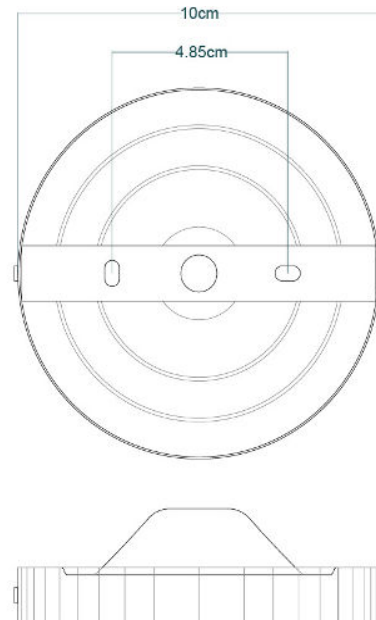
BEXTER Ceiling Light

MLCF109ANTBRS Antique Brass



MATERIAL	Brass
HEIGHT	8.5cm 3.35"
WIDTH DIAMETER	10cm 3.94"
LENGTH PROJECTION	n/a
WEIGHT	0.22KG 0.49lbs
LAMPHOLDER	E27 x 1
MAX WATTAGE	60W x 1
VOLTAGE	220/240v
IP RATING	20
CLASS PROTECTION	I
SHADE	-
FLEX BAR CHAIN LENGTH	n/a
CABLE TYPE	-

Fixing Bracket MLWB02 | Antique Brass

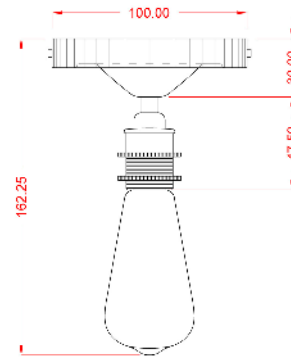


Product Notes:

- 1) Lamps not included with light fixture.
- 2) All products are individually hand crafted, therefore may differ slightly within manufacturing tolerances.
- 3) Please refer to: <http://www.mullanlighting.com/terms> for full list of Terms & Conditions.
- 4) Cable/Chain can be shortened during installation.
- 5) Longer Cable/Chain available on request.
- 6) Additional colour finishes available on request.
- 7.) Dimensions do not include lamps.
- 8.) Products wired to UL standards will operate at 110/120v with the appropriate lampholders.

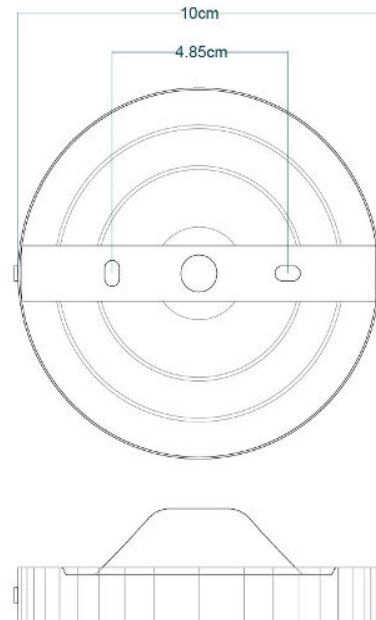
BEXTER Ceiling Light

MLCF109ANTSLV Antique Silver



MATERIAL	Brass
HEIGHT	8.5cm 3.35"
WIDTH DIAMETER	10cm 3.94"
LENGTH PROJECTION	n/a
WEIGHT	0.22KG 0.49lbs
LAMPHOLDER	E27 x 1
MAX WATTAGE	60W x 1
VOLTAGE	220/240v
IP RATING	20
CLASS PROTECTION	I
SHADE	-
FLEX BAR CHAIN LENGTH	n/a
CABLE TYPE	-

Fixing Bracket MLWB02 | Antique Silver

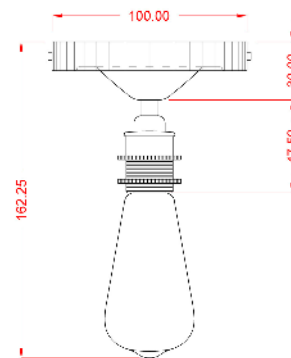


Product Notes:

1) Lamps not included with light fixture. 2) All products are individually hand crafted, therefore may differ slightly within manufacturing tolerances. 3) Please refer to: <http://www.mullanlighting.com/terms> for full list of Terms & Conditions. 4) Cable/Chain can be shortened during installation. 5) Longer Cable/Chain available on request. 6) Additional colour finishes available on request. 7.) Dimensions do not include lamps. 8.) Products wired to UL standards will operate at 110/120v with the appropriate lampholders.

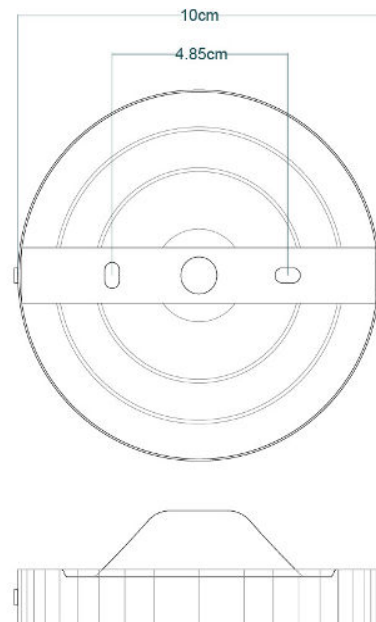
BEXTER Ceiling Light

MLCF109POLBRS Polished Brass



MATERIAL	Brass
HEIGHT	8.5cm 3.35"
WIDTH DIAMETER	10cm 3.94"
LENGTH PROJECTION	n/a
WEIGHT	0.22KG 0.49lbs
LAMPHOLDER	E27 x 1
MAX WATTAGE	60W x 1
VOLTAGE	220/240v
IP RATING	20
CLASS PROTECTION	I
SHADE	-
FLEX BAR CHAIN LENGTH	n/a
CABLE TYPE	-

Fixing Bracket MLWB02 | Polished Brass

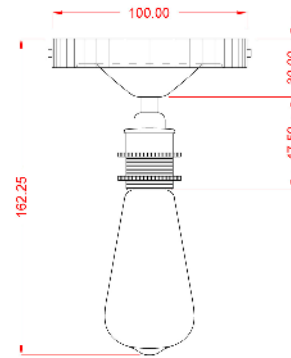


Product Notes:

1) Lamps not included with light fixture. 2) All products are individually hand crafted, therefore may differ slightly within manufacturing tolerances. 3) Please refer to: <http://www.mullanlighting.com/terms> for full list of Terms & Conditions. 4) Cable/Chain can be shortened during installation. 5) Longer Cable/Chain available on request. 6) Additional colour finishes available on request. 7.) Dimensions do not include lamps. 8.) Products wired to UL standards will operate at 110/120v with the appropriate lampholders.

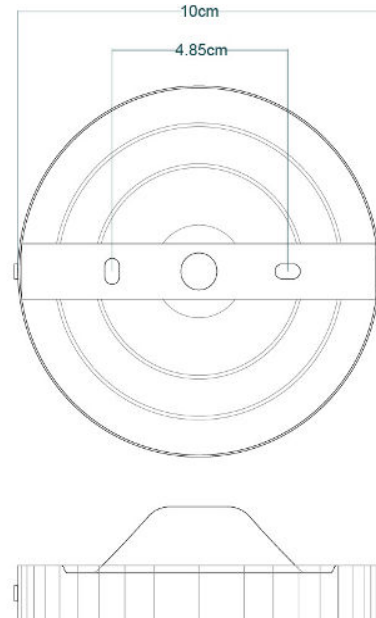
BEXTER Ceiling Light

MLCF109POLCHR Polished Chrome



MATERIAL	Brass
HEIGHT	8.5cm 3.35"
WIDTH DIAMETER	10cm 3.94"
LENGTH PROJECTION	n/a
WEIGHT	0.22KG 0.49lbs
LAMPHOLDER	E27 x 1
MAX WATTAGE	60W x 1
VOLTAGE	220/240v
IP RATING	20
CLASS PROTECTION	I
SHADE	-
FLEX BAR CHAIN LENGTH	n/a
CABLE TYPE	-

Fixing Bracket MLWB02 | Polished Chrome

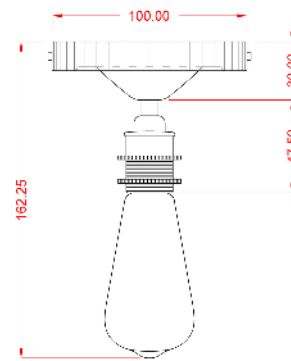


Product Notes:

1) Lamps not included with light fixture. 2) All products are individually hand crafted, therefore may differ slightly within manufacturing tolerances. 3) Please refer to: <http://www.mullanlighting.com/terms> for full list of Terms & Conditions. 4) Cable/Chain can be shortened during installation. 5) Longer Cable/Chain available on request. 6) Additional colour finishes available on request. 7.) Dimensions do not include lamps. 8.) Products wired to UL standards will operate at 110/120v with the appropriate lampholders.

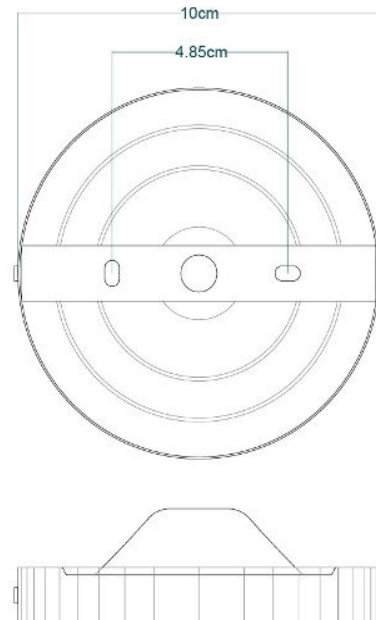
BEXTER Ceiling Light

MLCF109POLCOP Polished Copper



MATERIAL	Brass Copper
HEIGHT	8.5cm 3.35"
WIDTH DIAMETER	10cm 3.94"
LENGTH PROJECTION	n/a
WEIGHT	0.22KG 0.49lbs
LAMPHOLDER	E27 x 1
MAX WATTAGE	60W x 1
VOLTAGE	220/240v
IP RATING	20
CLASS PROTECTION	I
SHADE	-
FLEX BAR CHAIN LENGTH	n/a
CABLE TYPE	-

Fixing Bracket MLWB02 | Copper

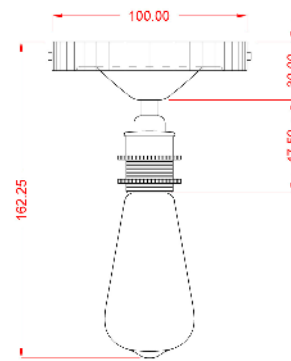


Product Notes:

1) Lamps not included with light fixture. 2) All products are individually hand crafted, therefore may differ slightly within manufacturing tolerances. 3) Please refer to: <http://www.mullanlighting.com/terms> for full list of Terms & Conditions. 4) Cable/Chain can be shortened during installation. 5) Longer Cable/Chain available on request. 6) Additional colour finishes available on request. 7.) Dimensions do not include lamps. 8.) Products wired to UL standards will operate at 110/120v with the appropriate lampholders.

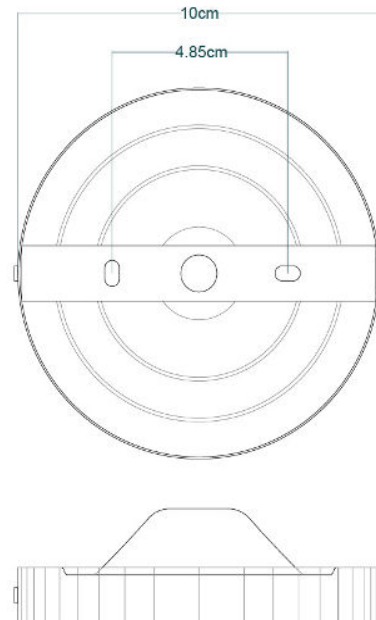
BEXTER Ceiling Light

MLCF109SATBRS Satin Brass



MATERIAL	Brass
HEIGHT	8.5cm 3.35"
WIDTH DIAMETER	10cm 3.94"
LENGTH PROJECTION	n/a
WEIGHT	0.22KG 0.49lbs
LAMPHOLDER	E27 x 1
MAX WATTAGE	60W x 1
VOLTAGE	220/240v
IP RATING	20
CLASS PROTECTION	I
SHADE	-
FLEX BAR CHAIN LENGTH	n/a
CABLE TYPE	-

Fixing Bracket MLWB02 | Satin Brass

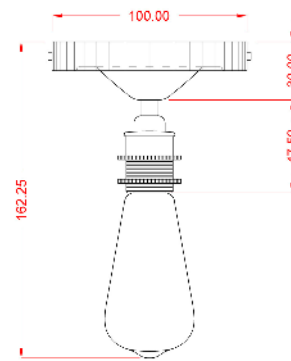


Product Notes:

1) Lamps not included with light fixture. 2) All products are individually hand crafted, therefore may differ slightly within manufacturing tolerances. 3) Please refer to: <http://www.mullanlighting.com/terms> for full list of Terms & Conditions. 4) Cable/Chain can be shortened during installation. 5) Longer Cable/Chain available on request. 6) Additional colour finishes available on request. 7.) Dimensions do not include lamps. 8.) Products wired to UL standards will operate at 110/120v with the appropriate lampholders.

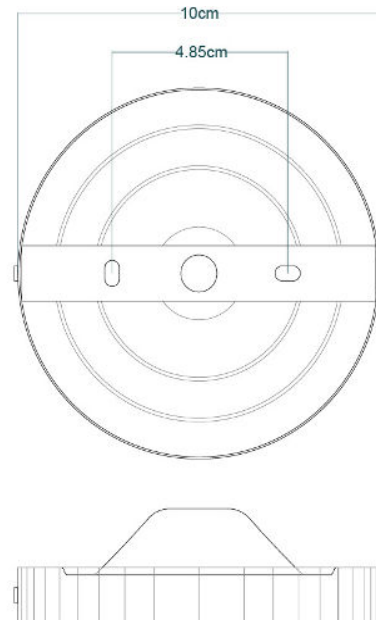
BEXTER Ceiling Light

MLCF109SATCHR Satin Chrome



MATERIAL	Brass
HEIGHT	8.5cm 3.35"
WIDTH DIAMETER	10cm 3.94"
LENGTH PROJECTION	n/a
WEIGHT	0.22KG 0.49lbs
LAMPHOLDER	E27 x 1
MAX WATTAGE	60W x 1
VOLTAGE	220/240v
IP RATING	20
CLASS PROTECTION	I
SHADE	-
FLEX BAR CHAIN LENGTH	n/a
CABLE TYPE	-

Fixing Bracket MLWB02 | Satin Chrome



Product Notes:

1) Lamps not included with light fixture. 2) All products are individually hand crafted, therefore may differ slightly within manufacturing tolerances. 3) Please refer to: <http://www.mullanlighting.com/terms> for full list of Terms & Conditions. 4) Cable/Chain can be shortened during installation. 5) Longer Cable/Chain available on request. 6) Additional colour finishes available on request. 7.) Dimensions do not include lamps. 8.) Products wired to UL standards will operate at 110/120v with the appropriate lampholders.