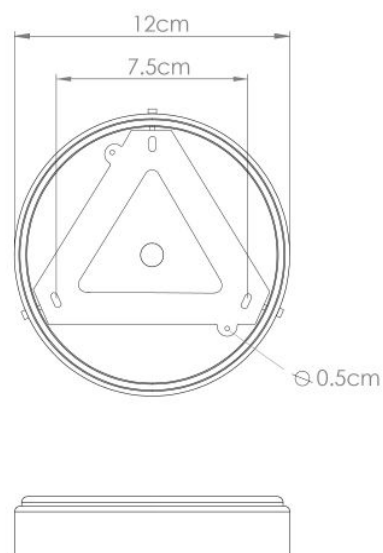




MATERIAL	Brass Ceramic
HEIGHT	29cm 11.42"
WIDTH DIAMETER	11cm 4.33"
LENGTH PROJECTION	18cm 7.09"
WEIGHT	2KG 4.41lbs
LAMPHOLDER	E27 x 2
MAX WATTAGE	40W x 2
VOLTAGE	220/240v
IP RATING	20
CLASS PROTECTION	I
SHADE	MLCS006 x2
FLEX BAR CHAIN LENGT	n/a
CABLE TYPE	-

Fixing Bracket MLWB17| Antique Brass



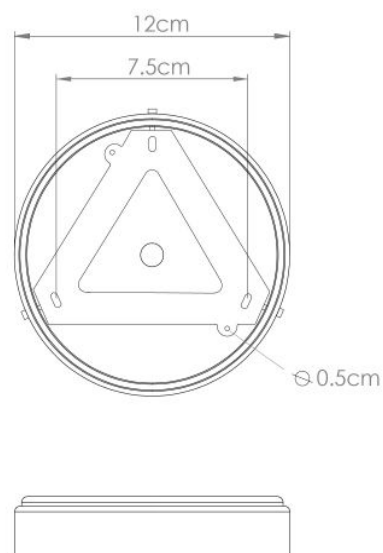
Product Notes:

1) Lamps not included with light fixture. 2) All products are individually hand crafted, therefore may differ slightly within manufacturing tolerances. 3) Please refer to: <http://www.mullanlighting.com/terms> for full list of Terms & Conditions. 4) Cable/Chain can be shortened during installation. 5) Longer Cable/Chain available on request. 6) Additional colour finishes available on request. 7.) Dimensions do not include lamps. 8.) Products wired to UL standards will operate at 110/120v with the appropriate lampholders.



MATERIAL	Brass Ceramic
HEIGHT	29cm 11.42"
WIDTH DIAMETER	11cm 4.33"
LENGTH PROJECTION	18cm 7.09"
WEIGHT	2KG 4.41lbs
LAMPHOLDER	E27 x 2
MAX WATTAGE	40W x 2
VOLTAGE	220/240v
IP RATING	20
CLASS PROTECTION	I
SHADE	MLCS006 x2
FLEX BAR CHAIN LENGT	n/a
CABLE TYPE	-

Fixing Bracket MLWB17| Antique Silver



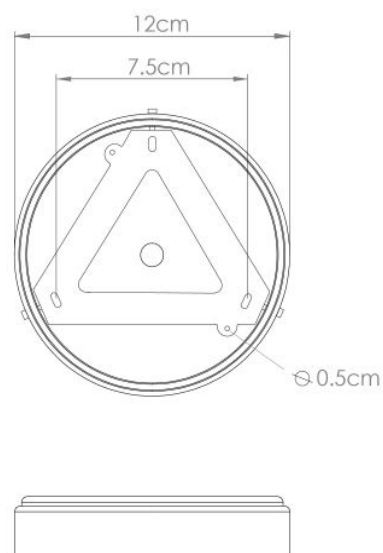
Product Notes:

1) Lamps not included with light fixture. 2) All products are individually hand crafted, therefore may differ slightly within manufacturing tolerances. 3) Please refer to: <http://www.mullanlighting.com/terms> for full list of Terms & Conditions. 4) Cable/Chain can be shortened during installation. 5) Longer Cable/Chain available on request. 6) Additional colour finishes available on request. 7.) Dimensions do not include lamps. 8.) Products wired to UL standards will operate at 110/120v with the appropriate lampholders.



MATERIAL	Brass Ceramic
HEIGHT	29cm 11.42"
WIDTH DIAMETER	11cm 4.33"
LENGTH PROJECTION	18cm 7.09"
WEIGHT	2KG 4.41lbs
LAMPHOLDER	E27 x 2
MAX WATTAGE	40W x 2
VOLTAGE	220/240v
IP RATING	20
CLASS PROTECTION	I
SHADE	MLCS006 x2
FLEX BAR CHAIN LENGT	n/a
CABLE TYPE	-

Fixing Bracket MLWB17| Polished Brass



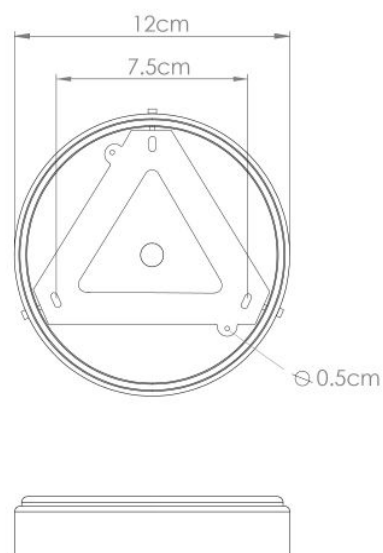
Product Notes:

1) Lamps not included with light fixture. 2) All products are individually hand crafted, therefore may differ slightly within manufacturing tolerances. 3) Please refer to: <http://www.mullanlighting.com/terms> for full list of Terms & Conditions. 4) Cable/Chain can be shortened during installation. 5) Longer Cable/Chain available on request. 6) Additional colour finishes available on request. 7.) Dimensions do not include lamps. 8.) Products wired to UL standards will operate at 110/120v with the appropriate lampholders.



MATERIAL	Brass Ceramic
HEIGHT	29cm 11.42"
WIDTH DIAMETER	11cm 4.33"
LENGTH PROJECTION	18cm 7.09"
WEIGHT	2KG 4.41lbs
LAMPHOLDER	E27 x 2
MAX WATTAGE	40W x 2
VOLTAGE	220/240v
IP RATING	20
CLASS PROTECTION	I
SHADE	MLCS006 x2
FLEX BAR CHAIN LENGT	n/a
CABLE TYPE	-

Fixing Bracket MLWB17| Satin Brass



Product Notes:

1) Lamps not included with light fixture. 2) All products are individually hand crafted, therefore may differ slightly within manufacturing tolerances. 3) Please refer to: <http://www.mullanlighting.com/terms> for full list of Terms & Conditions. 4) Cable/Chain can be shortened during installation. 5) Longer Cable/Chain available on request. 6) Additional colour finishes available on request. 7.) Dimensions do not include lamps. 8.) Products wired to UL standards will operate at 110/120v with the appropriate lampholders.