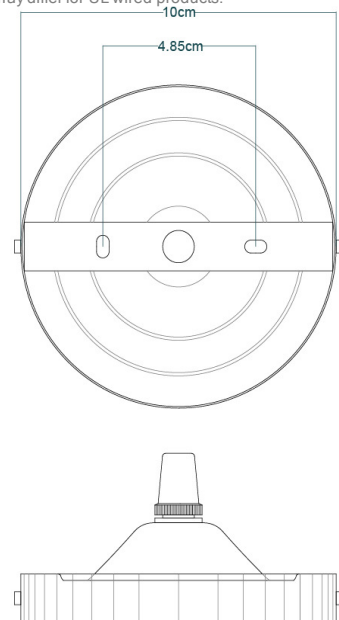


MATERIAL	Brass
HEIGHT	22cm 8.66"
WIDTH DIAMETER	38cm 14.96"
LENGTH PROJECTION	n/a
WEIGHT	0.8KG 1.76lbs
LAMP HOLDER	E27 or E26 *
MAX WATTAGE	40W x 1
VOLTAGE	220/240v or 110/120v *
IP RATING	20
CLASS PROTECTION	I
SHADE CODE	-
CABLE CHAIN BAR LENGT	100cm 40"
CABLE TYPE	MLCA003 2 Core Twist Ivory Braid PVC

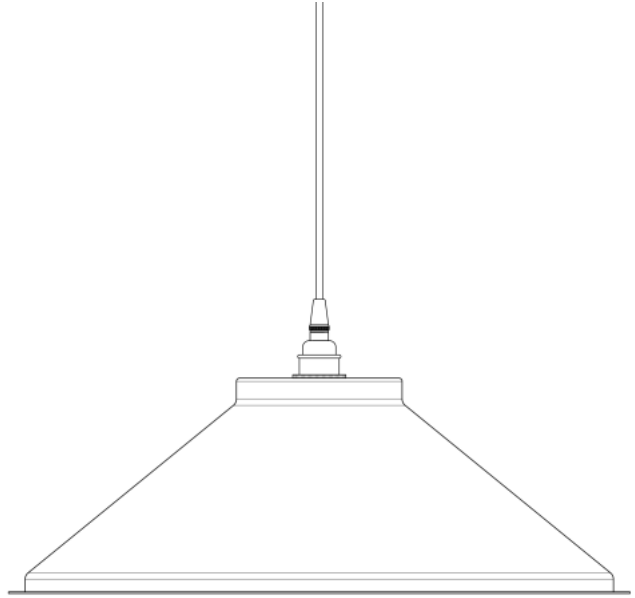
Fixing Bracket MLROSE05GRIP

* Fixing bracket may differ for UL wired products.



Product Notes:

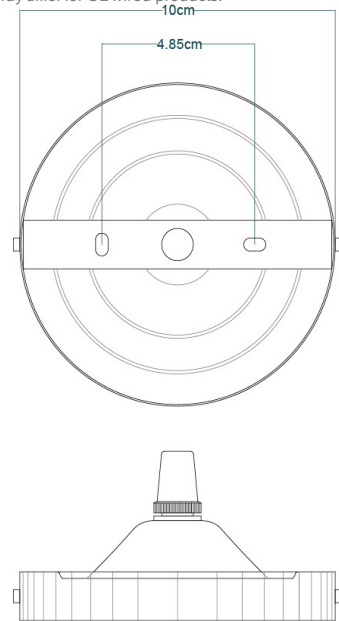
1) Bulbs not included. 2) Dimensions do not include bulbs. 3) All products are individually made-to-order and therefore may differ slightly within manufacturing tolerances. 4) Cable / chain can be shortened during installation. Longer cable / chain lengths available on request. 5) Additional colour finishes may be available on request. 6) UL wired products operate at 110/120v with the appropriate lamp holder. 7) Twisted cable is not available for UL wired products. Round cable in black or brown only is supplied instead. 8) Refer to our website for a full list of terms and conditions.



MATERIAL	Brass
HEIGHT	22cm 8.66"
WIDTH DIAMETER	38cm 14.96"
LENGTH PROJECTION	n/a
WEIGHT	0.8KG 1.76lbs
LAMP HOLDER	E27 or E26 *
MAX WATTAGE	40W x 1
VOLTAGE	220/240v or 110/120v *
IP RATING	20
CLASS PROTECTION	I
SHADE CODE	-
CABLE CHAIN BAR LENGT	100cm 40"
CABLE TYPE	MLCA041 2 Core Twist Green Braid PVC

Fixing Bracket MLROSE05GRIP

* Fixing bracket may differ for UL wired products.

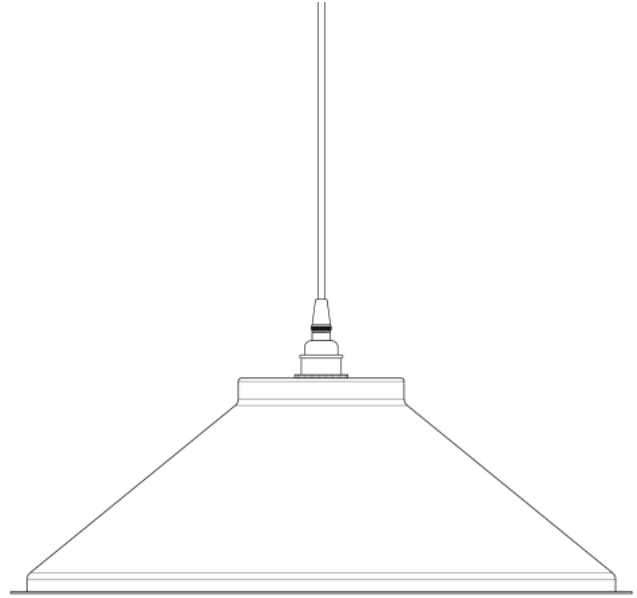


Product Notes:

1) Bulbs not included. 2) Dimensions do not include bulbs. 3) All products are individually made-to-order and therefore may differ slightly within manufacturing tolerances. 4) Cable / chain can be shortened during installation. Longer cable / chain lengths available on request. 5) Additional colour finishes may be available on request. 6) UL wired products operate at 110/120v with the appropriate lamp holder. 7) Twisted cable is not available for UL wired products. Round cable in black or brown only is supplied instead. 8) Refer to our website for a full list of terms and conditions.

RIO Pendant

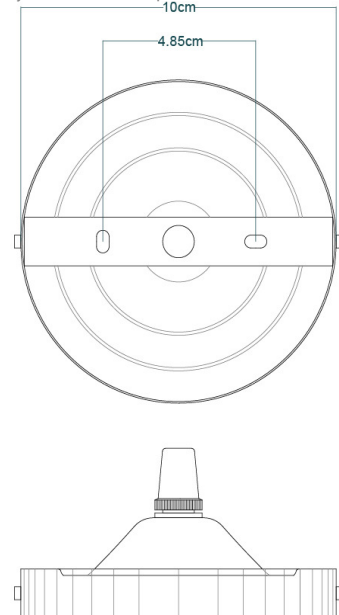
MLP507ANTBRSPCMAP Antique Brass



MATERIAL	Brass
HEIGHT	22cm 8.66"
WIDTH DIAMETER	38cm 14.96"
LENGTH PROJECTION	n/a
WEIGHT	0.8KG 1.76lbs
LAMP HOLDER	E27 or E26 *
MAX WATTAGE	40W x 1
VOLTAGE	220/240v or 110/120v *
IP RATING	20
CLASS PROTECTION	I
SHADE CODE	-
CABLE CHAIN BAR LENGT	100cm 40"
CABLE TYPE	MLCA003 2 Core Twist Ivory Braid PVC

Fixing Bracket MLROSE05GRIP

* Fixing bracket may differ for UL wired products.

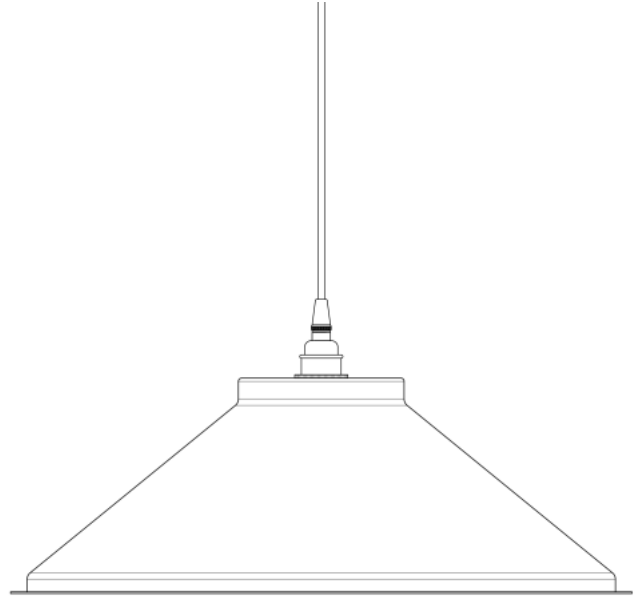


Product Notes:

1) Bulbs not included. 2) Dimensions do not include bulbs. 3) All products are individually made-to-order and therefore may differ slightly within manufacturing tolerances. 4) Cable / chain can be shortened during installation. Longer cable / chain lengths available on request. 5) Additional colour finishes may be available on request. 6) UL wired products operate at 110/120v with the appropriate lamp holder. 7) Twisted cable is not available for UL wired products. Round cable in black or brown only is supplied instead. 8) Refer to our website for a full list of terms and conditions.

RIO Pendant

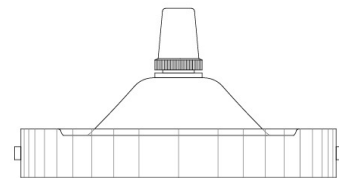
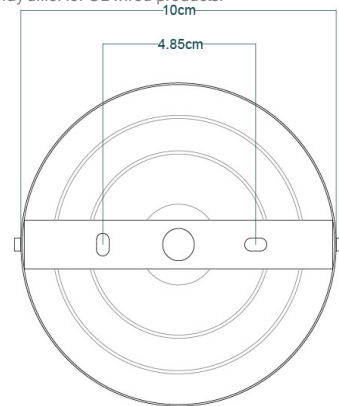
MLP507ANTBRSPCMBK Antique Brass



MATERIAL	Brass
HEIGHT	22cm 8.66"
WIDTH DIAMETER	38cm 14.96"
LENGTH PROJECTION	n/a
WEIGHT	0.8KG 1.76lbs
LAMP HOLDER	E27 or E26 *
MAX WATTAGE	40W x 1
VOLTAGE	220/240v or 110/120v *
IP RATING	20
CLASS PROTECTION	I
SHADE CODE	-
CABLE CHAIN BAR LENGT	100cm 40"
CABLE TYPE	MLCA001 2 Core Twist Black Braid PVC

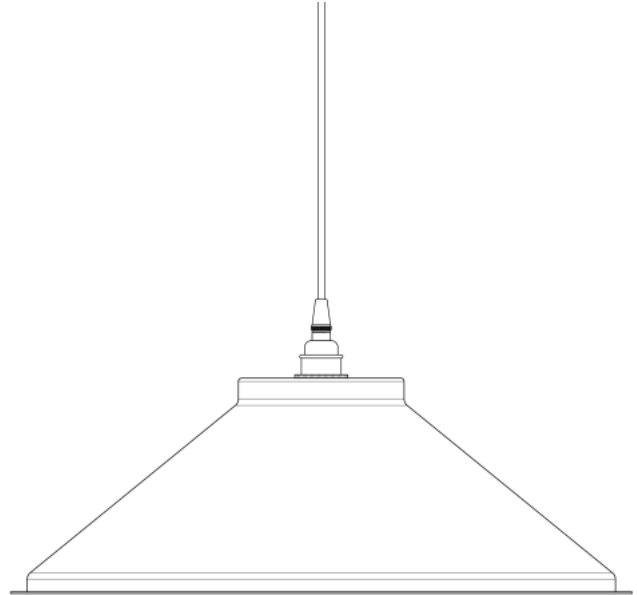
Fixing Bracket MLROSE05GRIP

* Fixing bracket may differ for UL wired products.



Product Notes:

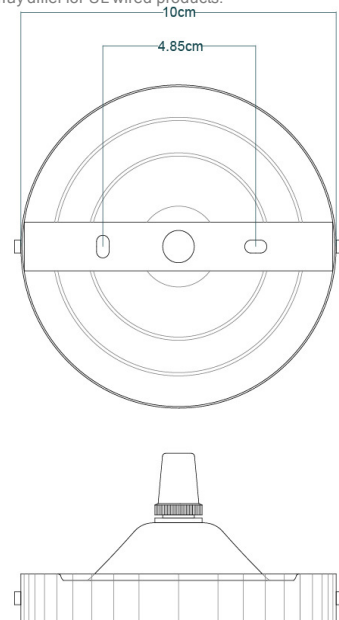
1) Bulbs not included. 2) Dimensions do not include bulbs. 3) All products are individually made-to-order and therefore may differ slightly within manufacturing tolerances. 4) Cable / chain can be shortened during installation. Longer cable / chain lengths available on request. 5) Additional colour finishes may be available on request. 6) UL wired products operate at 110/120v with the appropriate lamp holder. 7) Twisted cable is not available for UL wired products. Round cable in black or brown only is supplied instead. 8) Refer to our website for a full list of terms and conditions.



MATERIAL	Brass
HEIGHT	22cm 8.66"
WIDTH DIAMETER	38cm 14.96"
LENGTH PROJECTION	n/a
WEIGHT	0.8KG 1.76lbs
LAMP HOLDER	E27 or E26 *
MAX WATTAGE	40W x 1
VOLTAGE	220/240v or 110/120v *
IP RATING	20
CLASS PROTECTION	I
SHADE CODE	-
CABLE CHAIN BAR LENGT	100cm 40"
CABLE TYPE	MLCA003 2 Core Twist Ivory Braid PVC

Fixing Bracket MLROSE05GRIP

* Fixing bracket may differ for UL wired products.

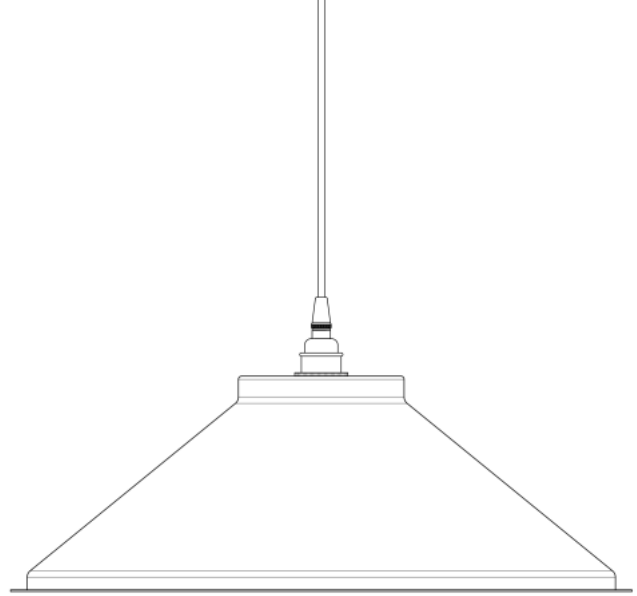


Product Notes:

1) Bulbs not included. 2) Dimensions do not include bulbs. 3) All products are individually made-to-order and therefore may differ slightly within manufacturing tolerances. 4) Cable / chain can be shortened during installation. Longer cable / chain lengths available on request. 5) Additional colour finishes may be available on request. 6) UL wired products operate at 110/120v with the appropriate lamp holder. 7) Twisted cable is not available for UL wired products. Round cable in black or brown only is supplied instead. 8) Refer to our website for a full list of terms and conditions.

RIO Pendant

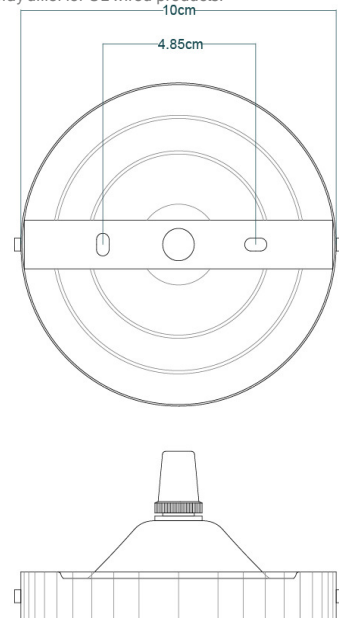
MLP507ANTBRSPCMSB Antique Brass



MATERIAL	Brass
HEIGHT	22cm 8.66"
WIDTH DIAMETER	38cm 14.96"
LENGTH PROJECTION	n/a
WEIGHT	0.8KG 1.76lbs
LAMP HOLDER	E27 or E26 *
MAX WATTAGE	40W x 1
VOLTAGE	220/240v or 110/120v *
IP RATING	20
CLASS PROTECTION	I
SHADE CODE	-
CABLE CHAIN BAR LENGT	100cm 40"
CABLE TYPE	MLCA040 2 Core Twist Blue Braid PVC

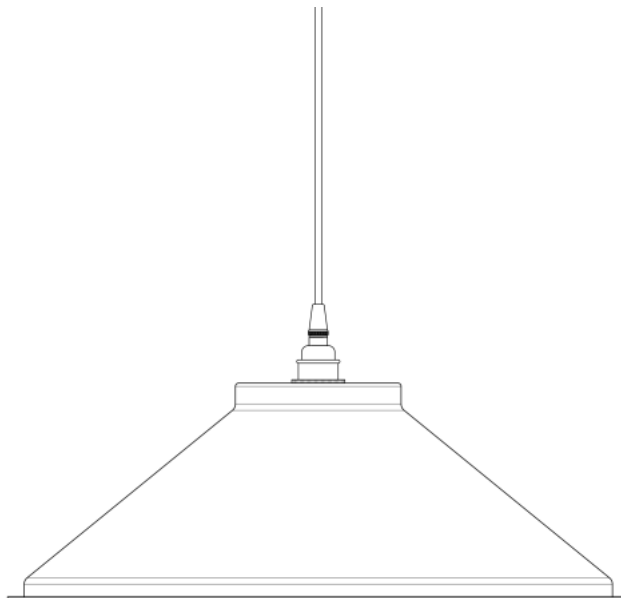
Fixing Bracket MLROSE05GRIP

* Fixing bracket may differ for UL wired products.



Product Notes:

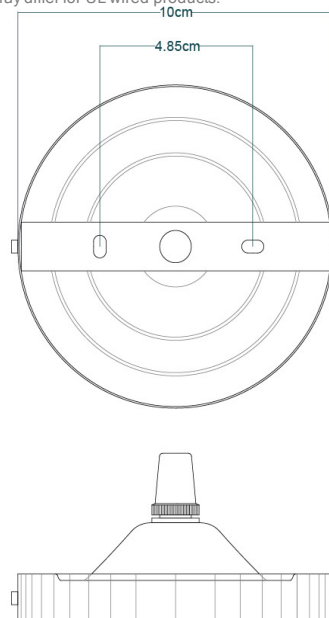
1) Bulbs not included. 2) Dimensions do not include bulbs. 3) All products are individually made-to-order and therefore may differ slightly within manufacturing tolerances. 4) Cable / chain can be shortened during installation. Longer cable / chain lengths available on request. 5) Additional colour finishes may be available on request. 6) UL wired products operate at 110/120v with the appropriate lamp holder. 7) Twisted cable is not available for UL wired products. Round cable in black or brown only is supplied instead. 8) Refer to our website for a full list of terms and conditions.



MATERIAL	Brass
HEIGHT	22cm 8.66"
WIDTH DIAMETER	38cm 14.96"
LENGTH PROJECTION	n/a
WEIGHT	0.8KG 1.76lbs
LAMP HOLDER	E27 or E26 *
MAX WATTAGE	40W x 1
VOLTAGE	220/240v or 110/120v *
IP RATING	20
CLASS PROTECTION	I
SHADE CODE	-
CABLE CHAIN BAR LENGT	100cm 40"
CABLE TYPE	MLCA042 2 Core Twist Orange Braid PVC

Fixing Bracket MLROSE05GRIP

* Fixing bracket may differ for UL wired products.

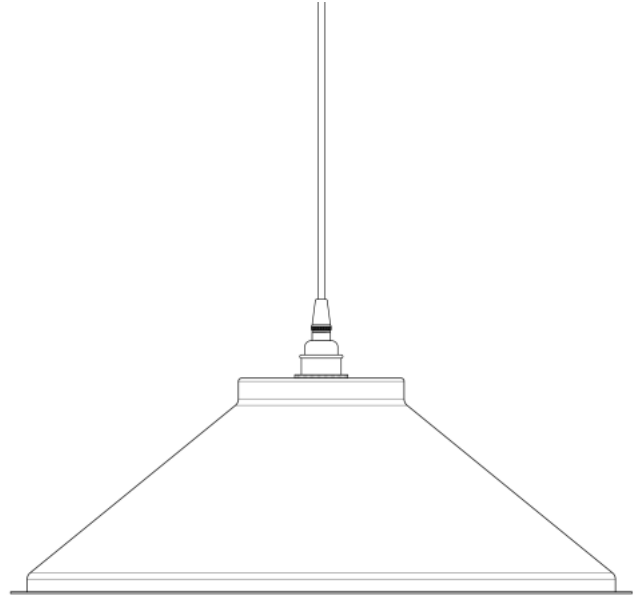


Product Notes:

1) Bulbs not included. 2) Dimensions do not include bulbs. 3) All products are individually made-to-order and therefore may differ slightly within manufacturing tolerances. 4) Cable / chain can be shortened during installation. Longer cable / chain lengths available on request. 5) Additional colour finishes may be available on request. 6) UL wired products operate at 110/120v with the appropriate lamp holder. 7) Twisted cable is not available for UL wired products. Round cable in black or brown only is supplied instead. 8) Refer to our website for a full list of terms and conditions.

RIO Pendant

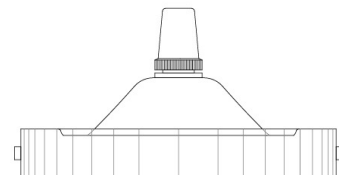
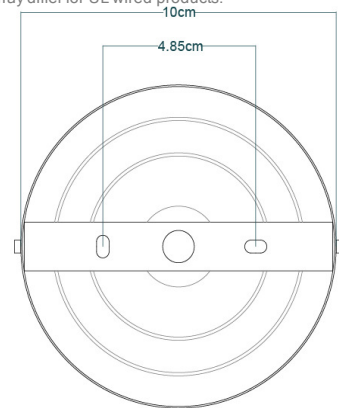
MLP507ANTBRSPCRED Antique Brass



MATERIAL	Brass
HEIGHT	22cm 8.66"
WIDTH DIAMETER	38cm 14.96"
LENGTH PROJECTION	n/a
WEIGHT	0.8KG 1.76lbs
LAMP HOLDER	E27 or E26 *
MAX WATTAGE	40W x 1
VOLTAGE	220/240v or 110/120v *
IP RATING	20
CLASS PROTECTION	I
SHADE CODE	-
CABLE CHAIN BAR LENGT	100cm 40"
CABLE TYPE	MLCA034 2 Core Twist Red Braid PVC

Fixing Bracket MLROSE05GRIP

* Fixing bracket may differ for UL wired products.

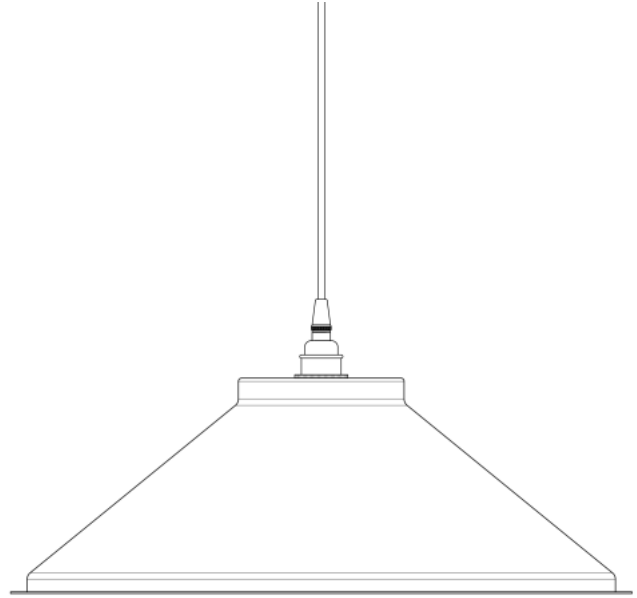


Product Notes:

1) Bulbs not included. 2) Dimensions do not include bulbs. 3) All products are individually made-to-order and therefore may differ slightly within manufacturing tolerances. 4) Cable / chain can be shortened during installation. Longer cable / chain lengths available on request. 5) Additional colour finishes may be available on request. 6) UL wired products operate at 110/120v with the appropriate lamp holder. 7) Twisted cable is not available for UL wired products. Round cable in black or brown only is supplied instead. 8) Refer to our website for a full list of terms and conditions.

RIO Pendant

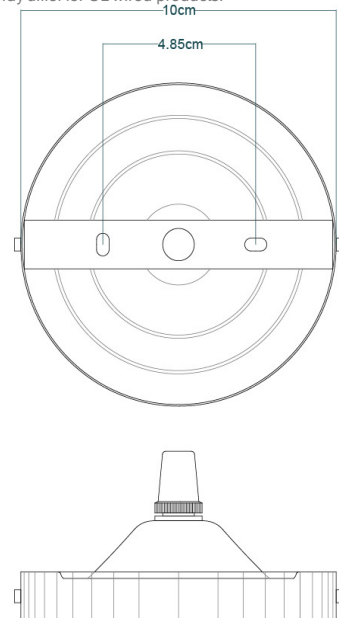
MLP507ANTBRSPCRGR Antique Brass



MATERIAL	Brass
HEIGHT	22cm 8.66"
WIDTH DIAMETER	38cm 14.96"
LENGTH PROJECTION	n/a
WEIGHT	0.8KG 1.76lbs
LAMP HOLDER	E27 or E26 *
MAX WATTAGE	40W x 1
VOLTAGE	220/240v or 110/120v *
IP RATING	20
CLASS PROTECTION	I
SHADE CODE	-
CABLE CHAIN BAR LENGT	100cm 40"
CABLE TYPE	MLCA001 2 Core Twist Black Braid PVC

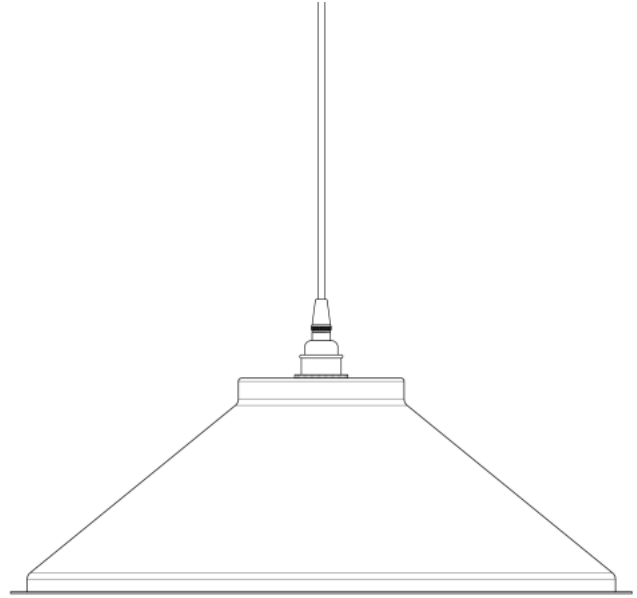
Fixing Bracket MLROSE05GRIP

* Fixing bracket may differ for UL wired products.



Product Notes:

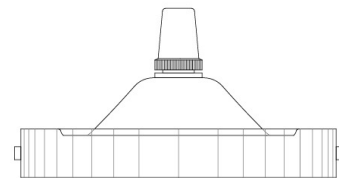
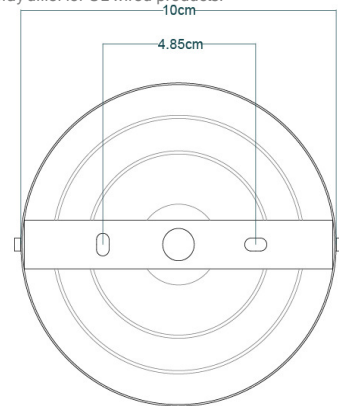
1) Bulbs not included. 2) Dimensions do not include bulbs. 3) All products are individually made-to-order and therefore may differ slightly within manufacturing tolerances. 4) Cable / chain can be shortened during installation. Longer cable / chain lengths available on request. 5) Additional colour finishes may be available on request. 6) UL wired products operate at 110/120v with the appropriate lamp holder. 7) Twisted cable is not available for UL wired products. Round cable in black or brown only is supplied instead. 8) Refer to our website for a full list of terms and conditions.



MATERIAL	Brass
HEIGHT	22cm 8.66"
WIDTH DIAMETER	38cm 14.96"
LENGTH PROJECTION	n/a
WEIGHT	0.8KG 1.76lbs
LAMP HOLDER	E27 or E26 *
MAX WATTAGE	40W x 1
VOLTAGE	220/240v or 110/120v *
IP RATING	20
CLASS PROTECTION	I
SHADE CODE	-
CABLE CHAIN BAR LENGT	100cm 40"
CABLE TYPE	MLCA003 2 Core Twist Ivory Braid PVC

Fixing Bracket MLROSE05GRIP

* Fixing bracket may differ for UL wired products.



Product Notes:

1) Bulbs not included. 2) Dimensions do not include bulbs. 3) All products are individually made-to-order and therefore may differ slightly within manufacturing tolerances. 4) Cable / chain can be shortened during installation. Longer cable / chain lengths available on request. 5) Additional colour finishes may be available on request. 6) UL wired products operate at 110/120v with the appropriate lamp holder. 7) Twisted cable is not available for UL wired products. Round cable in black or brown only is supplied instead. 8) Refer to our website for a full list of terms and conditions.