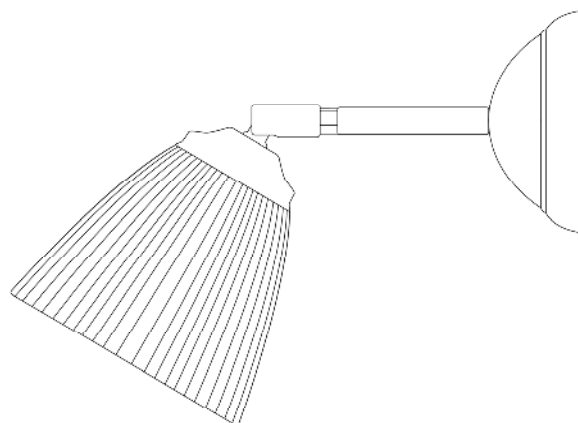


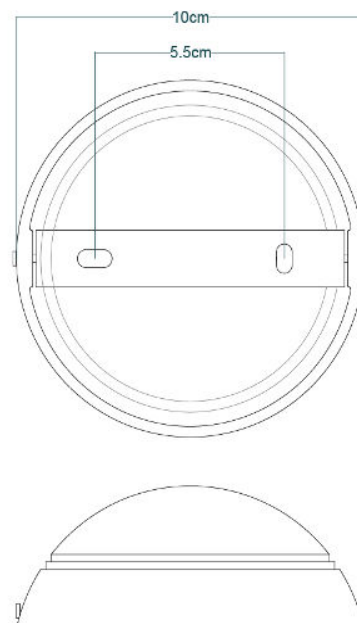
GADAR Wall Light

MLWL144ANTBRS Antique Brass



MATERIAL	Brass Glass
HEIGHT	12-20cm 4.72-7.87"
WIDTH DIAMETER	12cm 4.72"
LENGTH PROJECTION	15-26.5cm 5.91-10.43"
WEIGHT	0.72KG 1.59lbs
LAMPHOLDER	E14 x 1
MAX WATTAGE	40W x 1
VOLTAGE	220/240v
IP RATING	20
CLASS PROTECTION	I
SHADE	GL117
FLEX BAR CHAIN LENGT	n/a
CABLE TYPE	-

Fixing Bracket MLWB01 | Antique Brass

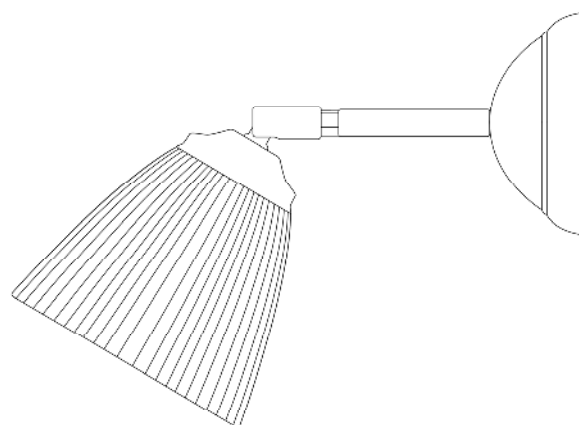


Product Notes:

1) Lamps not included with light fixture. 2) All products are individually hand crafted, therefore may differ slightly within manufacturing tolerances. 3) Please refer to: <http://www.mullanlighting.com/terms> for full list of Terms & Conditions. 4) Cable/Chain can be shortened during installation. 5) Longer Cable/Chain available on request. 6) Additional colour finishes available on request. 7.) Dimensions do not include lamps. 8.) Products wired to UL standards will operate at 110/120v with the appropriate lampholders.

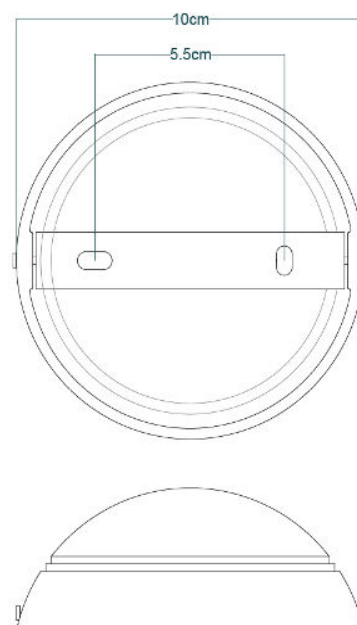
GADAR Wall Light

MLWL144ANTSLV Antique Silver



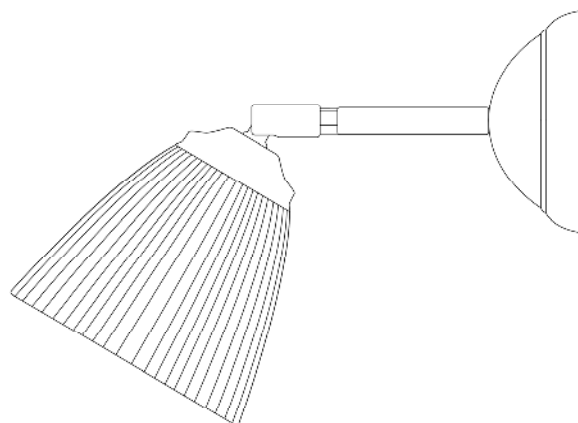
MATERIAL	Brass Glass
HEIGHT	12-20cm 4.72-7.87"
WIDTH DIAMETER	12cm 4.72"
LENGTH PROJECTION	15-26.5cm 5.91-10.43"
WEIGHT	0.72KG 1.59lbs
LAMPHOLDER	E14 x 1
MAX WATTAGE	40W x 1
VOLTAGE	220/240v
IP RATING	20
CLASS PROTECTION	I
SHADE	GL117
FLEX BAR CHAIN LENGT	n/a
CABLE TYPE	-

Fixing Bracket MLWB01 | Antique Silver



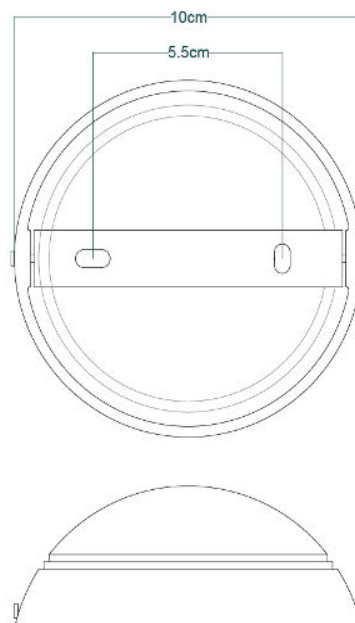
Product Notes:

1) Lamps not included with light fixture. 2) All products are individually hand crafted, therefore may differ slightly within manufacturing tolerances. 3) Please refer to: <http://www.mullanlighting.com/terms> for full list of Terms & Conditions. 4) Cable/Chain can be shortened during installation. 5) Longer Cable/Chain available on request. 6) Additional colour finishes available on request. 7.) Dimensions do not include lamps. 8.) Products wired to UL standards will operate at 110/120v with the appropriate lampholders.



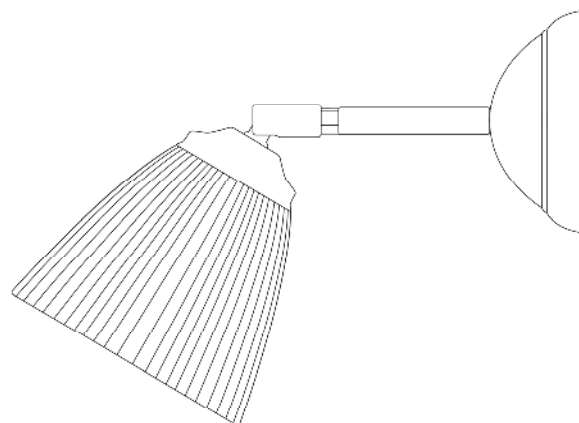
MATERIAL	Brass Glass
HEIGHT	12-20cm 4.72-7.87"
WIDTH DIAMETER	12cm 4.72"
LENGTH PROJECTION	15-26.5cm 5.91-10.43"
WEIGHT	0.72KG 1.59lbs
LAMPHOLDER	E14 x 1
MAX WATTAGE	40W x 1
VOLTAGE	220/240v
IP RATING	20
CLASS PROTECTION	I
SHADE	GL117
FLEX BAR CHAIN LENGT	n/a
CABLE TYPE	-

Fixing Bracket MLWB01 | Polished Brass



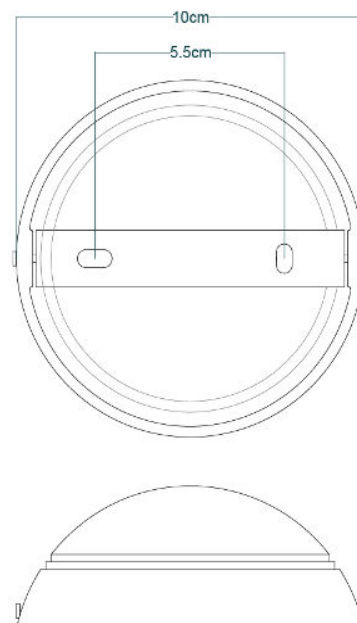
Product Notes:

1) Lamps not included with light fixture. 2) All products are individually hand crafted, therefore may differ slightly within manufacturing tolerances. 3) Please refer to: <http://www.mullanlighting.com/terms> for full list of Terms & Conditions. 4) Cable/Chain can be shortened during installation. 5) Longer Cable/Chain available on request. 6) Additional colour finishes available on request. 7.) Dimensions do not include lamps. 8.) Products wired to UL standards will operate at 110/120v with the appropriate lampholders.



MATERIAL	Brass Glass
HEIGHT	12-20cm 4.72-7.87"
WIDTH DIAMETER	12cm 4.72"
LENGTH PROJECTION	15-26.5cm 5.91-10.43"
WEIGHT	0.72KG 1.59lbs
LAMPHOLDER	E14 x 1
MAX WATTAGE	40W x 1
VOLTAGE	220/240v
IP RATING	20
CLASS PROTECTION	I
SHADE	GL117
FLEX BAR CHAIN LENGT	n/a
CABLE TYPE	-

Fixing Bracket MLWB01 | Satin Brass



Product Notes:

1) Lamps not included with light fixture. 2) All products are individually hand crafted, therefore may differ slightly within manufacturing tolerances. 3) Please refer to: <http://www.mullanlighting.com/terms> for full list of Terms & Conditions. 4) Cable/Chain can be shortened during installation. 5) Longer Cable/Chain available on request. 6) Additional colour finishes available on request. 7.) Dimensions do not include lamps. 8.) Products wired to UL standards will operate at 110/120v with the appropriate lampholders.