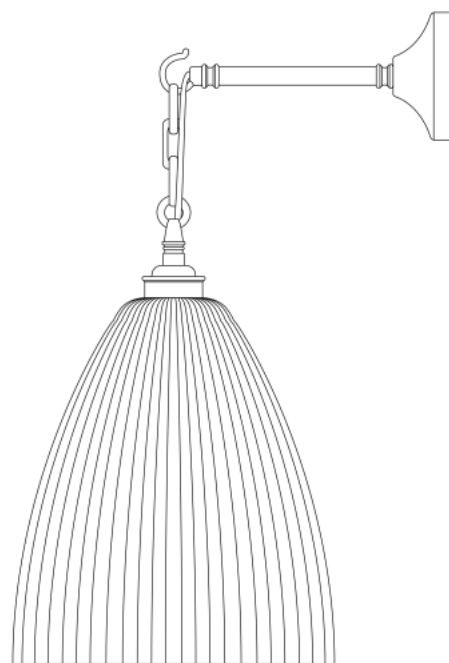


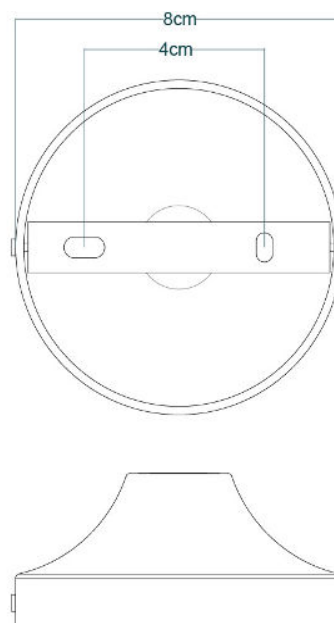
# FEND Wall Light

MLWL190ANTSLV Antique Silver



MATERIAL	Brass   Glass
HEIGHT	36cm   14.17"
WIDTH   DIAMETER	20cm   7.87"
LENGTH   PROJECTION	25cm   9.84"
WEIGHT	2.19KG   4.83lbs
LAMPHOLDER	E27 x 1
MAX WATTAGE	40W x 1
VOLTAGE	220/240v
IP RATING	20
CLASS PROTECTION	I
SHADE	GL129
FLEX   BAR   CHAIN LENGT	n/a
CABLE TYPE	MLCA020   3 Core Twist   Black Braid   PVC

Fixing Bracket MLWB03 | Antique Silver

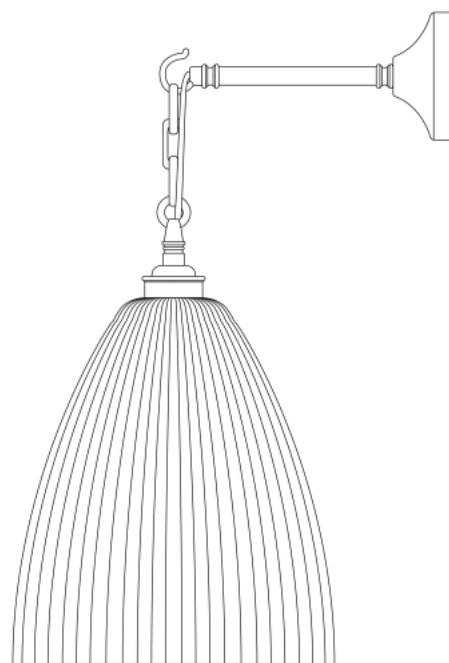


**Product Notes:**

1) Lamps not included with light fixture. 2) All products are individually hand crafted, therefore may differ slightly within manufacturing tolerances. 3) Please refer to: <http://www.mullanlighting.com/terms> for full list of Terms & Conditions. 4) Cable/Chain can be shortened during installation. 5) Longer Cable/Chain available on request. 6) Additional colour finishes available on request. 7.) Dimensions do not include lamps. 8.) Products wired to UL standards will operate at 110/120v with the appropriate lampholders.

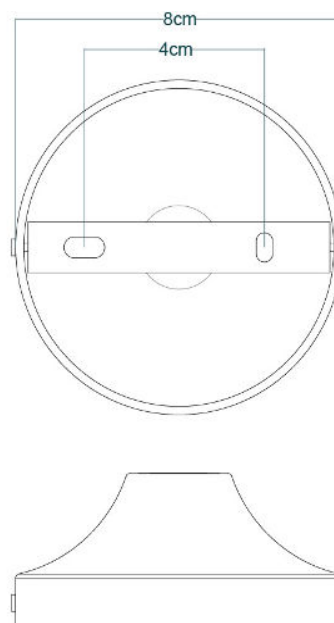
# FEND Wall Light

MLWL190POLBRS Polished Brass



MATERIAL	Brass   Glass
HEIGHT	36cm   14.17"
WIDTH   DIAMETER	20cm   7.87"
LENGTH   PROJECTION	25cm   9.84"
WEIGHT	2.19KG   4.83lbs
LAMPHOLDER	E27 x 1
MAX WATTAGE	40W x 1
VOLTAGE	220/240v
IP RATING	20
CLASS PROTECTION	I
SHADE	GL129
FLEX   BAR   CHAIN LENGT	n/a
CABLE TYPE	MLCA020   3 Core Twist   Black Braid   PVC

Fixing Bracket MLWB03 | Polished Brass

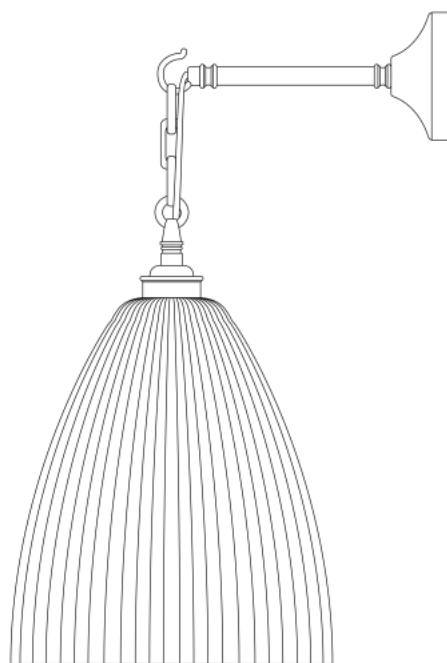


**Product Notes:**

1) Lamps not included with light fixture. 2) All products are individually hand crafted, therefore may differ slightly within manufacturing tolerances. 3) Please refer to: <http://www.mullanlighting.com/terms> for full list of Terms & Conditions. 4) Cable/Chain can be shortened during installation. 5) Longer Cable/Chain available on request. 6) Additional colour finishes available on request. 7.) Dimensions do not include lamps. 8.) Products wired to UL standards will operate at 110/120v with the appropriate lampholders.

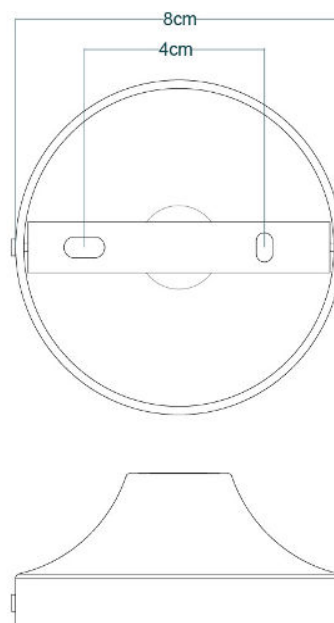
# FEND Wall Light

MLWL190SATBRS Satin Brass



MATERIAL	Brass   Glass
HEIGHT	36cm   14.17"
WIDTH   DIAMETER	20cm   7.87"
LENGTH   PROJECTION	25cm   9.84"
WEIGHT	2.19KG   4.83lbs
LAMPHOLDER	E27 x 1
MAX WATTAGE	40W x 1
VOLTAGE	220/240v
IP RATING	20
CLASS PROTECTION	I
SHADE	GL129
FLEX   BAR   CHAIN LENGT	n/a
CABLE TYPE	MLCA020   3 Core Twist   Black Braid   PVC

Fixing Bracket MLWB03 | Satin Brass



Product Notes:

1) Lamps not included with light fixture. 2) All products are individually hand crafted, therefore may differ slightly within manufacturing tolerances. 3) Please refer to: <http://www.mullanlighting.com/terms> for full list of Terms & Conditions. 4) Cable/Chain can be shortened during installation. 5) Longer Cable/Chain available on request. 6) Additional colour finishes available on request. 7.) Dimensions do not include lamps. 8.) Products wired to UL standards will operate at 110/120v with the appropriate lampholders.