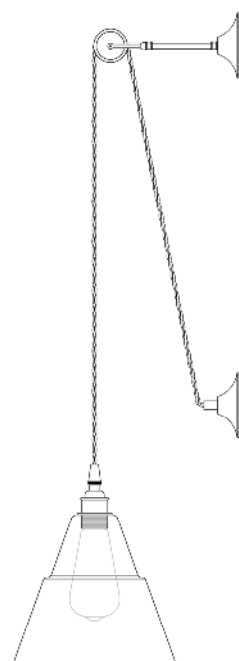


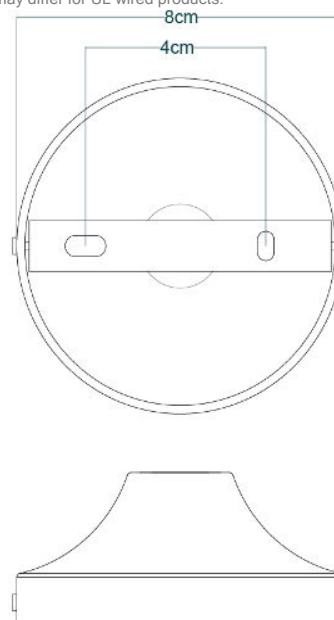
# RIGALE Wall Light

MLWL199ANTBRS Antique Brass



MATERIAL	Brass   Glass
HEIGHT	77-102cm   30.31-40.16"
WIDTH   DIAMETER	17.5cm   6.89"
LENGTH   PROJECTION	31.5cm   12.4"
WEIGHT	1.12KG   2.47lbs
LAMP HOLDER	E27 or E26 *
MAX WATTAGE	40W x 1
VOLTAGE	220/240v or 110/120v *
IP RATING	20
CLASS PROTECTION	I
SHADE CODE	GL146
CABLE   CHAIN   BAR LENGT	n/a
CABLE TYPE	MLCA002   2 Core Twist   Brown Braid   PVC

**Fixing Bracket MLWB03 | Antique Brass**  
 \* Fixing bracket may differ for UL wired products.

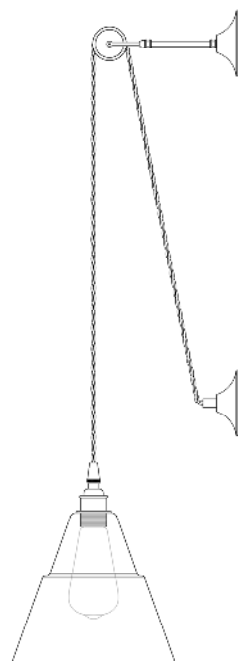


**Product Notes:**

1) Bulbs not included. 2) Dimensions do not include bulbs. 3) All products are individually made-to-order and therefore may differ slightly within manufacturing tolerances. 4) Cable / chain can be shortened during installation. Longer cable / chain lengths available on request. 5) Additional colour finishes may be available on request. 6) UL wired products operate at 110/120v with the appropriate lamp holder. 7) Twisted cable is not available for UL wired products. Round cable in black or brown only is supplied instead. 8) Refer to our website for a full list of terms and conditions.

## RIGALE Wall Light

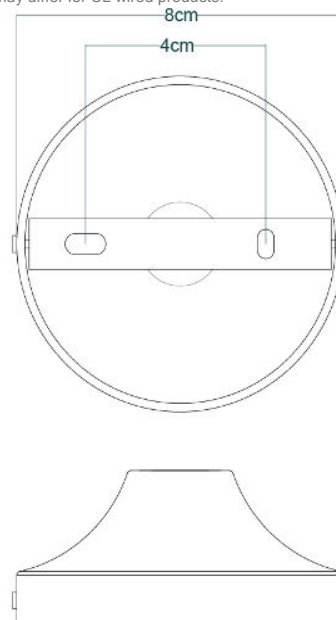
MLWL199ANTSLV Antique Silver



MATERIAL	Brass   Glass
HEIGHT	77-102cm   30.31-40.16"
WIDTH   DIAMETER	17.5cm   6.89"
LENGTH   PROJECTION	31.5cm   12.4"
WEIGHT	1.12KG   2.47lbs
LAMP HOLDER	E27 or E26 *
MAX WATTAGE	40W x 1
VOLTAGE	220/240v or 110/120v *
IP RATING	20
CLASS PROTECTION	I
SHADE CODE	GL146
CABLE   CHAIN   BAR LENGT	n/a
CABLE TYPE	MLCA001   2 Core Twist   Black Braid   PVC

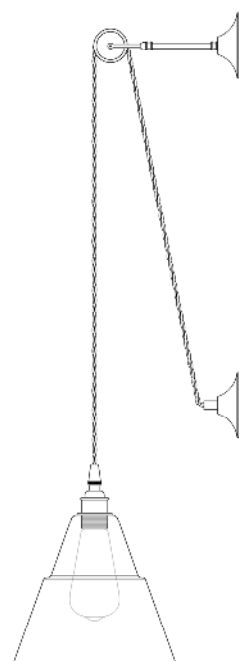
### Fixing Bracket MLWB03 | Antique Silver

\* Fixing bracket may differ for UL wired products.



#### Product Notes:

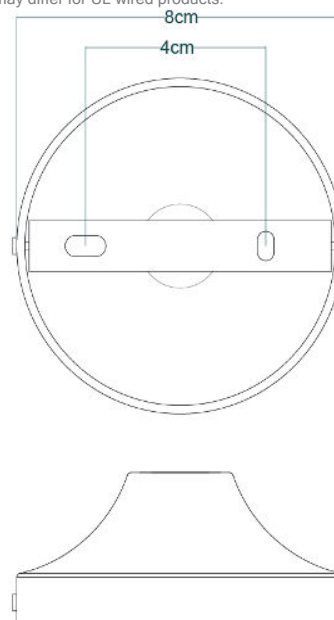
1) Bulbs not included. 2) Dimensions do not include bulbs. 3) All products are individually made-to-order and therefore may differ slightly within manufacturing tolerances. 4) Cable / chain can be shortened during installation. Longer cable / chain lengths available on request. 5) Additional colour finishes may be available on request. 6) UL wired products operate at 110/120v with the appropriate lamp holder. 7) Twisted cable is not available for UL wired products. Round cable in black or brown only is supplied instead. 8) Refer to our website for a full list of terms and conditions.



MATERIAL	Brass   Glass
HEIGHT	77-102cm   30.31-40.16"
WIDTH   DIAMETER	17.5cm   6.89"
LENGTH   PROJECTION	31.5cm   12.4"
WEIGHT	1.12KG   2.47lbs
LAMP HOLDER	E27 or E26 *
MAX WATTAGE	40W x 1
VOLTAGE	220/240v or 110/120v *
IP RATING	20
CLASS PROTECTION	I
SHADE CODE	GL146
CABLE   CHAIN   BAR LENGT	n/a
CABLE TYPE	MLCA001   2 Core Twist   Black Braid   PVC

**Fixing Bracket MLWB03 | Polished Brass**

\* Fixing bracket may differ for UL wired products.



**Product Notes:**

1) Bulbs not included. 2) Dimensions do not include bulbs. 3) All products are individually made-to-order and therefore may differ slightly within manufacturing tolerances. 4) Cable / chain can be shortened during installation. Longer cable / chain lengths available on request. 5) Additional colour finishes may be available on request. 6) UL wired products operate at 110/120v with the appropriate lamp holder. 7) Twisted cable is not available for UL wired products. Round cable in black or brown only is supplied instead. 8) Refer to our website for a full list of terms and conditions.



MATERIAL	Brass   Glass
HEIGHT	77-102cm   30.31-40.16"
WIDTH   DIAMETER	17.5cm   6.89"
LENGTH   PROJECTION	31.5cm   12.4"
WEIGHT	1.12KG   2.47lbs
LAMP HOLDER	E27 or E26 *
MAX WATTAGE	40W x 1
VOLTAGE	220/240v or 110/120v *
IP RATING	20
CLASS PROTECTION	I
SHADE CODE	GL146
CABLE   CHAIN   BAR LENGT	n/a
CABLE TYPE	MLCA001   2 Core Twist   Black Braid   PVC

**Fixing Bracket MLWB03 | Satin Brass**  
 \* Fixing bracket may differ for UL wired products.

