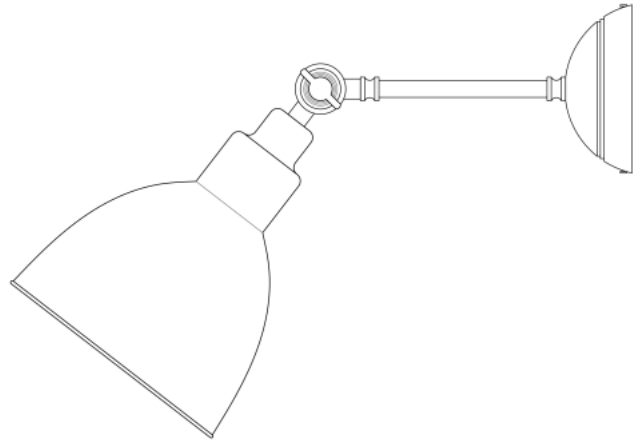


BAKU Wall Light

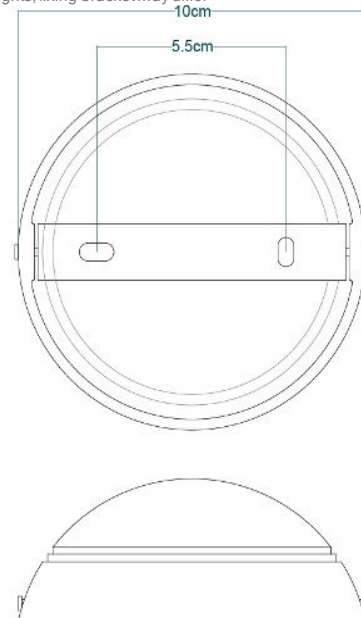
MLWL226ANTBRS Antique Brass



MATERIAL	Brass
HEIGHT	15-27cm 5.91-10.63"
WIDTH DIAMETER	15cm 5.91"
LENGTH PROJECTION	19-38cm 7.48-14.96"
WEIGHT	0.9KG 1.98lbs
LAMPHOLDER	E27 or E26
MAX WATTAGE	25W x 1
VOLTAGE	220/240v or 110/120v
IP RATING	20
CLASS PROTECTION	I
SHADE	-
FLEX BAR CHAIN LENGT	n/a
CABLE TYPE	-

Fixing Bracket MLWB01 | Antique Brass

*For UL wired lights, fixing bracket may differ

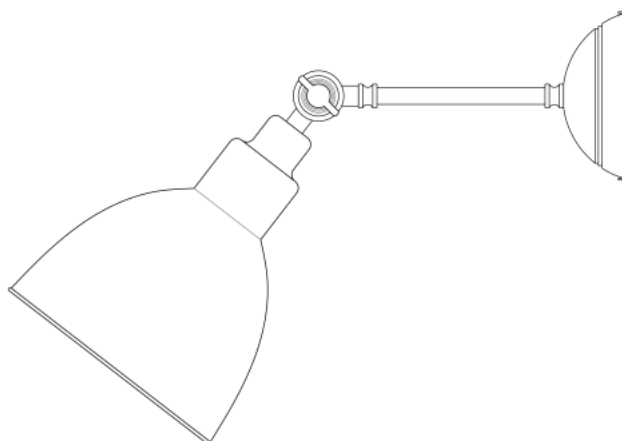


Product Notes:

1) Lamps not included with light fixture. 2) All products are individually hand crafted, therefore may differ slightly within manufacturing tolerances. 3) Please refer to: <http://www.mullanlighting.com/terms> for full list of Terms & Conditions. 4) Cable/Chain can be shortened during installation. 5) Longer Cable/Chain available on request. 6) Additional colour finishes available on request. 7.) Dimensions do not include lamps. 8.) Products wired to UL standards will operate at 110/120v with the appropriate lampholders.

BAKU Wall Light

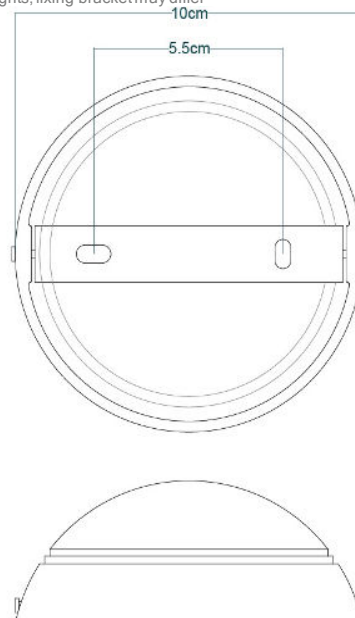
MLWL226ANTSLV Antique Silver



MATERIAL	Brass
HEIGHT	15-27cm 5.91-10.63"
WIDTH DIAMETER	15cm 5.91"
LENGTH PROJECTION	19-38cm 7.48-14.96"
WEIGHT	0.9KG 1.98lbs
LAMPHOLDER	E27 or E26
MAX WATTAGE	25W x 1
VOLTAGE	220/240v or 110/120v
IP RATING	20
CLASS PROTECTION	I
SHADE	-
FLEX BAR CHAIN LENGT	n/a
CABLE TYPE	-

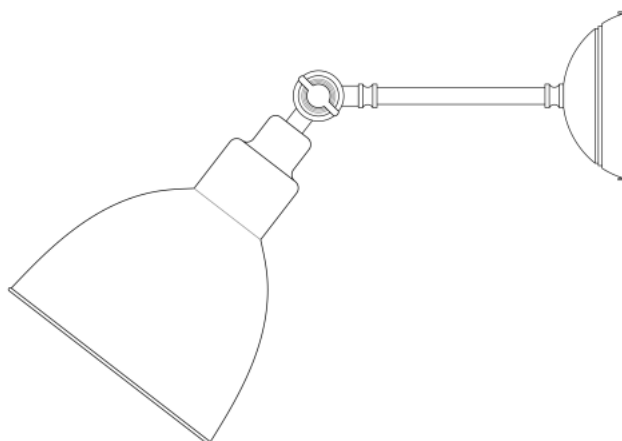
Fixing Bracket MLWB01 | Antique Silver

*For UL wired lights, fixing bracket may differ



Product Notes:

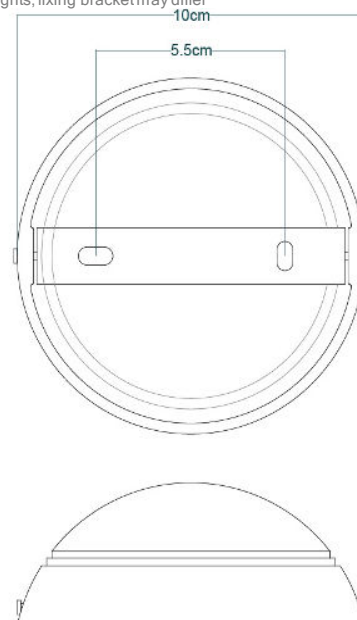
1) Lamps not included with light fixture. 2) All products are individually hand crafted, therefore may differ slightly within manufacturing tolerances. 3) Please refer to: <http://www.mullanlighting.com/terms> for full list of Terms & Conditions. 4) Cable/Chain can be shortened during installation. 5) Longer Cable/Chain available on request. 6) Additional colour finishes available on request. 7.) Dimensions do not include lamps. 8.) Products wired to UL standards will operate at 110/120v with the appropriate lampholders.



MATERIAL	Brass
HEIGHT	15-27cm 5.91-10.63"
WIDTH DIAMETER	15cm 5.91"
LENGTH PROJECTION	19-38cm 7.48-14.96"
WEIGHT	0.9KG 1.98lbs
LAMPHOLDER	E27 or E26
MAX WATTAGE	25W x 1
VOLTAGE	220/240v or 110/120v
IP RATING	20
CLASS PROTECTION	I
SHADE	-
FLEX BAR CHAIN LENGT	n/a
CABLE TYPE	-

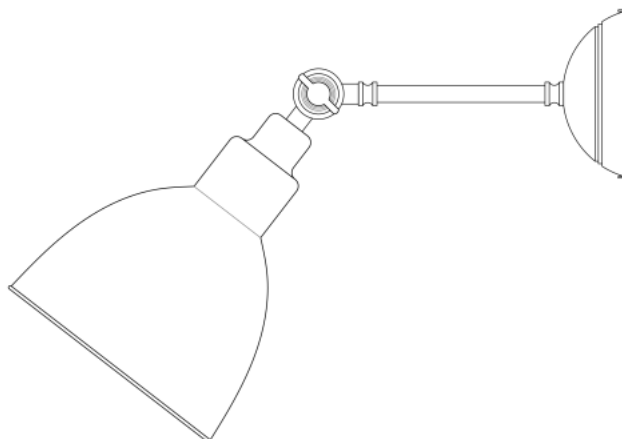
Fixing Bracket MLWB01 | Polished Brass

*For UL wired lights, fixing bracket may differ



Product Notes:

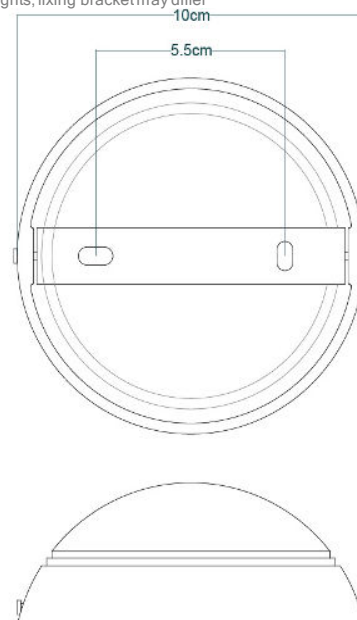
1) Lamps not included with light fixture. 2) All products are individually hand crafted, therefore may differ slightly within manufacturing tolerances. 3) Please refer to: <http://www.mullanlighting.com/terms> for full list of Terms & Conditions. 4) Cable/Chain can be shortened during installation. 5) Longer Cable/Chain available on request. 6) Additional colour finishes available on request. 7.) Dimensions do not include lamps. 8.) Products wired to UL standards will operate at 110/120v with the appropriate lampholders.



MATERIAL	Brass
HEIGHT	15-27cm 5.91-10.63"
WIDTH DIAMETER	15cm 5.91"
LENGTH PROJECTION	19-38cm 7.48-14.96"
WEIGHT	0.9KG 1.98lbs
LAMPHOLDER	E27 or E26
MAX WATTAGE	25W x 1
VOLTAGE	220/240v or 110/120v
IP RATING	20
CLASS PROTECTION	I
SHADE	-
FLEX BAR CHAIN LENGT	n/a
CABLE TYPE	-

Fixing Bracket MLWB01 | Satin Brass

*For UL wired lights, fixing bracket may differ



Product Notes:

1) Lamps not included with light fixture. 2) All products are individually hand crafted, therefore may differ slightly within manufacturing tolerances. 3) Please refer to: <http://www.mullanlighting.com/terms> for full list of Terms & Conditions. 4) Cable/Chain can be shortened during installation. 5) Longer Cable/Chain available on request. 6) Additional colour finishes available on request. 7.) Dimensions do not include lamps. 8.) Products wired to UL standards will operate at 110/120v with the appropriate lampholders.