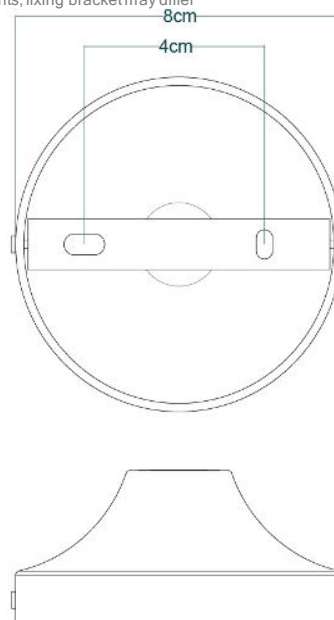




MATERIAL	Brass Porcelain
HEIGHT	7-11cm 2.76-4.33"
WIDTH DIAMETER	7cm 2.76"
LENGTH PROJECTION	15.5-20.5cm 6.1-8.07"
WEIGHT	0.42KG 0.93lbs
LAMPHOLDER	E27 or E26
MAX WATTAGE	60W x 1
VOLTAGE	220/240v or 110/120v
IP RATING	20
CLASS PROTECTION	I
SHADE	-
FLEX BAR CHAIN LENGT	n/a
CABLE TYPE	-

Fixing Bracket MLWB03 | Black

*For UL wired lights, fixing bracket may differ



Product Notes:

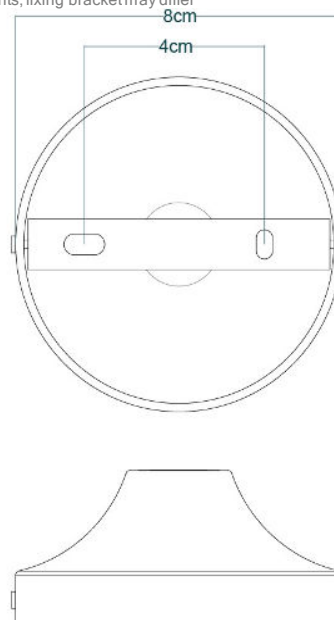
1) Lamps not included with light fixture. 2) All products are individually hand crafted, therefore may differ slightly within manufacturing tolerances. 3) Please refer to: <http://www.mullanlighting.com/terms> for full list of Terms & Conditions. 4) Cable/Chain can be shortened during installation. 5) Longer Cable/Chain available on request. 6) Additional colour finishes available on request. 7.) Dimensions do not include lamps. 8.) Products wired to UL standards will operate at 110/120v with the appropriate lampholders.



MATERIAL	Brass Porcelain
HEIGHT	7-11cm 2.76-4.33"
WIDTH DIAMETER	7cm 2.76"
LENGTH PROJECTION	15.5-20.5cm 6.1-8.07"
WEIGHT	0.3KG 0.66lbs
LAMPHOLDER	E27 or E26
MAX WATTAGE	60W x 1
VOLTAGE	220/240v or 110/120v
IP RATING	20
CLASS PROTECTION	I
SHADE	-
FLEX BAR CHAIN LENGT	n/a
CABLE TYPE	-

Fixing Bracket MLWB03 | White

*For UL wired lights, fixing bracket may differ



Product Notes:

1) Lamps not included with light fixture. 2) All products are individually hand crafted, therefore may differ slightly within manufacturing tolerances. 3) Please refer to: <http://www.mullanlighting.com/terms> for full list of Terms & Conditions. 4) Cable/Chain can be shortened during installation. 5) Longer Cable/Chain available on request. 6) Additional colour finishes available on request. 7.) Dimensions do not include lamps. 8.) Products wired to UL standards will operate at 110/120v with the appropriate lampholders.