

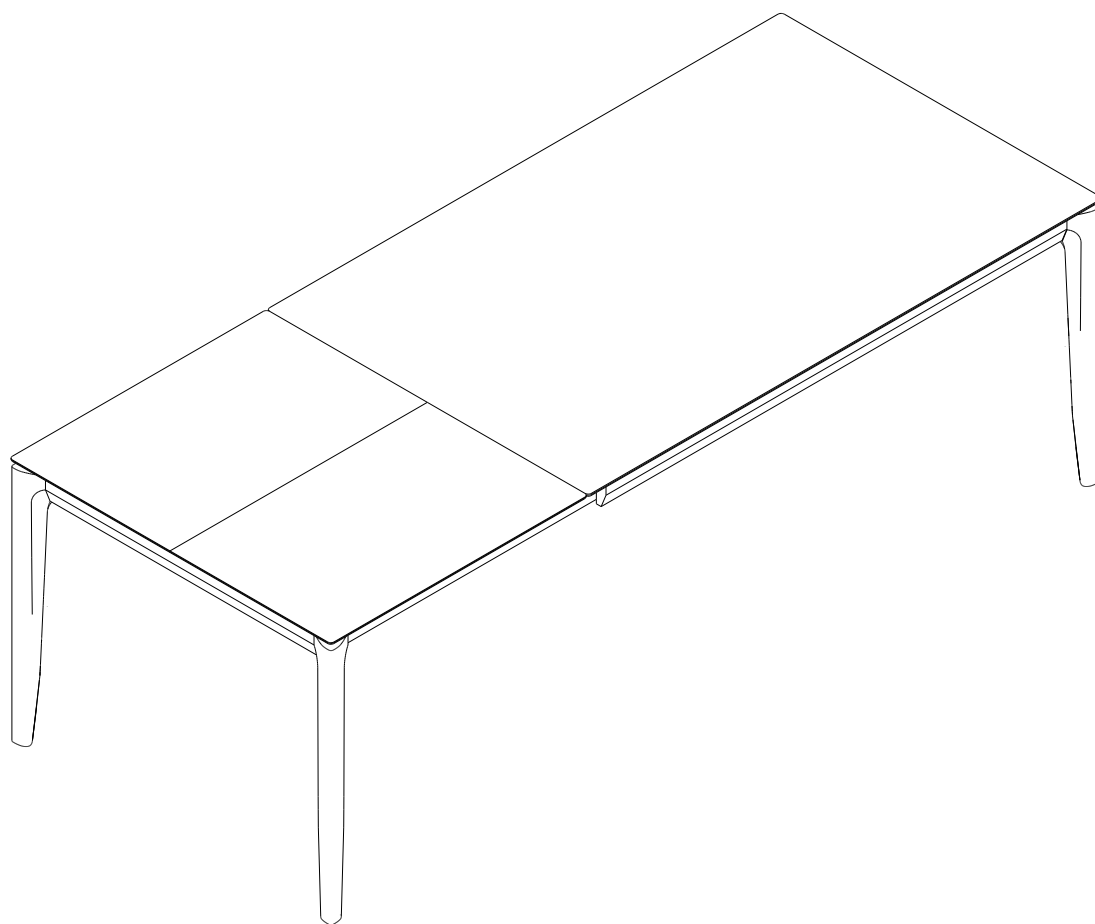
# Ethnicraft

## ASSEMBLY INSTRUCTIONS FOR DINING TABLE INSTALLATION

---

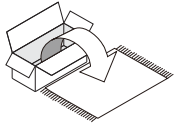
### OAK BOK EXTENDABLE DINING TABLE

CODE	DESCRIPTION
51494	OAK BOK EXTENDABLE DINING TABLE 200-300/100/76



## 51494 OAK BOK EXTENDABLE DINING TABLE 200-300 / 100 / 76 ASSEMBLY INSTRUCTIONS FOR DINING TABLE INSTALLATION

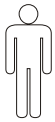
### NOTE



- CAREFULLY OPEN THE CARTON,
- REMOVE CONTENTS AND LAY OUT ON CARPET OR THE PACKAGING CARTON BOX OR OTHER PROTECTIVE SURFACE TO AVOID DAMAGE.
- CHECK PACKAGE CONTENTS TO ASSURE ALL THE NECESSARY HARDWARE AND PARTS ARE RECEIVED UNDAMAGED.
- DO NOT USE DAMAGE OR DEFECTIVE PARTS/HARDWARE.
- CONTACT ETHNICRAFT FOR ANY MISSING PART AND /OR HARDWARE.



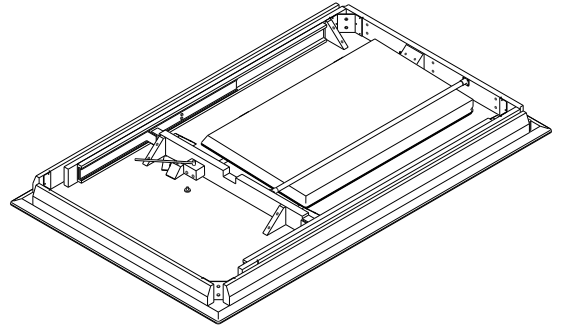
- READ THE ASSEMBLY INSTRUCTION BEFORE INSTALLATION AND CAREFULLY FOLLOW THE INSTRUCTION GIVEN.
- SEEK THE ADVICE OF A PROFESSIONAL IF YOU ARE NOT FAMILIAR WITH THESE INSTALLATIONS OR HAVE ANY DOUBTS ABOUT THE SAFETY OF THIS INSTALLATION.



**X2**

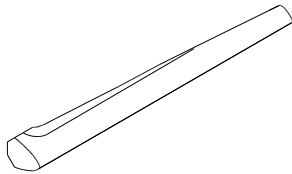
- IT IS ADVISABLE TO DO THIS ASSEMBLY WITH MINIMUM OF 2 PERSONS.
- WHEN LIFTING THE TABLE, MAKE SURE TABLE IS IN UNEXTENDED POSITION.
- LIFT ONLY ON THE APRON.

### PARTS TO ASSEMBLE



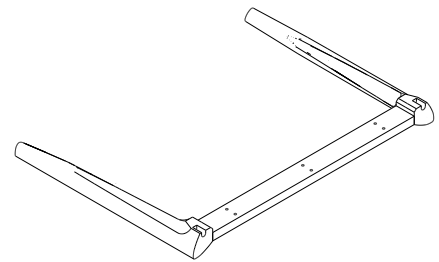
**A** TABLE TOP 1piece

CODE	DESCRIPTION
P4884	TABLE TOP - 200-300/100



**C** LEG 2pieces

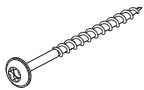
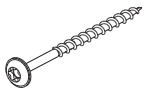


CODE	DESCRIPTION
P4651	LEG



**B** LEG WITH APRON 1piece


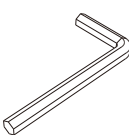
CODE	DESCRIPTION
P4515	LEG WITH APRON - 100 DEPTH

### HARDWARE ENCLOSED


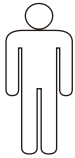

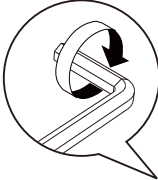

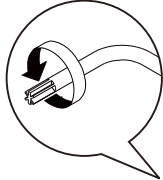
 <b>H0689</b> SPAX SCREW M6x80 (4pcs)	 <b>H0849</b> SPAX SCREW M6x120 (4pcs)
 <b>H2069</b> SCREW M6x40 (6pcs)	 <b>H0383</b> WASHER M8 (8pcs)

### TOOLS

(Included in packaged)

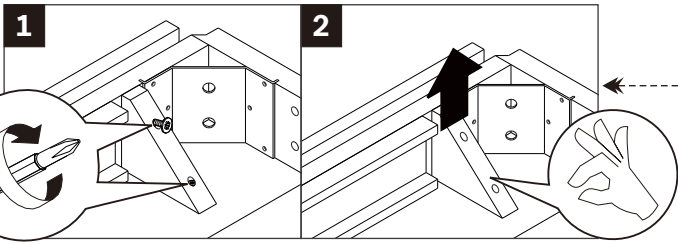
 <b>H0893</b> TORX KEY (1pc)
 <b>H0745</b> L KEY (1pc)

### SYMBOLS

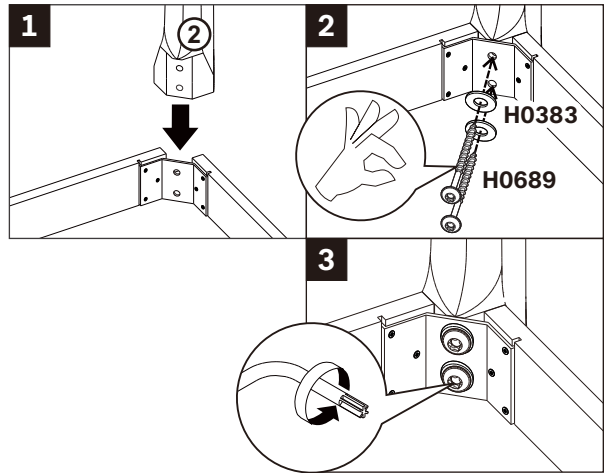
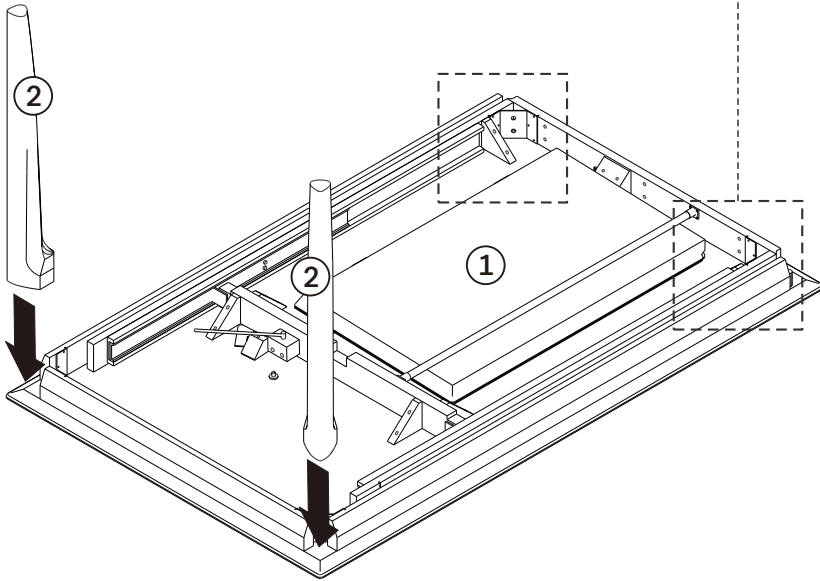
 DIRECTION	 NUMBER OF PERSONS NEEDED	 USE HAND
 USE L KEY TO TIGHTEN	 USE SCREWDRIVER	 USE TORX KEY TO TIGHTEN

51494 OAK BOK EXTENDABLE DINING TABLE 200-300 / 100 / 76  
 ASSEMBLY INSTRUCTIONS FOR DINING TABLE INSTALLATION

**A. INSTALLING THE LEGS TO TABLE TOP**



**! REMOVE WOODEN PIECES BEFORE INSTALL THE LEGS**



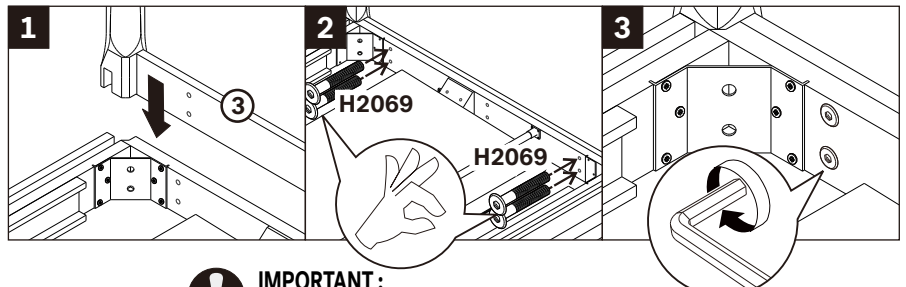
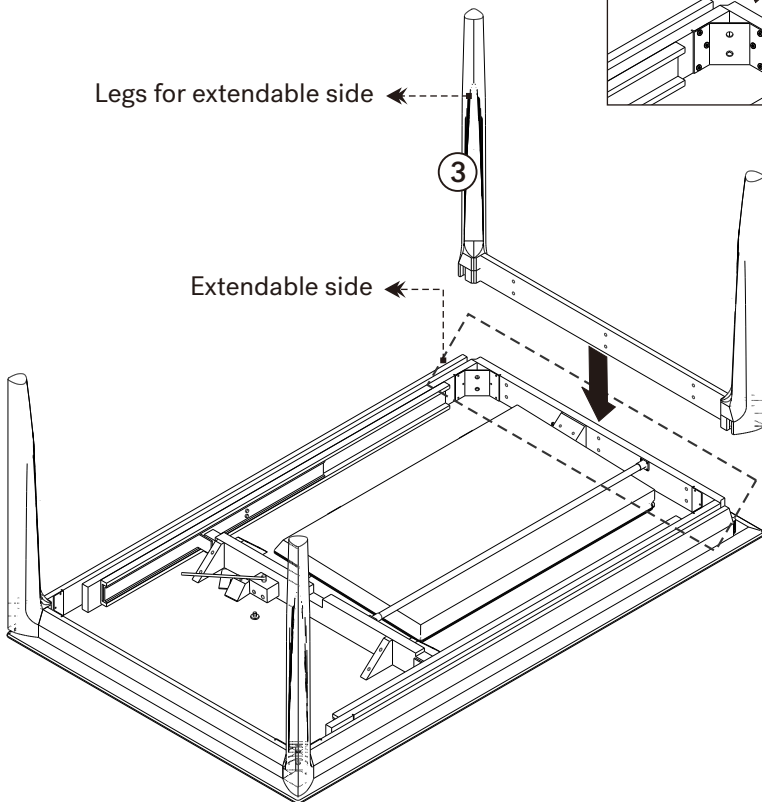
**IMPORTANT :**

- USE WASHER M8
- USE SPAX SCREW M6x80 FOR THE FIXED LEGS
- TIGHTEN FULLY

**B. INSTALLING LEG SET TO TABLE TOP**

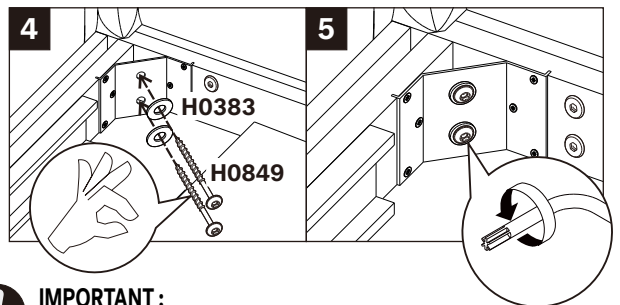
Legs for extendable side

Extendable side



**! IMPORTANT :**

- INSTALL SCREWS M6x40 ON THE RIGHT & LEFT SIDE OF APRON FIRST
- MIDDLE SCREWS ON APRON ARE INSTALLED AFTER TABLE IS IN STANDING POSITION
- DO NOT FULLY TIGHTEN

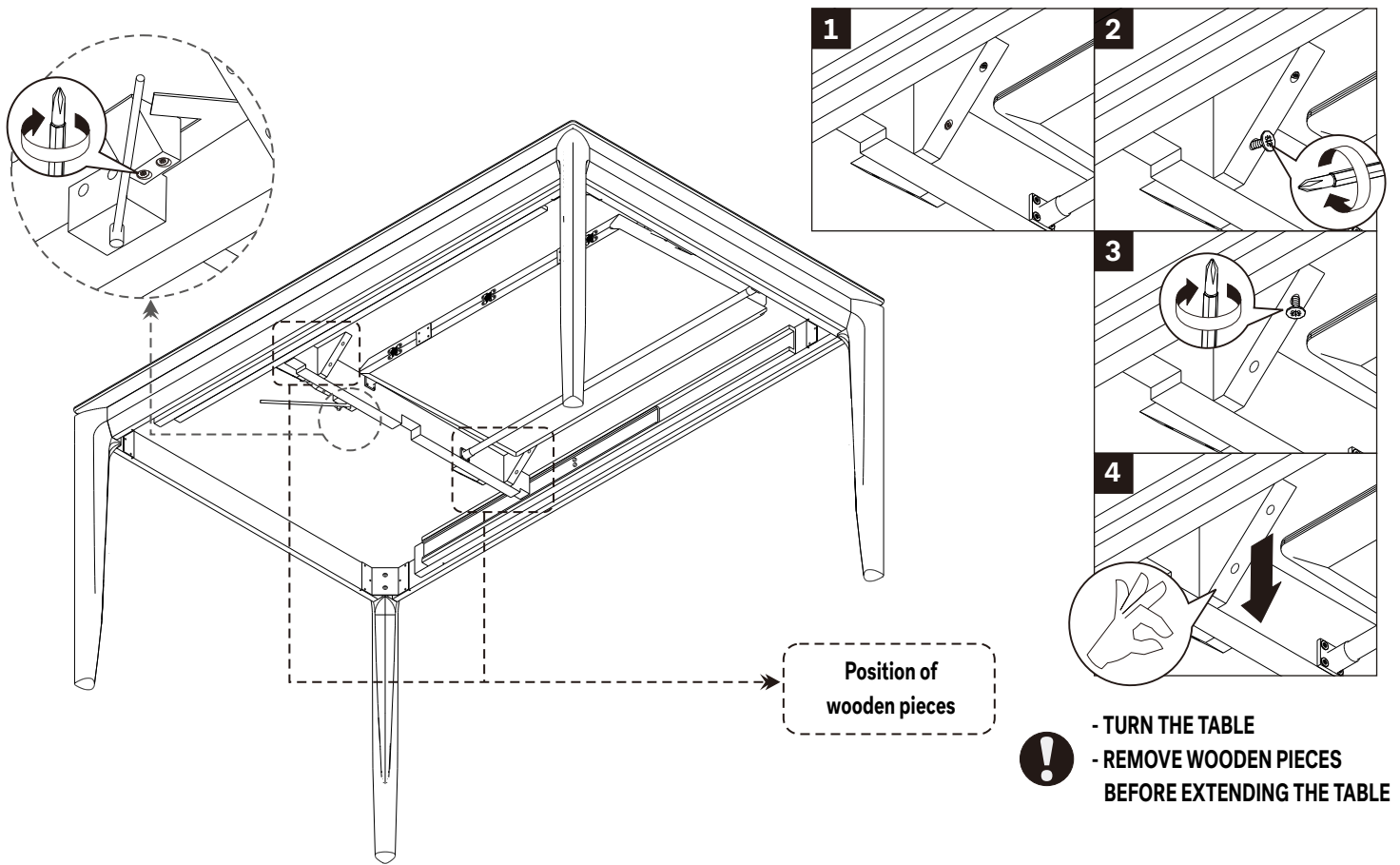


**! IMPORTANT :**

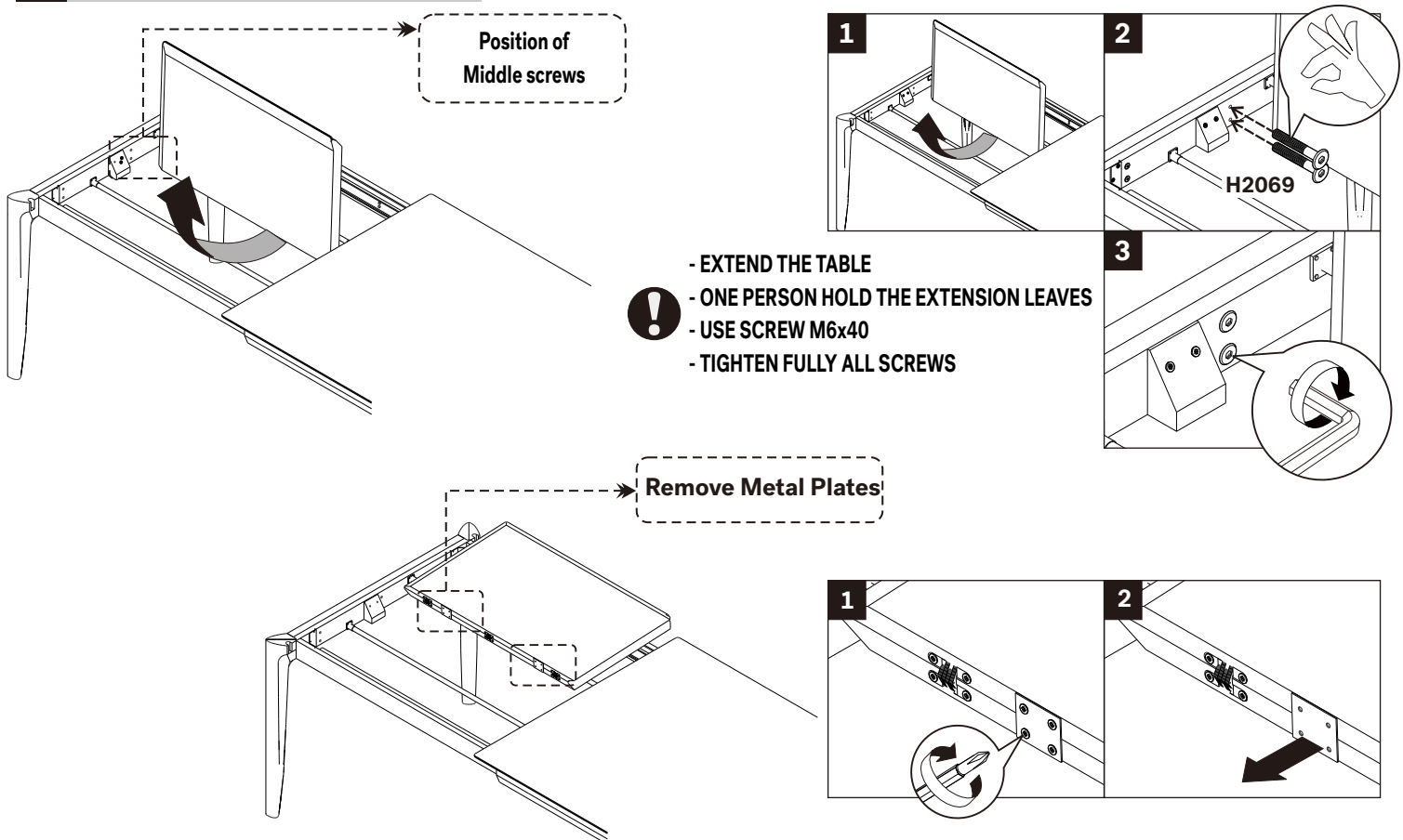
- USE WASHER M8
- USE SPAX SCREW M6x120 FOR THE EXTENDABLE LEGS
- TIGHTEN FULLY ALL SCREWS

51494 OAK BOK EXTENDABLE DINING TABLE 200-300 / 100 / 76  
 ASSEMBLY INSTRUCTIONS FOR DINING TABLE INSTALLATION

**C. REMOVE WOODEN PIECES**

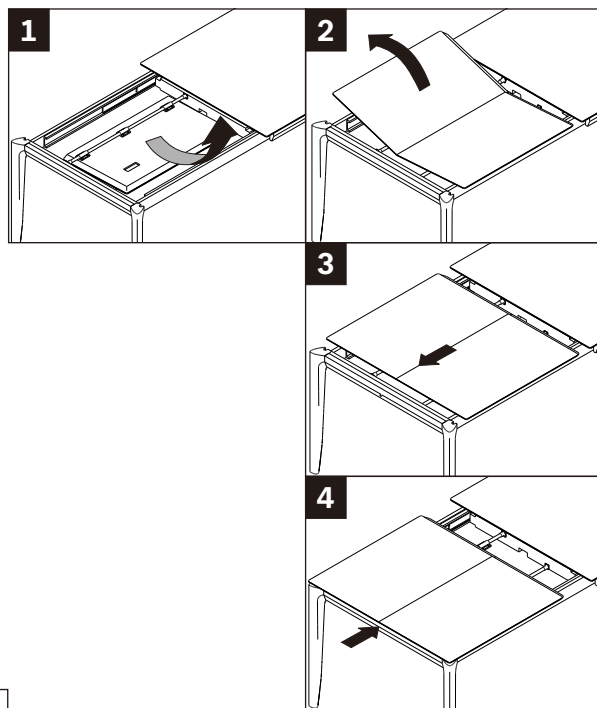
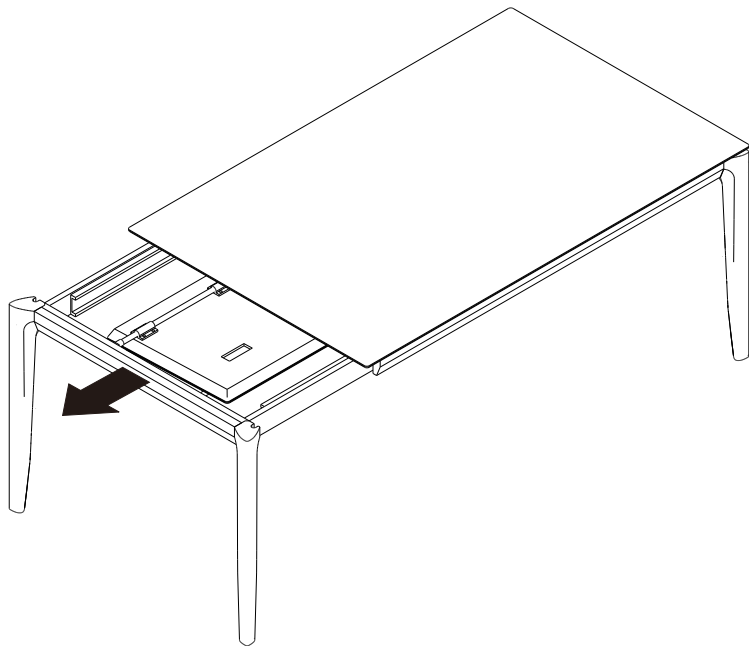


**D. INSTALLING SCREW IN THE MIDDLE SIDE**

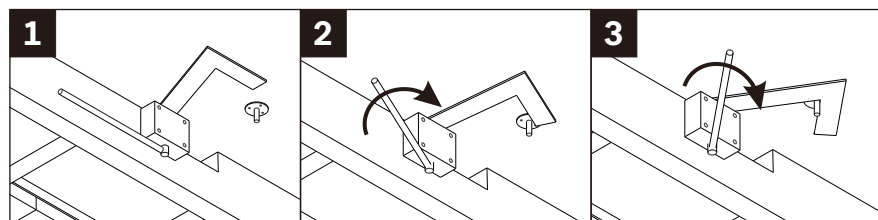


## 51494 OAK BOK EXTENDABLE DINING TABLE 200-300 / 100 / 76 ASSEMBLY INSTRUCTIONS FOR DINING TABLE INSTALLATION

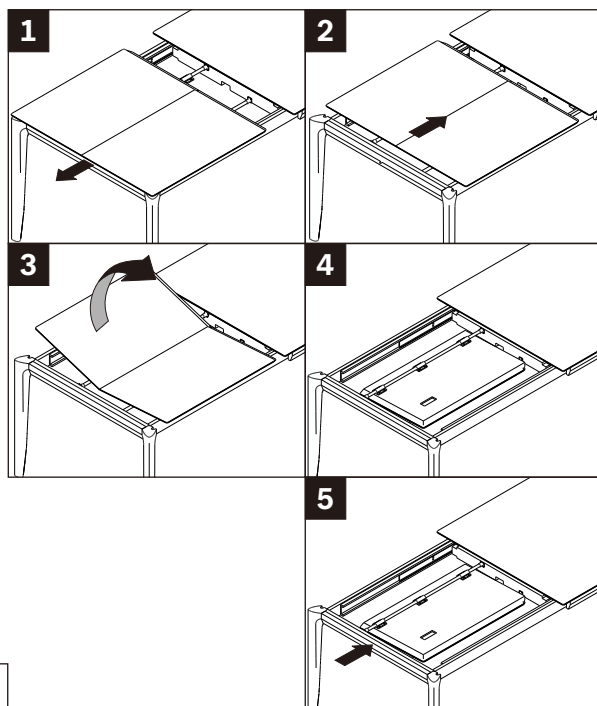
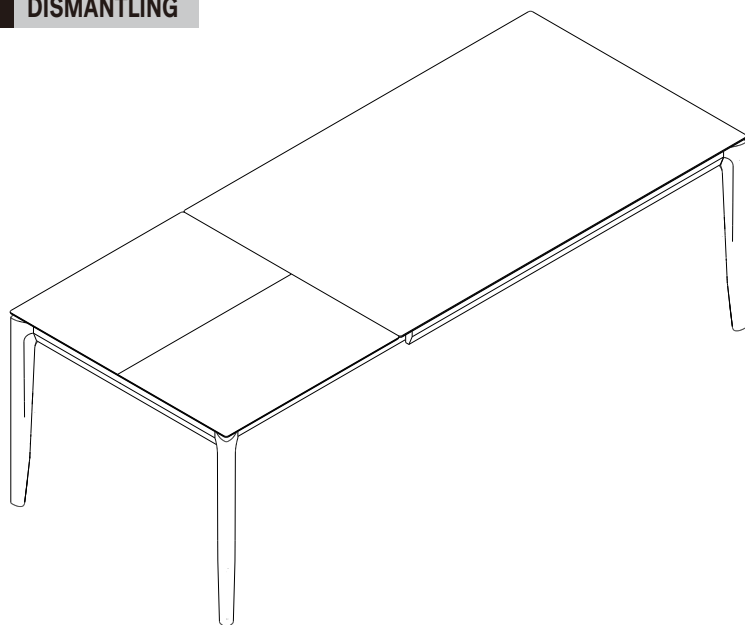
### E. EXTENDING



**NOTE: LOCK AFTER EXTENDING**



### F. DISMANTLING



**NOTE: UNLOCK BEFORE DISMANTLING**

