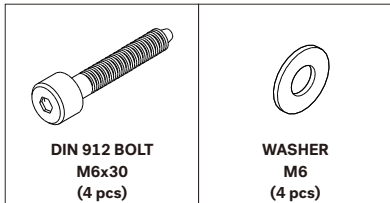


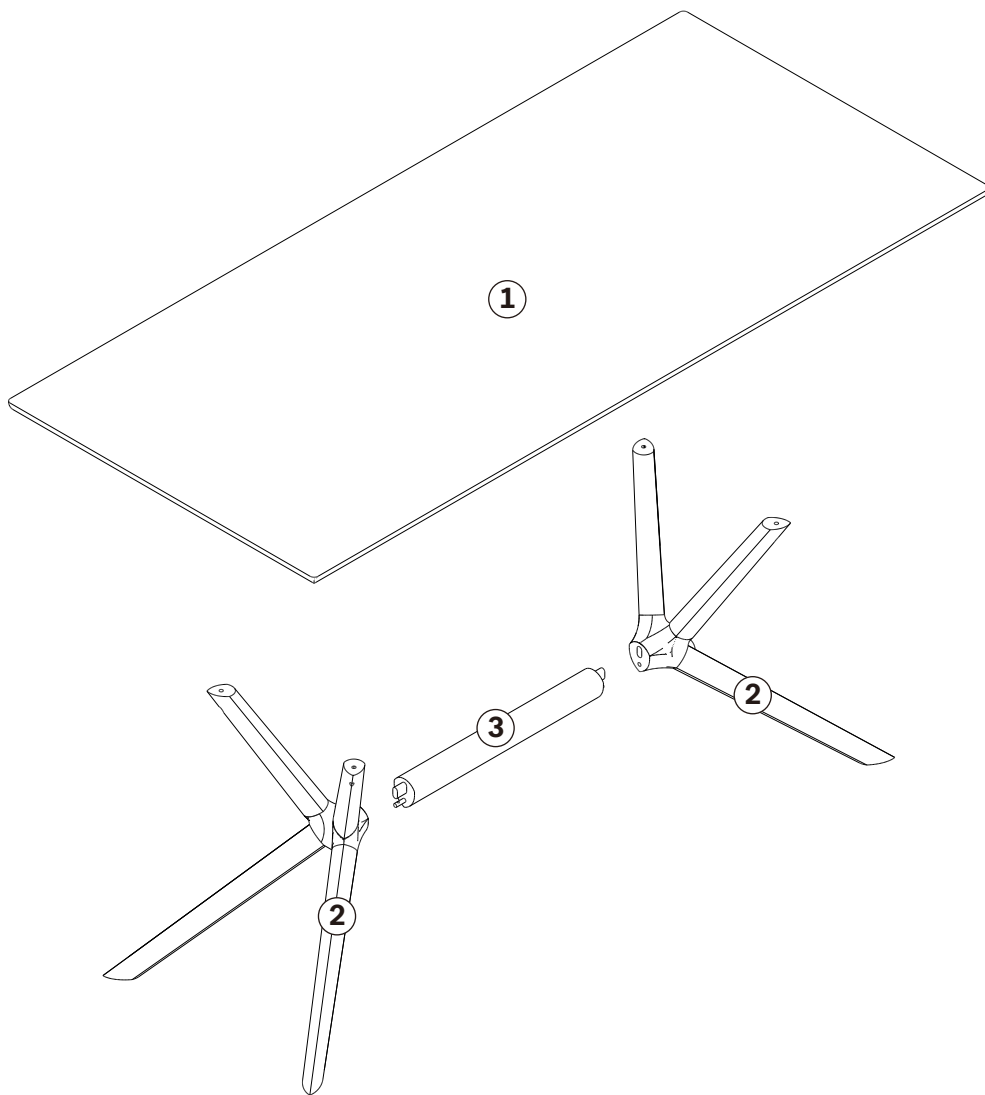
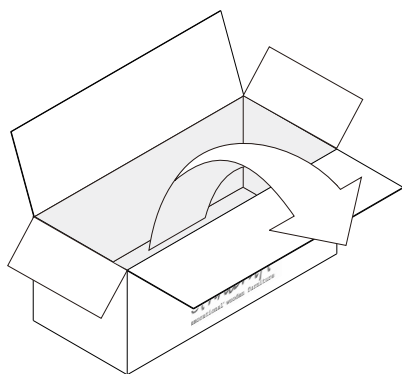
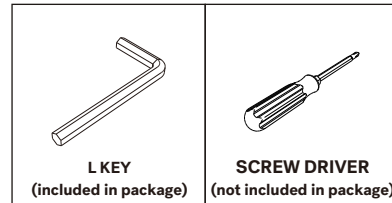
50028 OAK X DINING TABLE

ASSEMBLY INSTRUCTIONS FOR DINING TABLE INSTALLATION

HARDWARE ENCLOSED



TOOL



IN YOUR PACKAGE :

ASSEMBLY INSTRUCTION
HARDWARES (AS LISTED ABOVE)

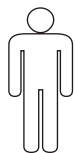
PARTS TO BE INSTALLED

1. TABLE TOP 1 pc
2. LEGS 2 pcs
3. STRETCHER 1pc

SYMBOLS



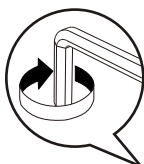
DIRECTION



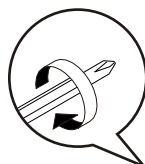
NUMBER OF
PERSONS NEEDED



USE HAND

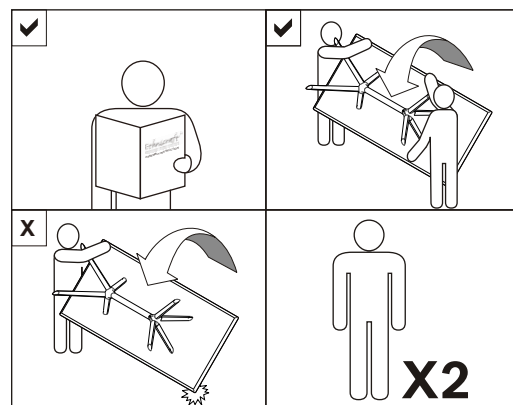


USE L KEY
TO TIGHTEN



USE SCREW DRIVER
TO TIGHTEN

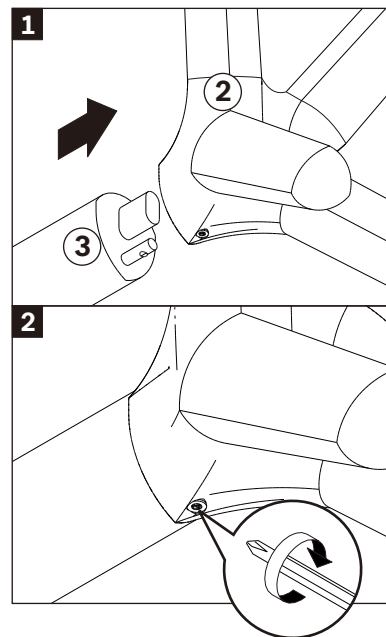
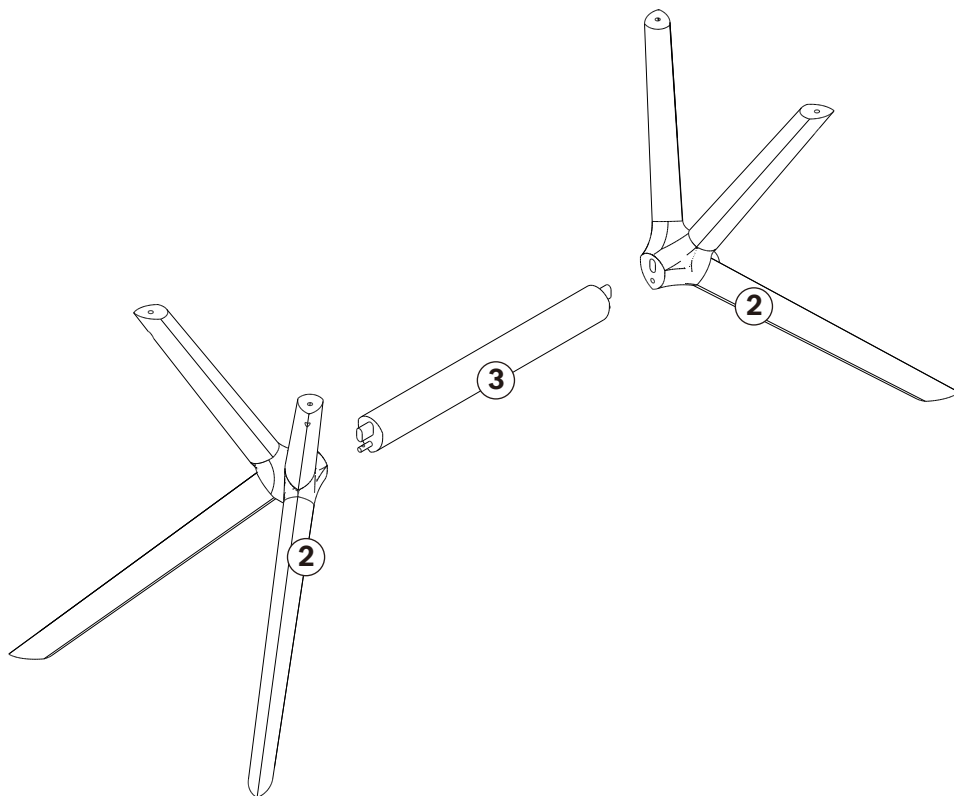
NOTICE



50028 OAK X DINING TABLE

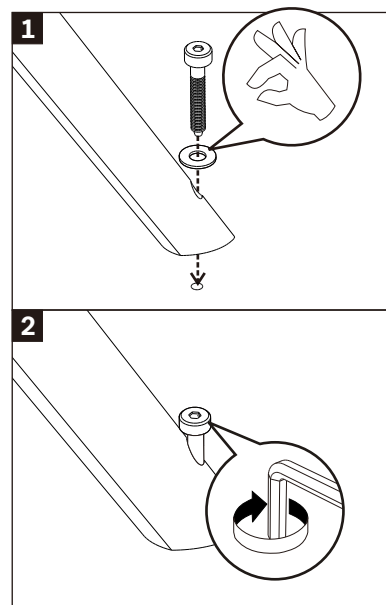
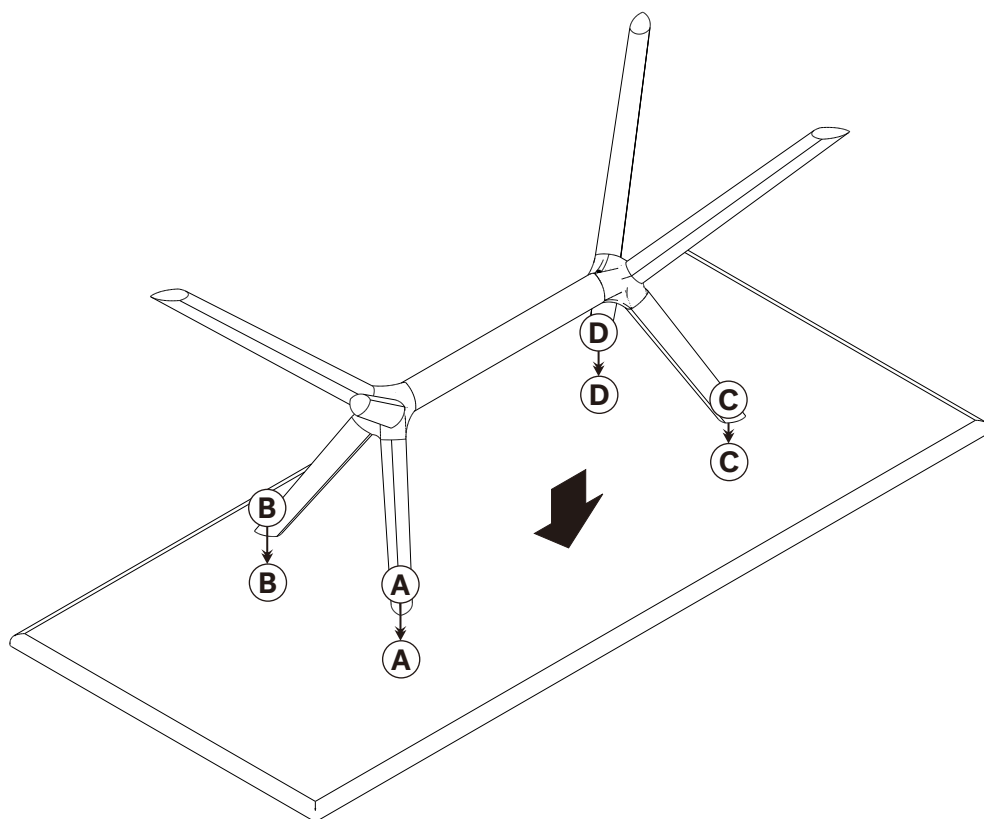
ASSEMBLY INSTRUCTIONS FOR DINING TABLE INSTALLATION

A INSTALLING STRETCHER TO THE LEGS



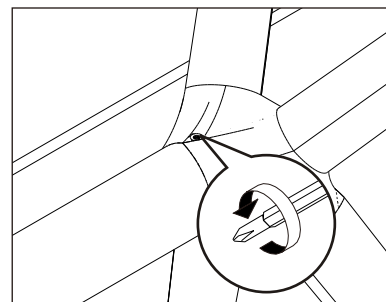
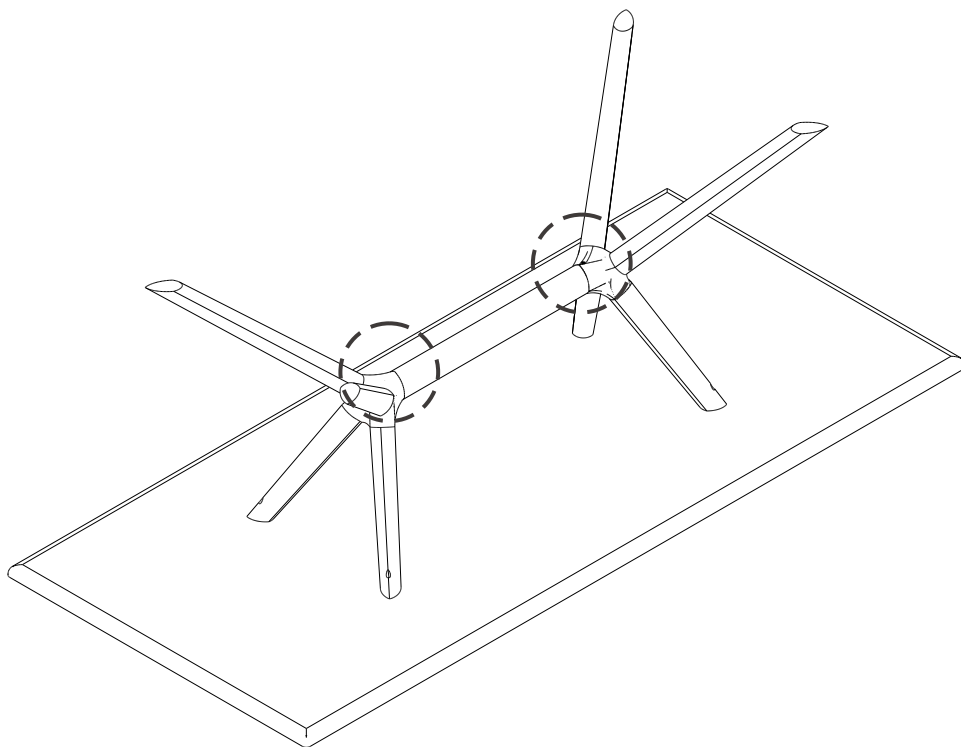
- ! - DO THE SAME STEP FOR THE OTHER LEG
- DO NOT TIGHTEN FULLY

B INSTALLING LEGS TO TABLE TOP



- ! - USE DIN 912 BOLT M6x30 (4X)
- USE WASHER M6 (4X)
- TIGHTEN FULLY

C RE-TIGHTEN THE SCREW



! - TIGHTEN FULLY

D FINISH

