

ANNULAR

ASSEMBLY INSTRUCTION

W0UD

THE ANNULAR PENDANT PAIRS ONE
PRIMARY FORM, A CONICAL SHADE,
WITH ANOTHER, A PERFECT RING OF
LIGHT AT THE FIXTURE'S PERIMETER.
WE DESIGNED THIS LIGHT WITH THE
INTENT OF CREATING AN OBJECT
THAT YOU WILL WANT TO LIVE WITH
FOR A LONG TIME.

A stylized, handwritten signature in black ink, consisting of the letters 'JCMS' in a fluid, cursive script.

MSDS STUDIO

TAKE CARE

**WE HAVE NOW HANDED OVER
ONE OF OUR DARLINGS TO YOU.
NOW IT IS YOURS. TAKE GOOD
CARE OF IT. YOU CAN READ THE
CARE INSTRUCTIONS FOR ALL
OUR MATERIALS AT OUR WEBSITE.**

WOUND.DK/TAKECARE

ASSEMBLY INSTRUCTION

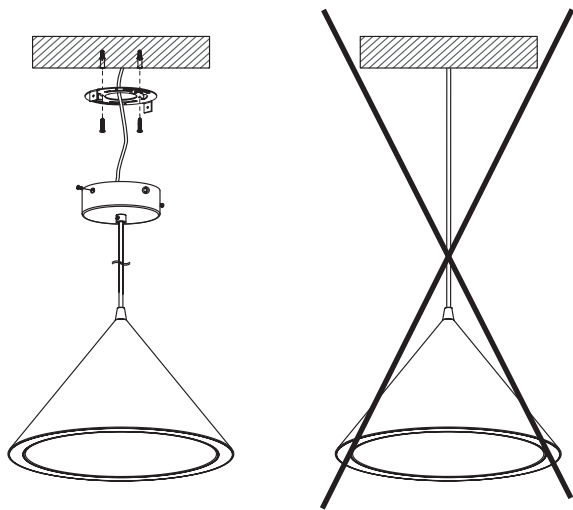
**PLEASE GO THROUGH THE FOLLOWING
STEPS CAREFULLY. RETAIN THIS MANUAL
FOR FUTURE REFERENCE TO ENSURE THAT
YOUR NEW ITEM IS CORRECTLY ASSEMBLED
IN CASE IT SHOULD BE DISASSEMBLED OR
MOVED. WE ARE NOT RESPONSIBLE FOR
ANY FAULTS OR DAMAGES CAUSED BY
NOT FOLLOWING THESE INSTRUCTIONS
CORRECTLY.**

TECHNICAL INFORMATION

**CHANGEABLE LED LIGHT SOURCE
LIFE EXPECTANCY: 50.000 HOURS
ENERGY CLASS: G**

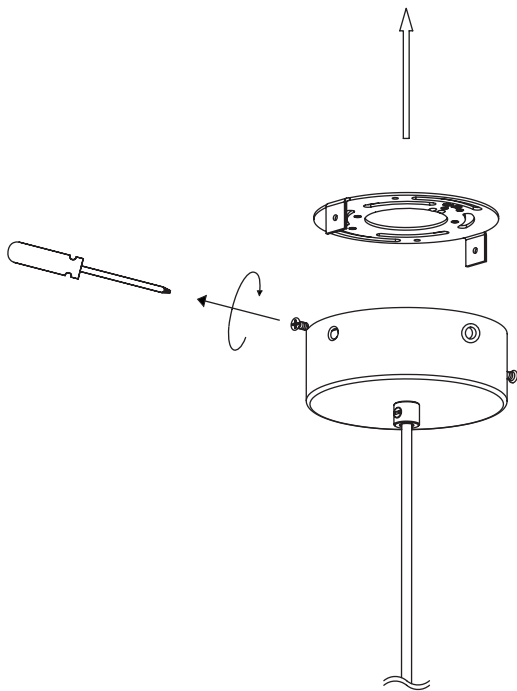
IMPORTANT!

DO **NOT** REMOVE CANOPY TO HANG PENDANT DIRECT FORM CEILING. THE LED DRIVER IS IN THE CANOPY AND IT WILL NOT WORK WITHOUT.



STEP 1

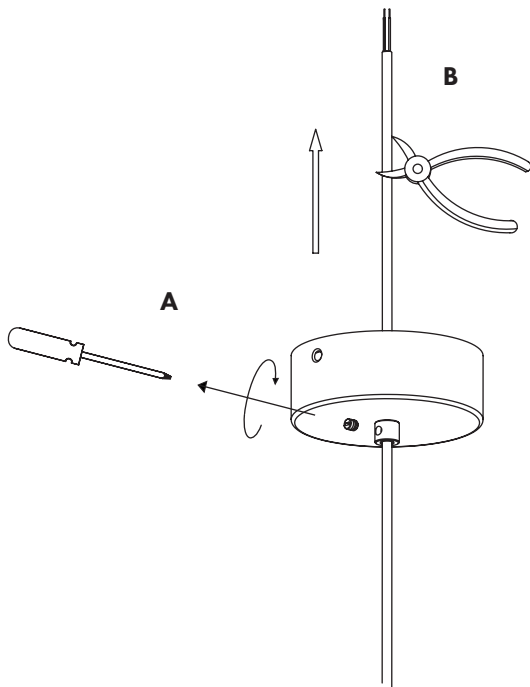
REMOVE SCREWS TO TAKE OFF THE BACK OF THE CANOPY.



STEP 2

A: REMOVE SCREWS.

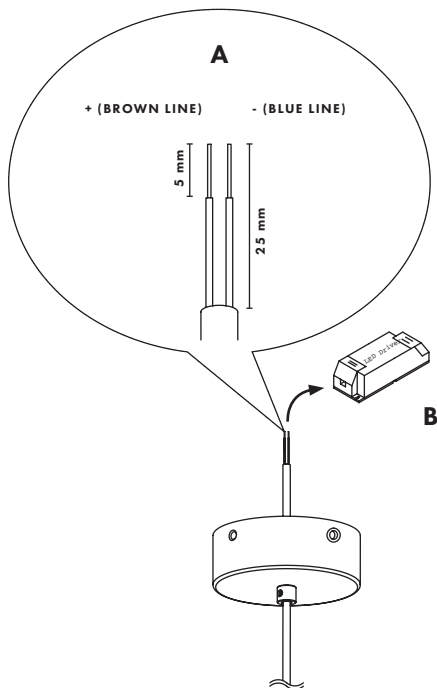
B: PULL WIRE AND CUT IN DESIRED LENGHT.



STEP 3

A: REMOVE PLASTIC FROM WIRE.

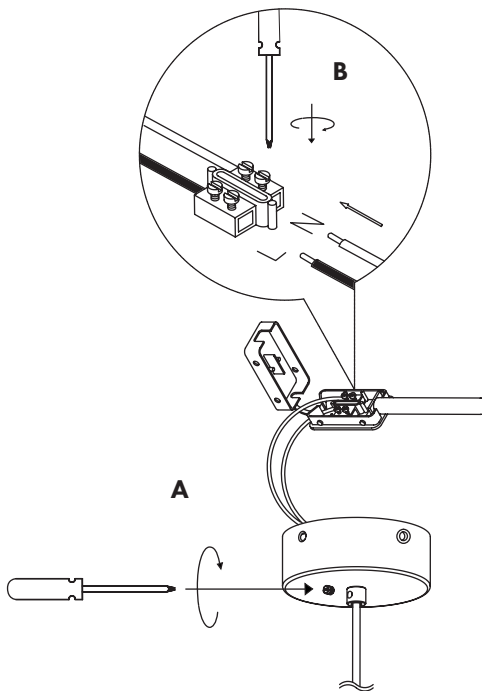
B: WIRE IS NOW READY TO BE CONNECTED TO LED DRIVER.



STEP 4

A: TIGHTEN SCREW.

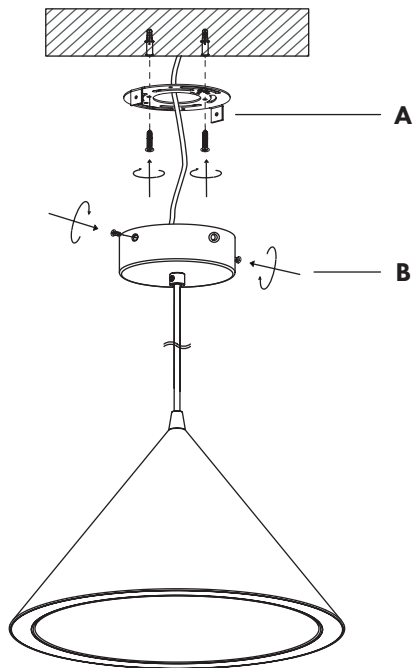
B: CONNECT WIRES IN LED DRIVER.



STEP 5

A: MOUNT THE CANOPY BRACKET USING WALL PLUGS AND SCREWS.

B: TIGHTEN SCREWS IN CANOPY.



SAFETY INSTRUCTIONS

**DISCONNECT POWER BEFORE
INSTALLATION OF THE LUMINAIRE.**

**IF THE EXTERNAL FLEXIBLE CABLE OR CORD OF THIS
LUMINAIRE IS DAMAGED, IT SHALL BE EXCLUSIVELY
REPLACED BY THE MANUFACTURER OR SIMILAR
QUALIFIED PERSON IN ORDER TO AVOID A HAZARD.**

THE LAMP IS ONLY INTENDED FOR INTERIOR USE.

LAMP EXTERIOR CAN GET HOT AFTER PROLONGED USE.

PROTECT FROM CONTACT WITH LIQUIDS.

**DO NOT PLACE THE CABLE IN REACH OF SMALL
CHILDREN OR ANYWHERE THERE IS A RISK OF
FALLING OVER IT.**

**WARNING: MUST BE INSTALLED BY
A LICENCED ELECTRICIAN.**

