

Audo

COPENHAGEN



FRAME 49 SIDEBOARD
Designed by *Søren Lassen*



FRAME 49 SIDEBORD WITH ONE DRAWER
Designed by *Søren Lassen*

Frame Sideboard is a flexible storage solution consisting of a square module in a cubistic frame with a cubistic black metal base. The simple storage system is inspired by the Kubus candleholder by Mogens Lassen, based on strict mathematical formulas and designed with the greatest precision. Whether standing alone or as a combination of modules, Frame Sideboard is a beautiful and functional storage solution. Place Frame Sideboard next to the sofa or bed, or use it as a classic spacious bookcase. The Frame module can also be separated from the cubistic Base for Frame and instead hung on the wall if your home needs a new touch, or to cater for changing storage needs. Frame Sideboard is available in different sizes and with one, two or three Drawers, featuring a soft-close system and hidden tracks.



PRODUCT OPTIONS

Material



DARK GREY

LIGHT GREY



FJORD

SAND



WHITE

OAK



BLACK STAINED ASH

SMOKED OAK

Frame



BLACK ALUMINIUM

PRODUCT TYPE
Storage system

COLLI
1

ENVIRONMENT
Indoor

DIMENSIONS
H: 72 cm / 28,3"
W: 49 cm / 19,3"
D: 42 cm / 16,5"

PRODUCTION PROCESS

The frame is made from 6mm steel profiles to strengthen the construction of the frame. The profiles are mounted with zinc casted corners and afterward the frame is grinded to obtain a smooth finish before the frame is powder coated. The plates are made from a MDF core with a melamine or veneer surface. The base is a welded, shotblasted steel frame with silver brazed corners to make the edges sharp and nice. Lastly the frame is painted with a black powder coated finish. The drawer is made from plywood and covered with black foil. The bottom is made from black painted MDF. The tracks are made from steel and has a soft-close system. The handle is made from aluminum with powder coated black finish.

TECHNICAL SPECIFICATIONS

COLOURS

Material

Dark Grey

Light Grey

Fjord

Sand

White

Oak

Black Stained Ash

Smoked Oak

Frame

Black (RAL 9005)

MATERIALS

Aluminium, MDF with melamine or ash/oak veneer

WEIGHT

16,354 kg / 36,05 lb

PACKAGING TYPE

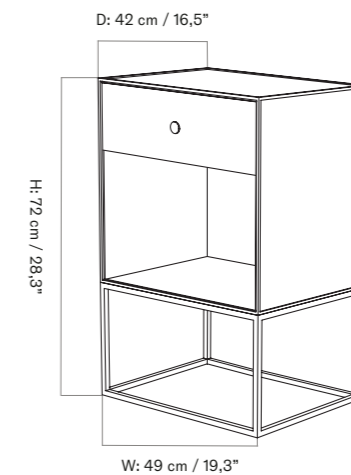
Brown box

PACKAGING MEASUREMENTS

(H × W × D)
115 cm × 60 cm × 80 cm /
45,3" × 23,6" × 31,5"

MATERIALS & MAINTENANCE

Please visit audocph.com for materials, care and maintenance instructions.





FRAME 49 SIDEBORD WITH THREE DRAWERS
Designed by *Søren Lassen*

Frame Sideboard is a flexible storage solution consisting of a square module in a cubistic frame with a cubistic black metal base. The simple storage system is inspired by the Kubus candleholder by Mogens Lassen, based on strict mathematical formulas and designed with the greatest precision. Whether standing alone or as a combination of modules, Frame Sideboard is a beautiful and functional storage solution. Place Frame Sideboard next to the sofa or bed, or use it as a classic spacious bookcase. The Frame module can also be separated from the cubistic Base for Frame and instead hung on the wall if your home needs a new touch, or to cater for changing storage needs. Frame Sideboard is available in different sizes and with one, two or three Drawers, featuring a soft-close system and hidden tracks.



PRODUCT OPTIONS

Material



DARK GREY

LIGHT GREY



FJORD

SAND



WHITE

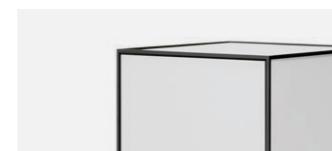
OAK



BLACK STAINED ASH

SMOKED OAK

Frame



BLACK ALUMINIUM

PRODUCT TYPE
Storage system

COLLI
1

ENVIRONMENT
Indoor

DIMENSIONS
H: 72 cm / 28,3"
W: 49 cm / 19,3"
D: 42 cm / 16,5"

PRODUCTION PROCESS

The frame is made from 6mm steel profiles to strengthen the construction of the frame. The profiles are mounted with zinc casted corners and afterward the frame is grinded to obtain a smooth finish before the frame is powder coated. The plates are made from a MDF core with a melamine or veneer surface. The base is a welded, shotblasted steel frame with silver brazed corners to make the edges sharp and nice. Lastly the frame is painted with a black powder coated finish. The drawer is made from plywood and covered with black foil. The bottom is made from black painted MDF. The tracks are made from steel and has a soft-close system. The handle is made from aluminum with powder coated black finish.

TECHNICAL SPECIFICATIONS

COLOURS

Material

Dark Grey

Light Grey

Fjord

Sand

White

Oak

Black Stained Ash

Smoked Oak

Frame

Black (RAL 9005)

MATERIALS

Aluminium, MDF with melamine or ash/oak veneer

WEIGHT

16,354 kg / 36,05 lb

PACKAGING TYPE

Brown box

PACKAGING MEASUREMENTS

(H x W x D)
115 cm x 60 cm x 80 cm /
45,3" x 23,6" x 31,5"

MATERIALS & MAINTENANCE

Please visit audocph.com for materials, care and maintenance instructions.

