



GAZZDA

Mu Coffee Table

Product sheet

design by
Mustafa Čohadžić



Mu Coffee Table

Product facts

Materials

Body	Solid oak
Finish	Hardwax oil

Technical features

Body

The Mu Coffee Table is fully made out of solid wood - oak. The table plate has a subtle raised edge which function is to prevent objects from rolling off. The plate has wooden stiffeners at the bottom side of the plate which prevents minor changes in the dimensions of the wooden parts over time due to the hygroscoy.

Legs

Table legs are demountable and are also made out of solid wood - oak.

Finish

Available in three plant-based Hardwax oil finishes (colours), which retain the wood's natural state, as a white, natural and smoked oil.

Cleaning

Please see [Product](#) or [Material](#) page on our website.

Notes to consider

Variations

Natural variations in wood color and surface may occur. Regular maintenance will ensure the wood preserves its authentic beauty and can last for generations.

Product changes

Please note that Gazzda reserves the right to alter construction and design without notice.

Dimensions (tolerances)

The dimensions shown are indicative, they may vary due to the natural properties of wood, season, or manufacturing processes. Deviations from the specified size may occur, usually no more than 1 cm.

For all additional inquiries regarding Mu Coffee Table please feel free to [contact us](#).

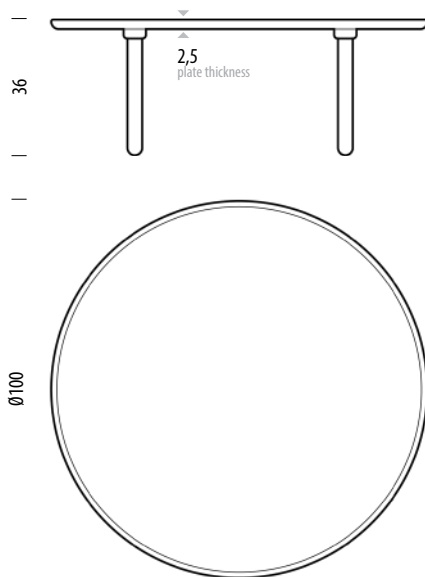
Mu Coffee Table Ø100

Body Solid oak

Version: 6-2-2024

Basic info

Design	Mustafa Čohadžić
Product size	W: Ø100, , H: 36
Packaging	W: 105, D: 113, H: 8
Volume	0,1 m ³
Net weight	14,1 kg
Gross weight	17,5 kg



Item no. 584

Assembly 5 min / 1 person

Plate	Thickness (cm)
	2,5

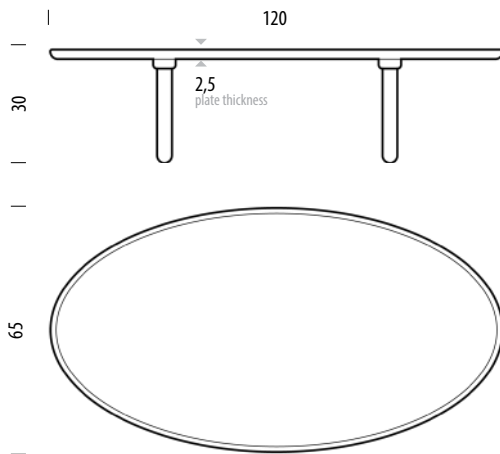
Mu Coffee Table 120 x 65

Body Solid oak

Version: 6-2-2024

Basic info

Design	Mustafa Čohadžić
Product size	W: 120, D: 65, H: 30
Packaging	W: 125, D: 77, H: 8
Volume	0,08 m ³
Net weight	10,8 kg
Gross weight	13,8 kg



Item no. 582

Assembly 5 min / 1 person

Plate	Thickness (cm)
	2,5

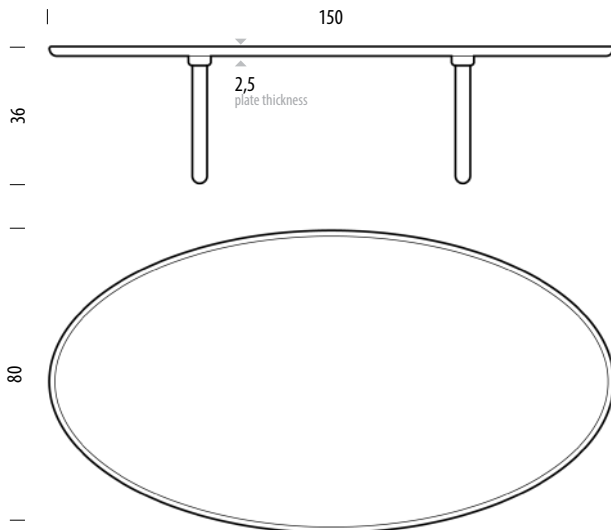
Mu Coffee Table 150 x 80

Body Solid oak

Version: 6-2-2024

Basic info

Design	Mustafa Čohadžić
Product size	W: 150, D: 80, H: 36
Packaging	W: 155, D: 93, H: 8
Volume	0,12 m ³
Net weight	15,5 kg
Gross weight	19,5 kg



Item no. 583

Assembly 5 min / 1 person

Plate

Thickness (cm)

2,5

Mu Coffee Table

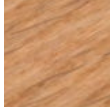
Available materials

Version: 6-2-2024

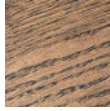
Body | Solid oak



Oiled
1015
White oil



Oiled
1505
Natural oil



Oiled
163
Smoked oil