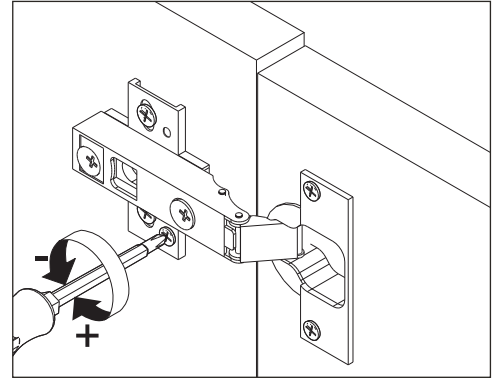
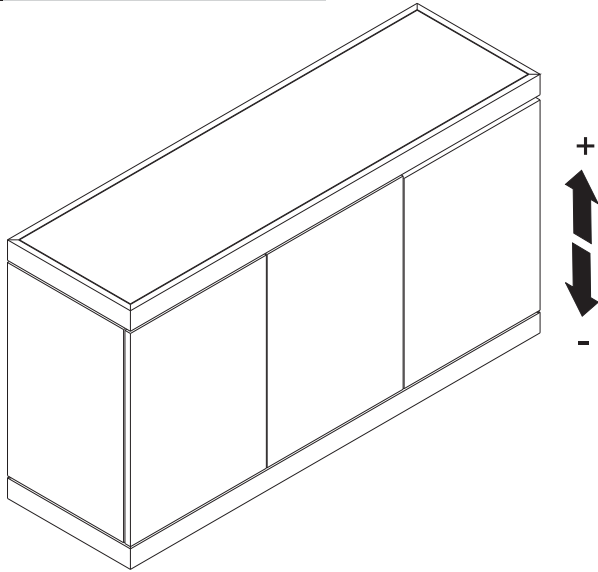
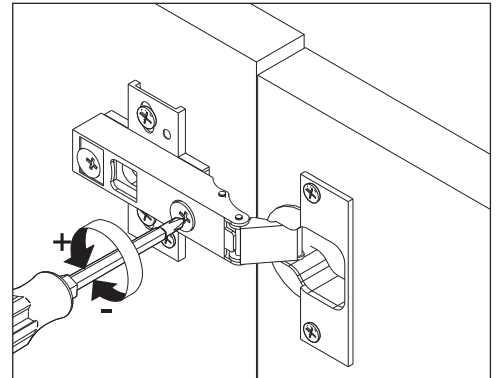
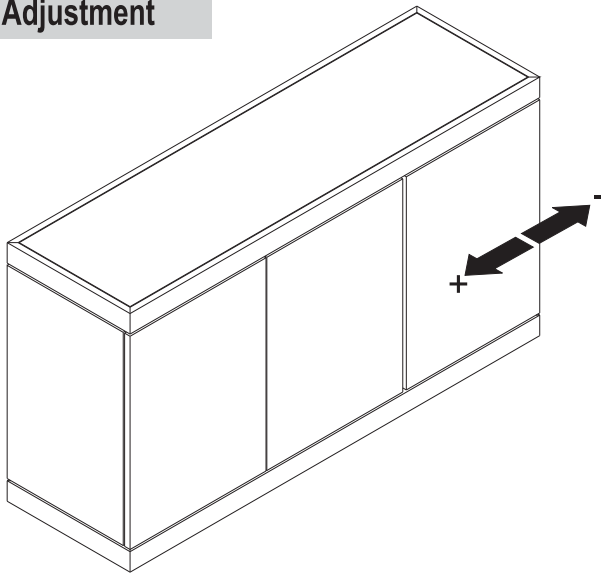


ASSEMBLY INSTRUCTION FOR HINGE ADJUSTMENT

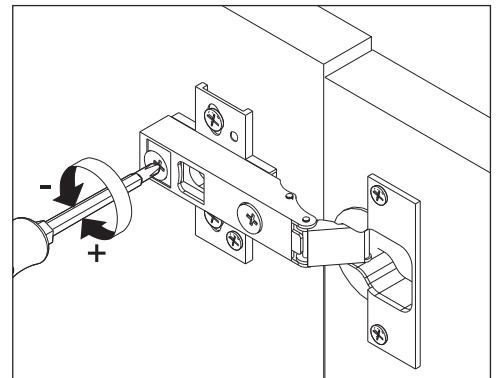
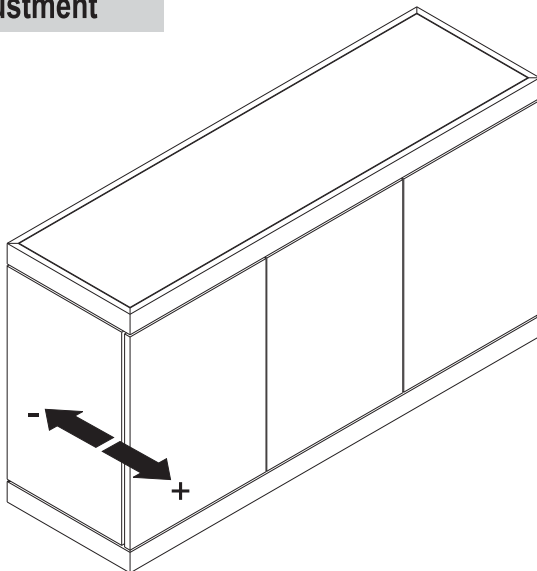
**A. Vertical Adjustment**



**B. Horizontal Adjustment**

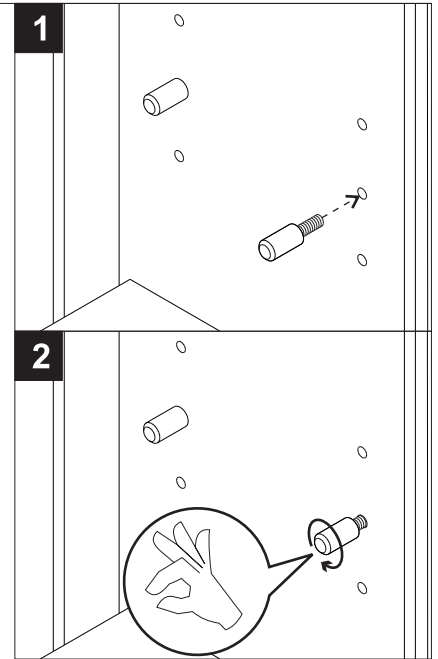
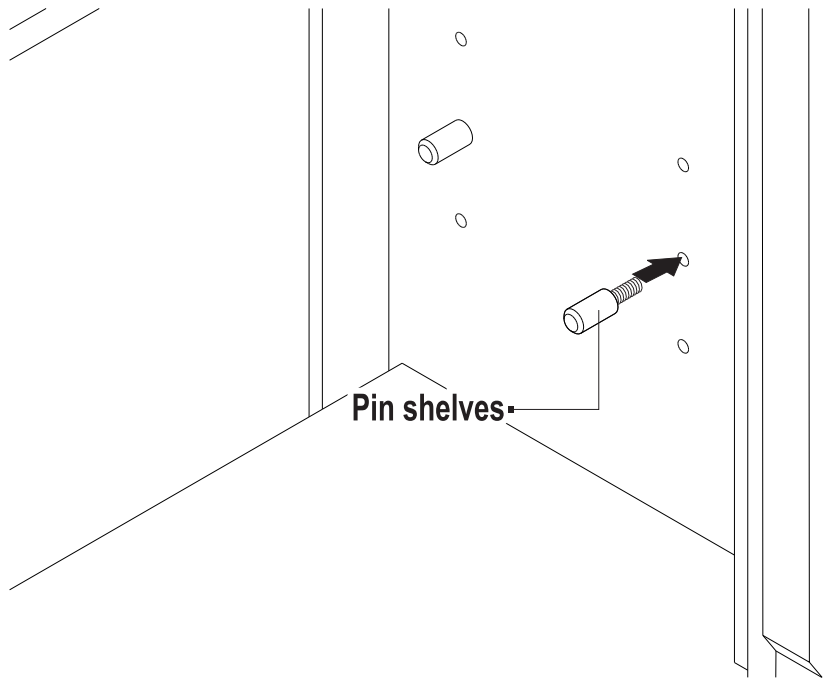


**C. Depth Adjustment**



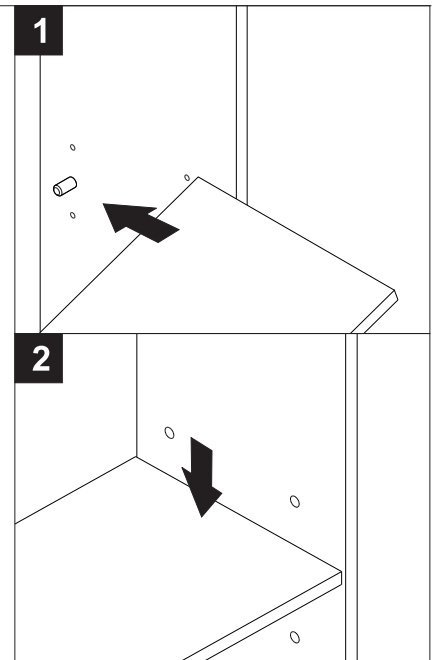
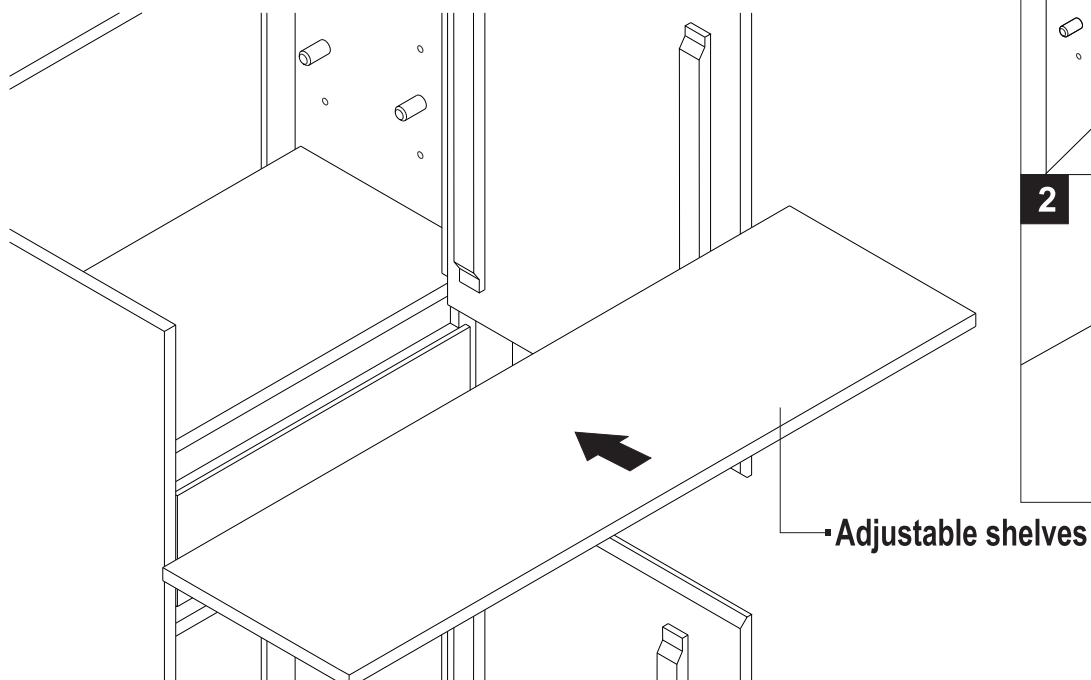
ASSEMBLY INSTRUCTION FOR PIN SHELVES INSTALLATION

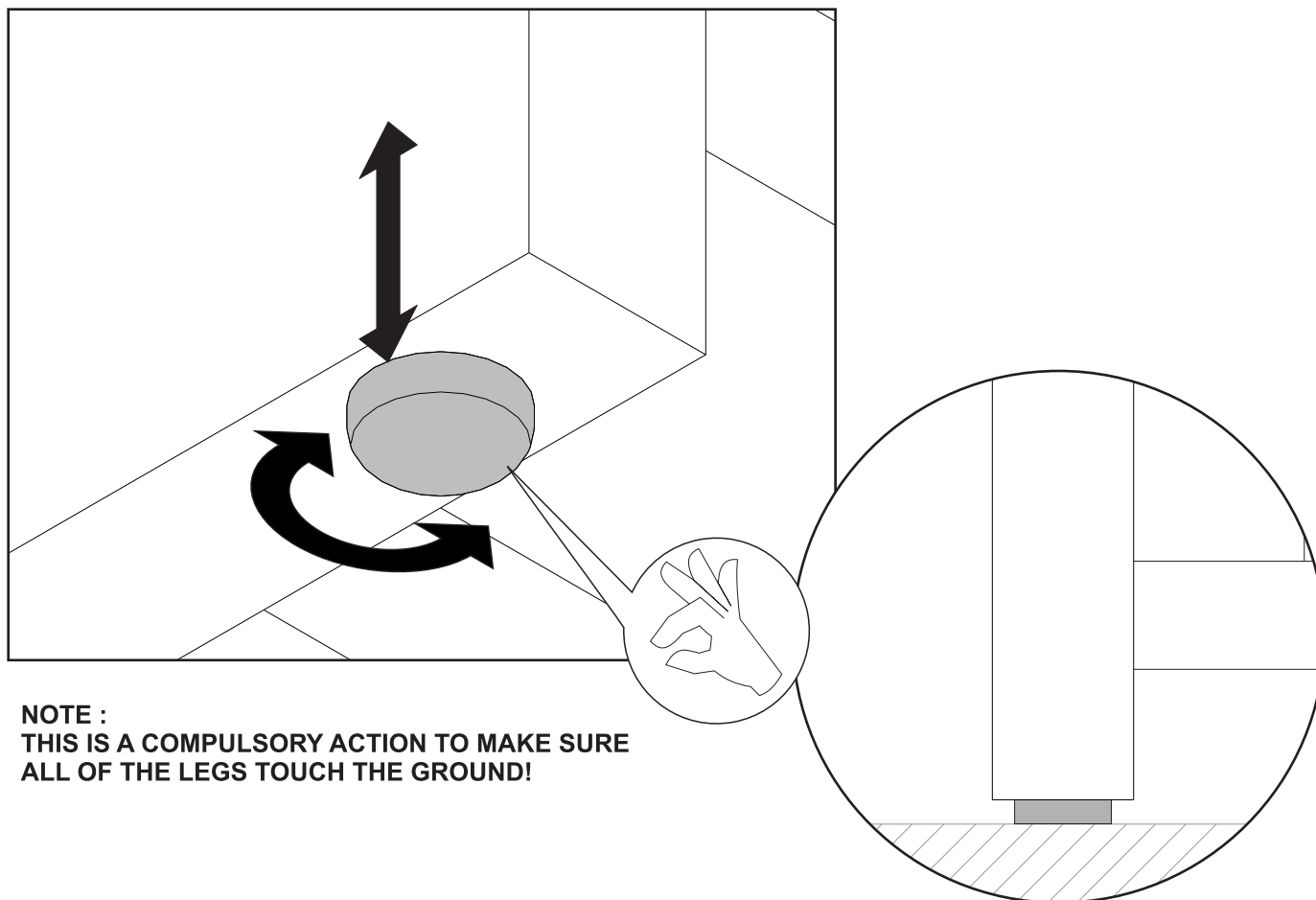
**A. Installing the Pin Shelves**



**Note :**  
Choose The Desired Shelf Height  
(Bottom, Middle or Top)

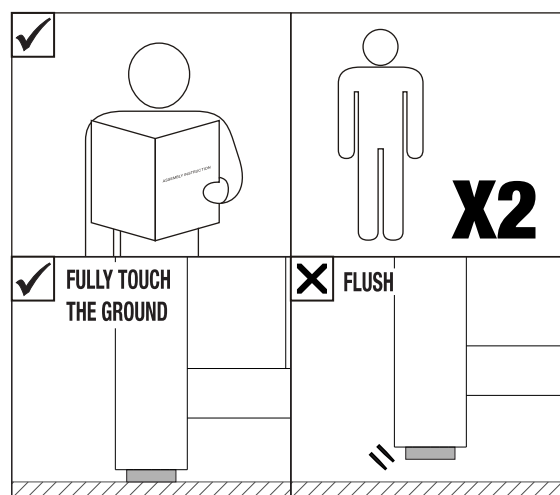
**B. Installing Shelves**



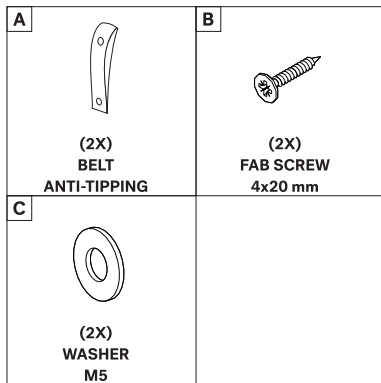


**NOTE :**  
**THIS IS A COMPULSORY ACTION TO MAKE SURE**  
**ALL OF THE LEGS TOUCH THE GROUND!**

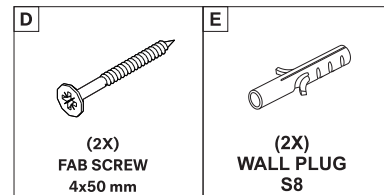
### NOTICE



### HARDWARE ENCLOSED



### HARDWARE REQUIRED (Not included in package)



### TOOLS REQUIRED (Not included in package)



AS WALL MATERIALS VARY, WALL PLUG FOR FIXING TO WALL ARE NOT INCLUDED.  
FOR ADVICE ON SUITABLE SCREW SYSTEMS, CONTACT YOUR LOCAL SPECIALISED DEALER.  
SEEK THE PROFESSIONAL ADVICE IF YOU ARE NOT FAMILIAR WITH THIS TYPE OF INSTALLATION OR HAVE ANY SAFETY DOUBTS UNDERTAKING THE TASK.

### INSTALLING ANTI-TIPPING SYSTEM



## ! WARNING

Serious or fatal crushing injuries can occur from this product tip-over.

Children have died from furniture tipover.

#### To help prevent tip-over:

Always install the anti-tipping system provided with this product.

Place heaviest items in the lowest drawers or shelves.

Do not hang or place objects on top of this product if its height is higher than 150cm

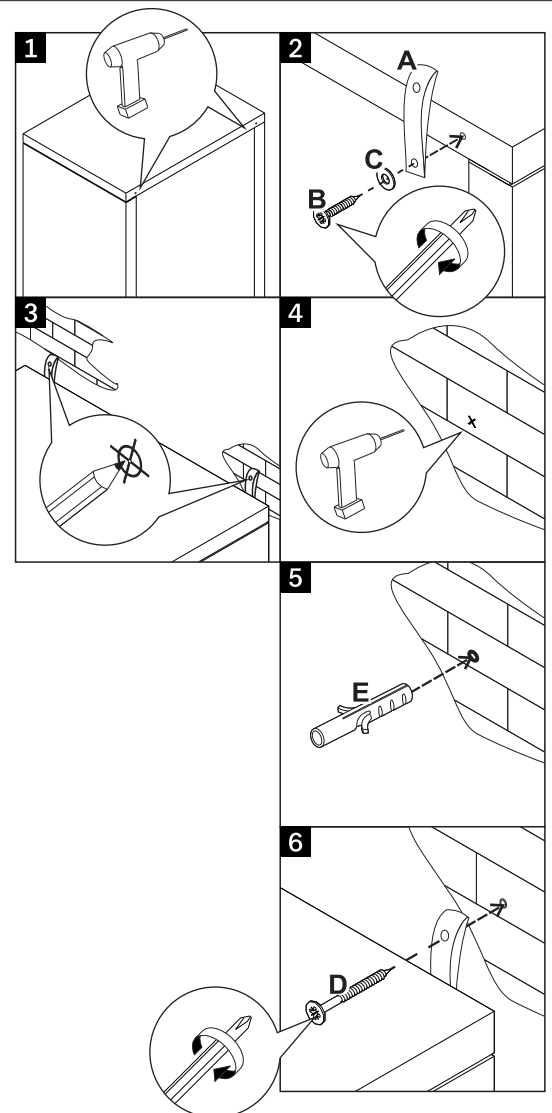
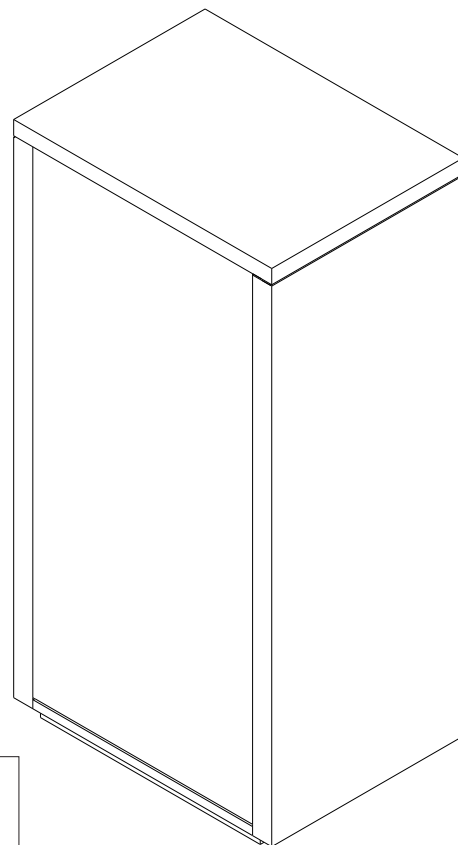
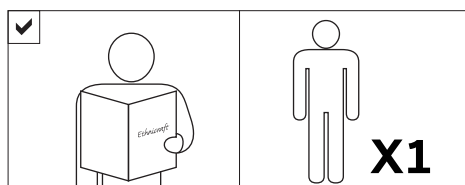
Never allow children to stand, climb or hang on drawers, doors, or shelves.

Never open more than one drawer at a time.

Do not lean or push against this product.

**NOTE: Use of tip-over restraints may only reduce, but not eliminate, the risk of tip-over.**

### NOTICE



### INSTRUCTIONS

1. Use an power drill to make an appropriately sized holes in the top left and right of the back frame of the item.
2. Install the anti-tipping belts (A), washers(C) with 4x20 mm screws (B) into the pre-drilled holes on the top back frame of the item (left and right).
3. Using a 1/4" diameter drill bit, drill the wall at the same level as the anti-tipping belts (A) on the item. Install the wall plugs (E) into the holes.
4. Connect the anti-tipping belts (A) with the FAB screws (D) into the wall plugs (E).